

Vaya LED Spot / LED射灯

BGP310 3LED RGB / BGP311 3LED RGB

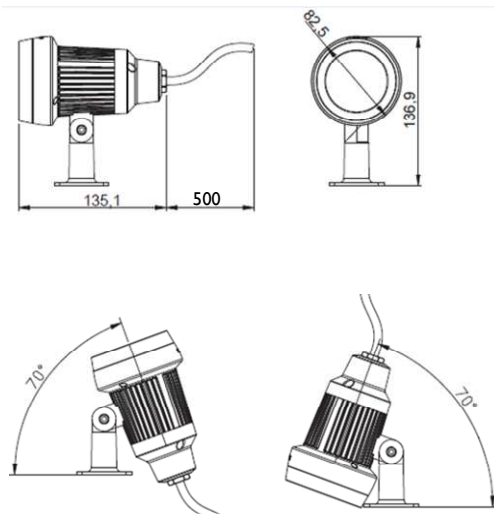
Mounting instruction/ 安装说明

444100019201



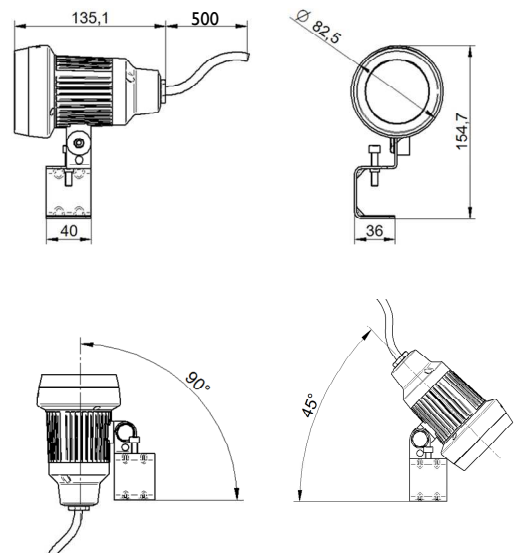
Type Number 产品型号	LEDS 颗粒数	Power 功率	Voltage 电压	Class 电器等级	IK level IK等级	kg
BGP310 3LED RGB MB	3	6.6 W	DC24V	III	08	0.7
BGP310 3LED RGB NB	3	6.6 W	DC24V	III	07	0.7
BGP311 3LED RGB MB	3	6.6 W	DC24V	III	08	0.75
BGP311 3LED RGB NB	3	6.6 W	DC24V	III	07	0.75

BGP310 3LED RGB



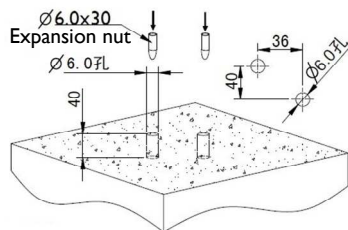
Unit: mm
单位: mm

BGP311 3LED RGB



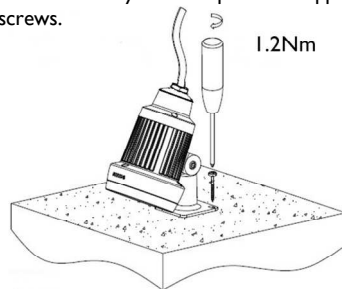
A 表面安装 Surface mounting

打安装孔，预埋两个膨胀管。
Drill holes, and insert two plastic expansion nuts.

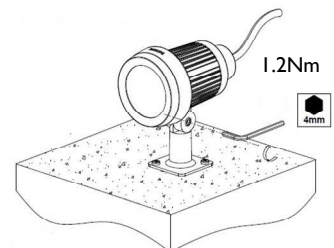


NOTE: 膨胀管规格 06×30 mm, 自攻螺丝规格 SUS304 ST3.5 \times 32mm.
Expansion tube size: 06×30 mm; tapping screw size: SUS304 ST3.5 \times 32mm.

使用两颗自攻螺丝固定灯具。
Fix luminaire by two sharp corner tapping screws.

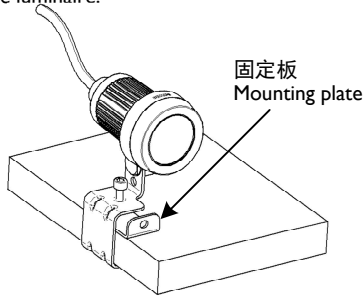


设置灯具投射角度，然后固定。
Set the projecting angle, and then lock the angle.

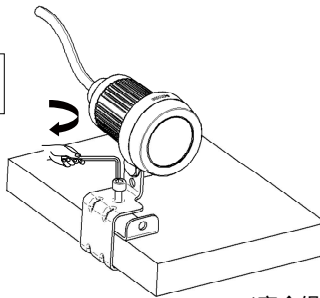


B 夹子安装 Clip mounting

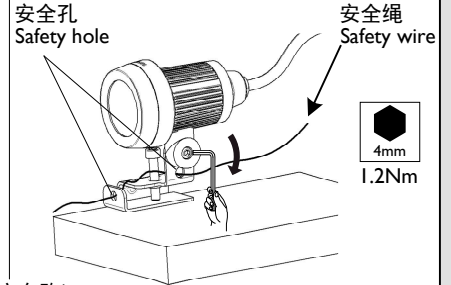
将固定板置于薄板上，再将灯具安置于其上。
Put mounting plate on the thin solid, and then set the luminaire.



锁紧螺丝，充分紧固。
Fully tighten the screws.



设置灯具投射角度，然后固定。
Set the projecting angle, and then lock the angle.

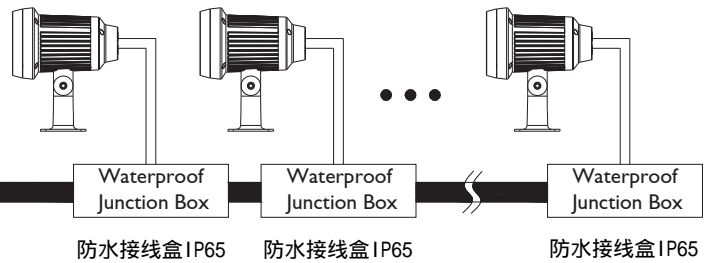


NOTE: 推荐用户采用安全绳穿过夹子和固定板上的安全孔(Ø7mm)，用作安全保护。(安全绳客户自购)
Recommend end user use safety wire through the safety hole(Ø7mm) of clip and mounting plate for safety protection.
Safety wire prepared by end user.

RGB 颜色灯具接线 RGB color fixtures wiring

Suggest to use power PS100建议使用PS100电源
X Luminaires can be supported under one PS100 Power
单个PS100电源可以驱动的灯具数量
BGP310 3LED RGB/BGP311 3LED RGB 12

Power input DC24V
电源输入 DC24V
Data input(DMX)
信号输入(DMX)



NOTE: 用户自购IP65防水接线盒，其内部应有导线固定装置

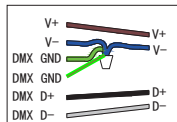
IP65 waterproof junction box should contain cable clamp to ensure a complete IP65 system.
Prepared by end user.

Luminaire Cable
60245IEC57(YZW)
H05RN-F, 4x1.0mm²



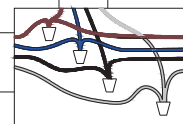
DMX GND should connected with Power V-
DMX的地线必须和电源的负极相连

V+, V- wires from PS100
V+, V- 电缆出自PS100电源



DMX wires (GND D+ D-) from DMX controller
DMX电缆(GND D+ D-)出自DMX控制器

Cable From Fixture
灯具电缆, 接灯具



Cable to next
灯具电缆, 至下一个灯具

NOTE:

- 1.针对DMX输入，ESTA标准如下：橙色（DMX D-），白色-橙色（DMX D+），棕色和白棕色（DMX GND）
若使用Philips iplayer3 控制器，则输入为：橙色（DMX D+），白色橙色（DMX D-），绿色和白绿色（DMX GND）
For DMX input ESTA standard is orange(DMX D-), white-orange(DMX D+), brown and white-brown(DMX GND)
If use Philips' iplayer3 controller,input is orange(DMX D-), white-orange(DMX D+), green and white-green(DMX GND)

2. 从DMX源到灯串最后一个灯具的DMX数据传输距离为100米，若不使用放大器或中继器，最多可安装32个灯具
Maximum DMX data run from DMX source to last fixture in chain is 100m, maximum 32 fixtures unless booster or repeater is used.

- 3.针对RGB灯具，如有需要，请使用RDM地址设备（如Philips Address Kit）为灯具定位
Address fixture using RDM device(such as Philips Address Kit) for RGB type

4. 接线方式取决于当地电气法规及规定，一般使用螺纹旋紧型导线连接器或螺钉接线端子
The wire connection method is determined by local electrical codes and regulations, typically either wire nuts or screws terminal blocks.

5. 在使用指定电源型号（PS100）灯具已通过CE EMC参考2004/108/EC,如果使用其他电源型号：

- 1) 灯具可能产生有害的电磁干扰
- 2) 灯具可能受到外界的电磁干扰

This device complies with CE EMC directive 2004/108/EC,while using adaptor(model :PS100),if use with improper adaptor:

- 1) This device may cause harmful interference
- 2) This device may be influenced by any interference received



1. The luminaire shall be installed by a qualified electrician and wired in accordance with the latest IEE electrical regulations or the national requirements.
灯具应由有资格的电工安装，接线要符合IEE电气标准或国家标准。

2. Do not switch on before complete installation.
接线过程中，切勿通电。

3. The external cable of this luminaire can not be replaced, if the cord is damaged, the luminaire shall be destroyed.
此灯具外部线缆或软线不能替换；如果软线损坏，该灯具即报废。



4. This luminaire can only be used in C1 C2 C3 environment, defined by ISO 12944-2.
该灯具只适用于ISO 12944-2定义的C1 C2 C3类环境。

5. Chemical fertilizer, pesticide and other corrosive materials may cause corrosion to luminaire.
化肥、农药等腐蚀性化学物质可能会对灯具壳体造成腐蚀。