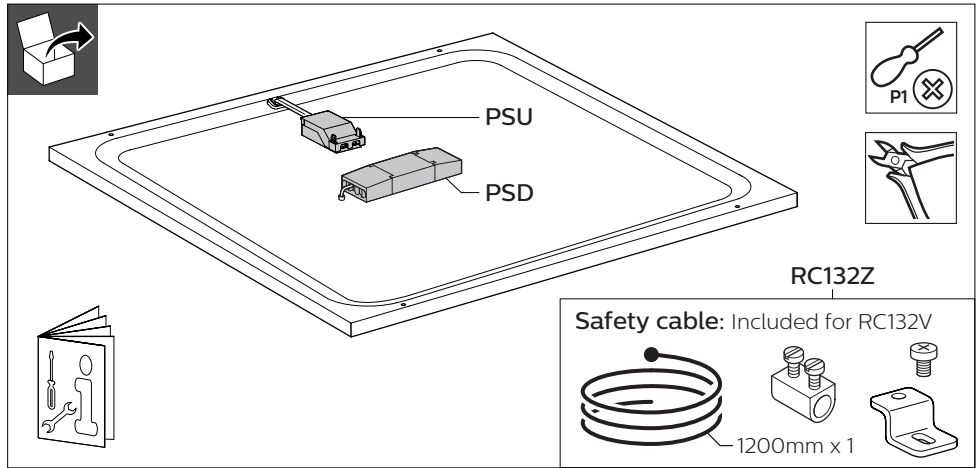


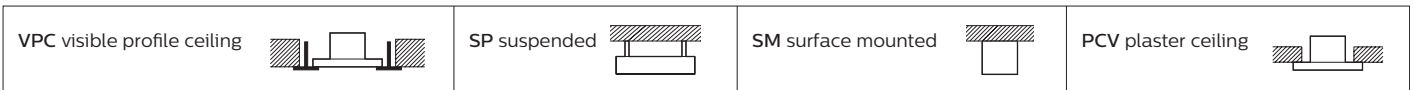
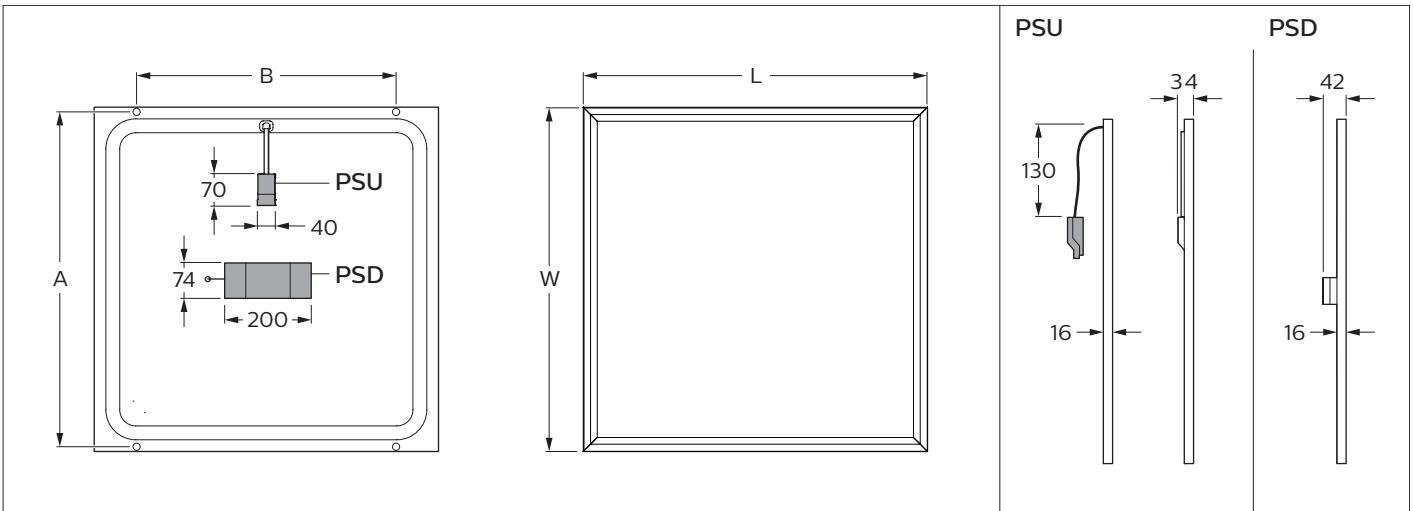
# PHILIPS

## CoreLine Panel

### RC132V/RC133V



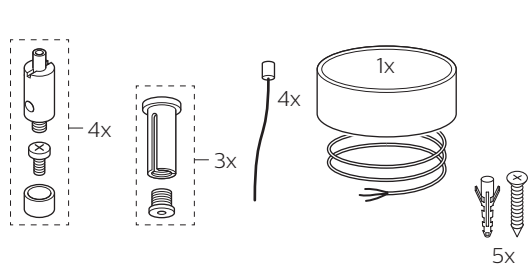
	Lumen (lm)		Power (W)		W x L (mm)	A x B (mm)	Weight (kg)	
	4000K	3000K	PSU	PSD			PSU	PSD
RC132V W30L60	1800	-	16	-	297 x 597	281 x 450	1.5	-
RC132V W60L60					597 x 597	581 x 450	2.7	2.8
RC132V W30L120	3600	3400	33	35	297 x 1197	281 x 1050	2.7	2.8
RC133V W62L62					622 x 622	606 x 475	2.8	2.9



**Optional:**

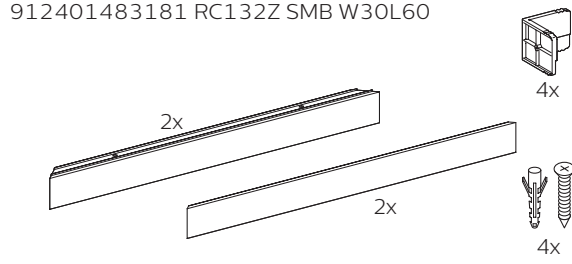
**Suspension kit:**

- 912401483179 RC132Z SME-3 WH
- 912401483180 RC132Z SME-4 WH



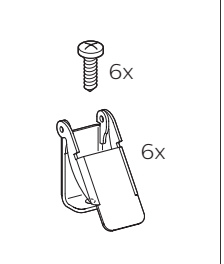
**Surface mounted kit:**

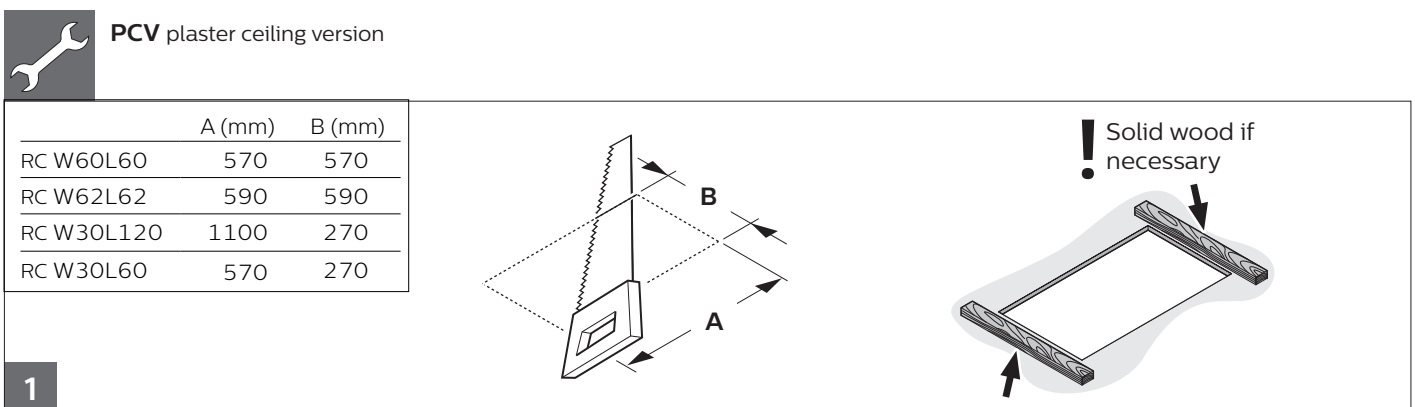
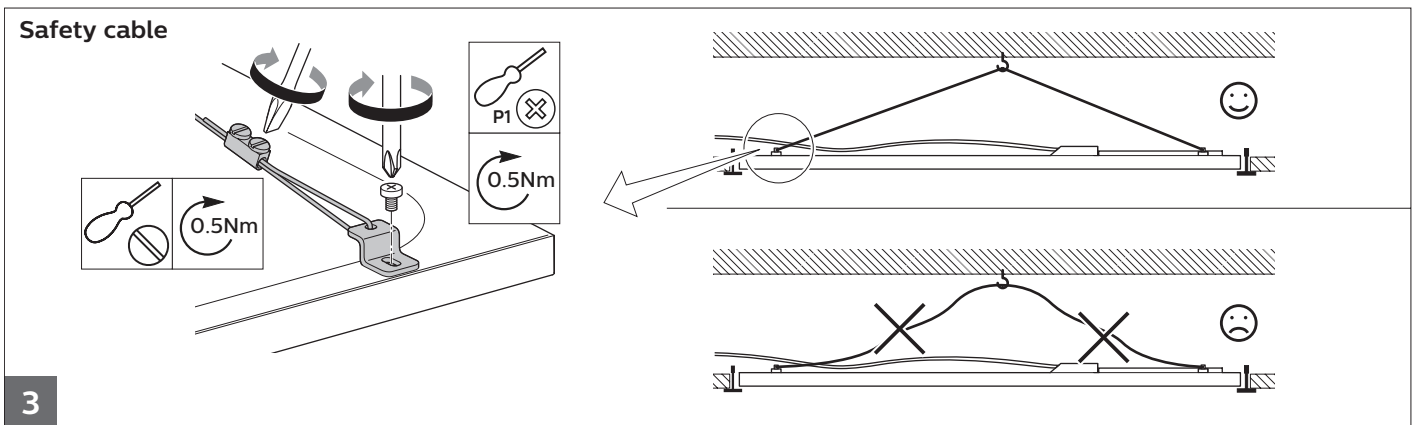
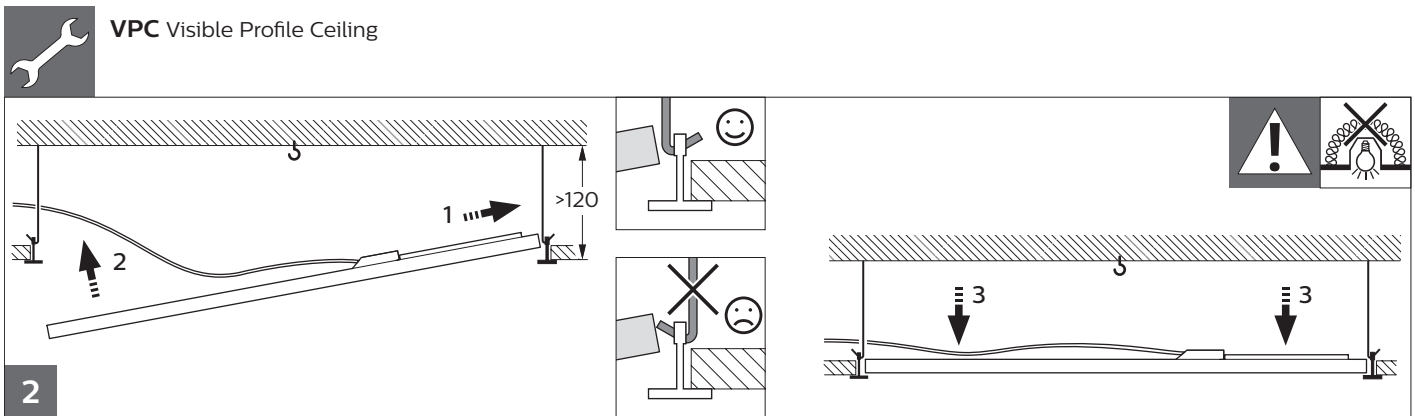
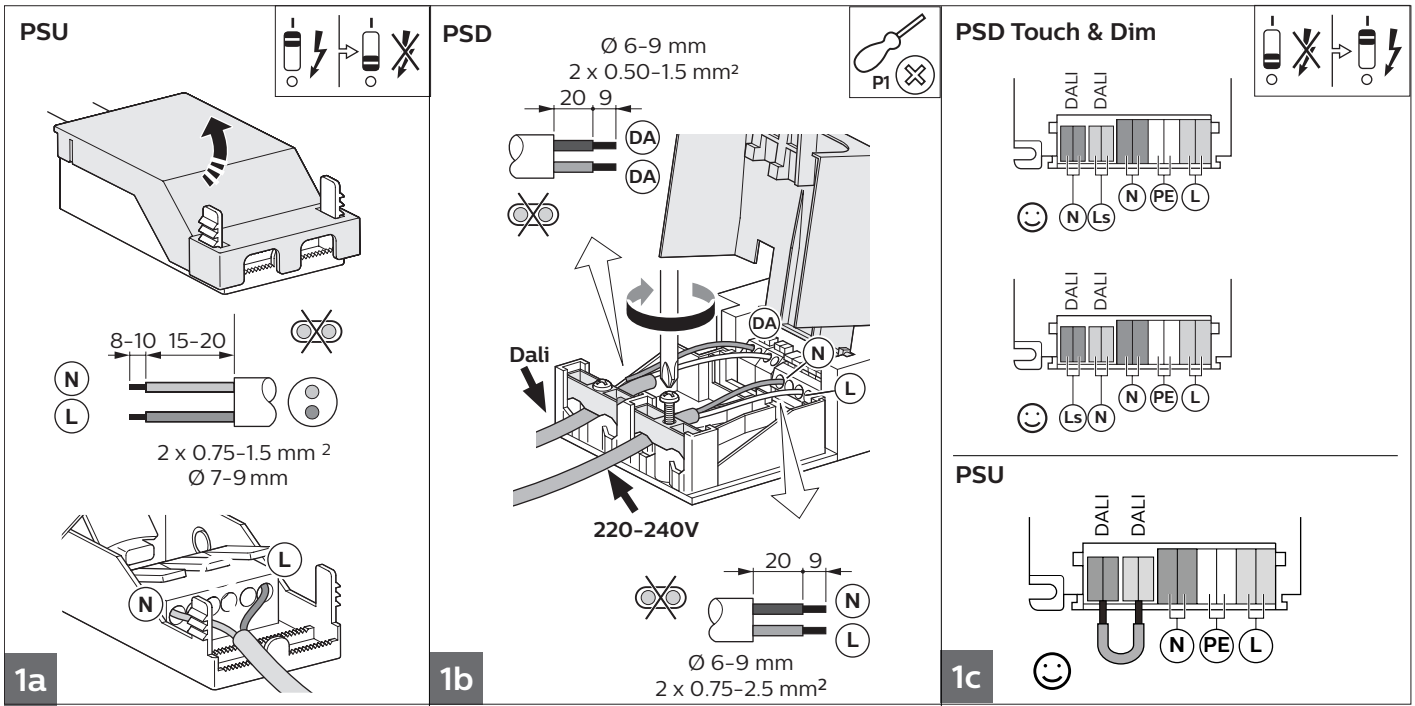
- 910930031018 RC125Z SMB W60L60
- 910930031118 RC126Z SMB W62L62
- 910930031218 RC125Z SMB W30L120
- 912401483181 RC132Z SMB W30L60

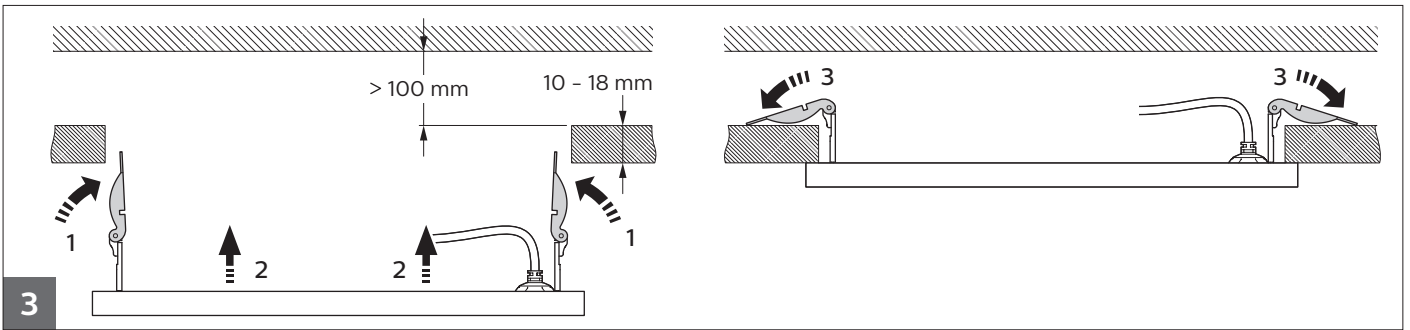
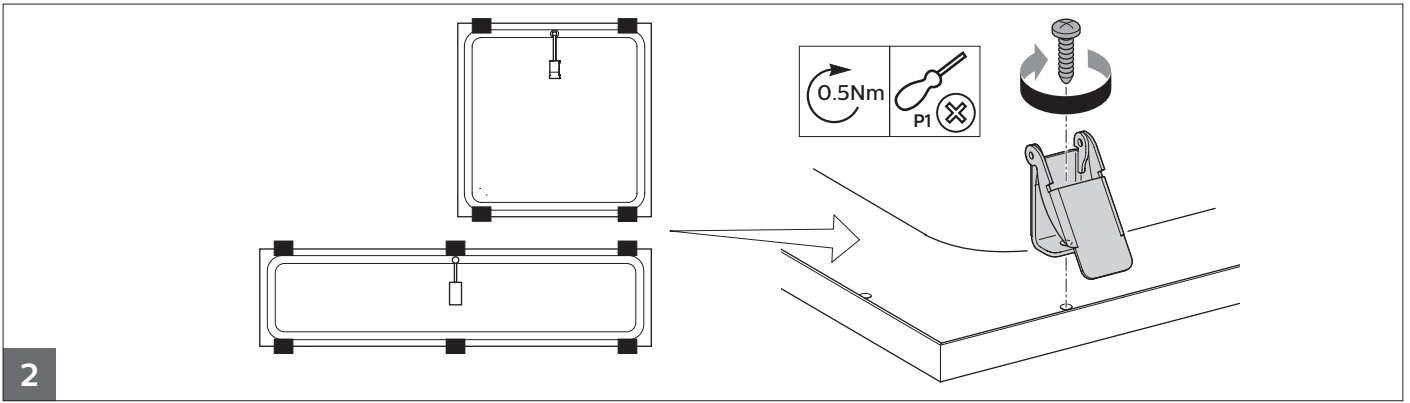


**Plaster kit:**

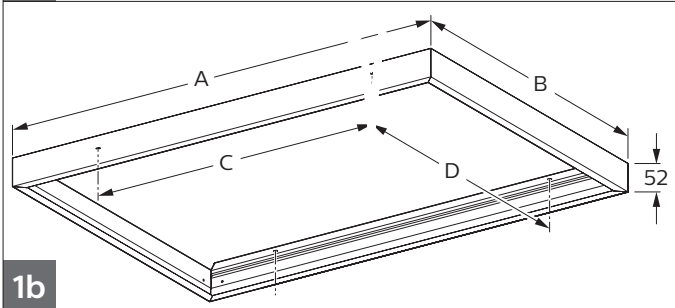
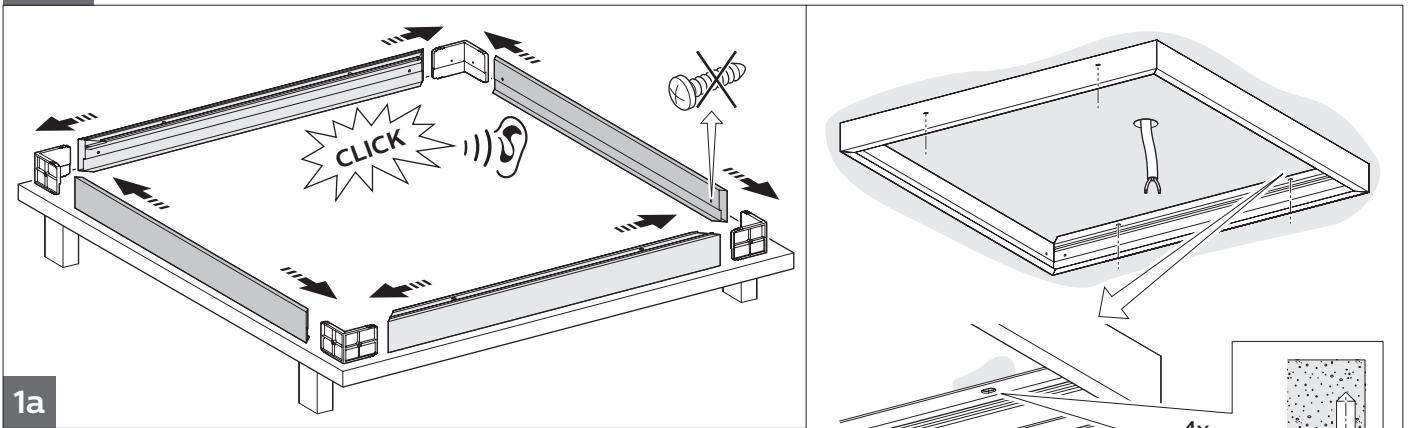
- 910930031318
- RC125Z SMB-PLC



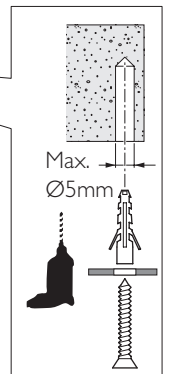




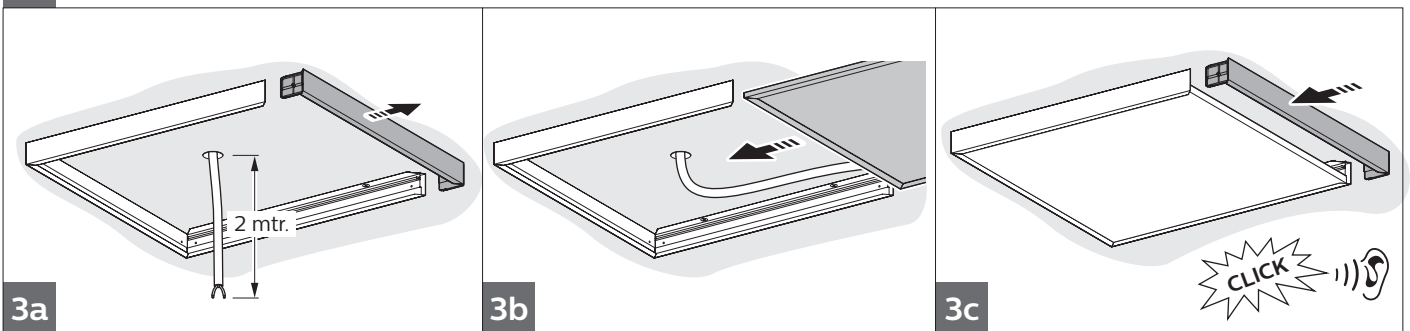
**Surface mounted**



	A	B	C	D
W60L60	612	612	332	576.5
W62L62	637	637	327	601.5
W30L120	1212	312	632.0	276.5
W30L60	612	312	332	276.5



**2 Electrical connections.** See relevant installation instruction.

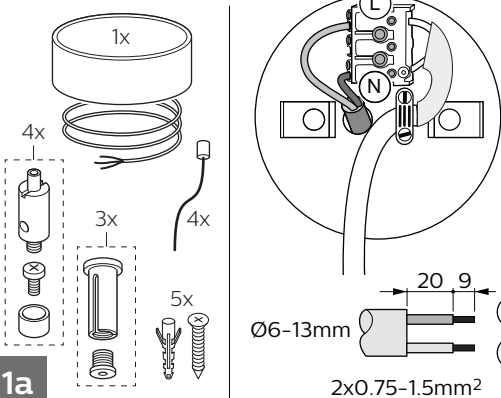
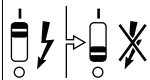




# Suspension kit

## PSU

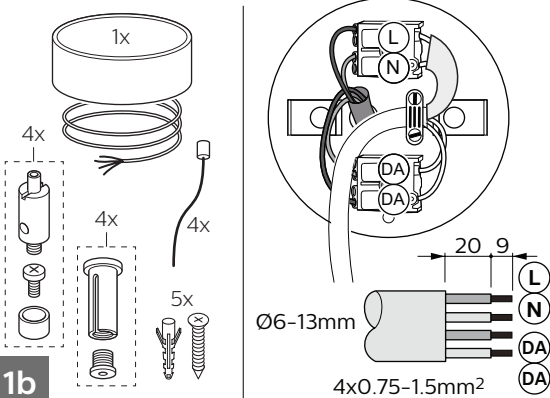
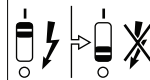
912401483179  
RC132Z SME-3 WH



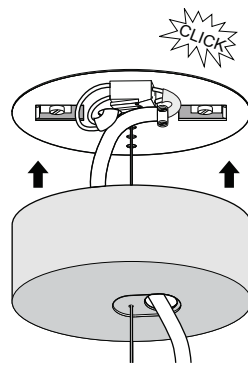
1a

## PSD

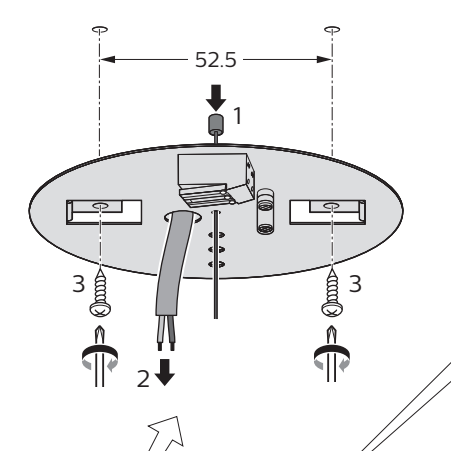
912401483180  
RC132Z SME-4 WH



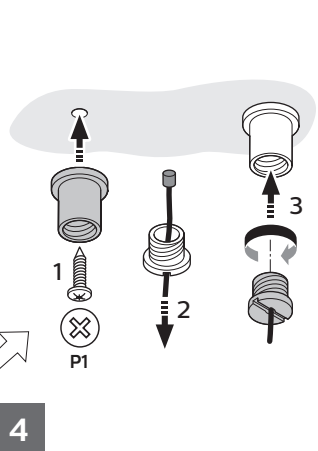
1b



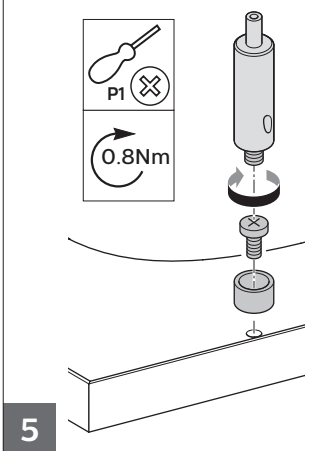
2



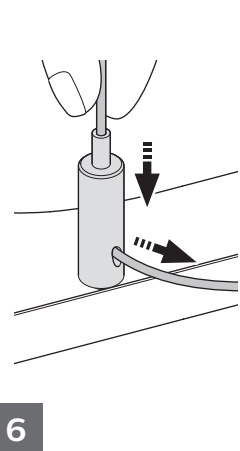
3



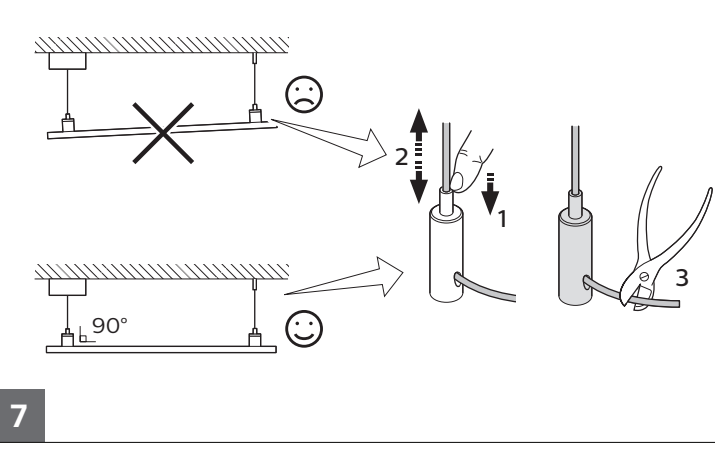
4



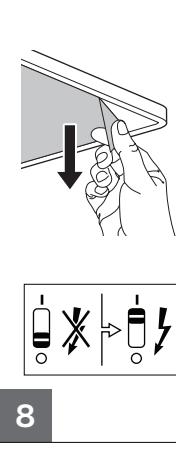
5



6

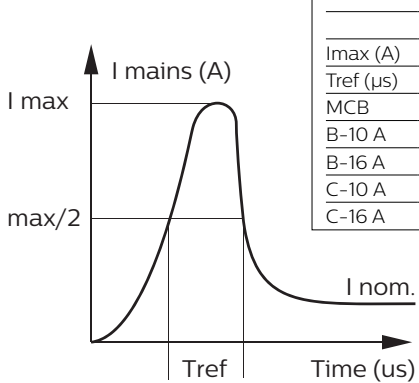


7



8

### Inrush current



	PSD		PSU
	35W	16W	33W
Electrical characteristics			
I <sub>max</sub> (A)	20.4	4	6
T <sub>ref</sub> (μs)	195	300	300
MCB	No. of driver max.		
B-10 A	15	30	15
B-16 A	24	48	24
C-10 A	25	50	25
C-16 A	40	80	40



- The luminaire shall be installed by a qualified electrician and wired in accordance with the latest IEE electrical regulations or the national requirements.
  - The light source of this luminaire is not replaceable; when the light source reached its end of life the whole luminaire shall be replaced.
  - Please do not remove the protect film before installing to avoid scraping or dirtying the optical part.
  - During installation or maintaining the luminaire please use gloves to avoid spots on the cover.
- To remove dirt and spots use the following:
- Dust: use micro fiber cloths only.
  - Fingerprints, etc.: use a cleaner for synthetic materials with antistatic properties.
- The PE-terminal is only for looping in or through wiring, the luminaire itself is Class II protective, connection of PE-terminal to power mains is not needed.
  - For controllable luminaires, the classification of insulation between LV supply and control conductors shall be basic insulation at least.