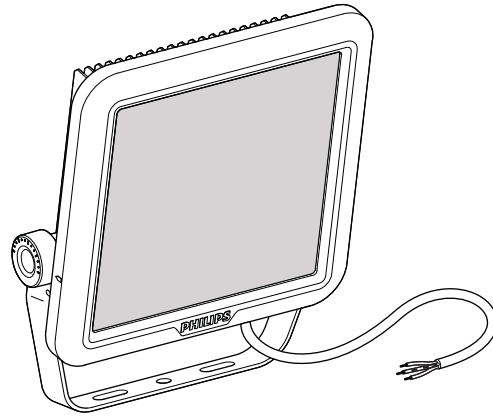


# PHILIPS

## Ledinaire FloodLight Mini

BVP105



220V  
240V

50Hz  
60Hz



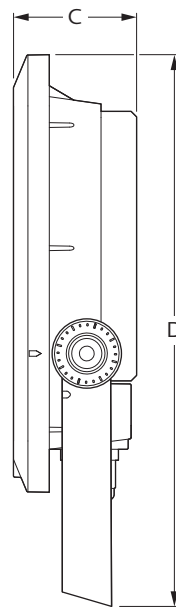
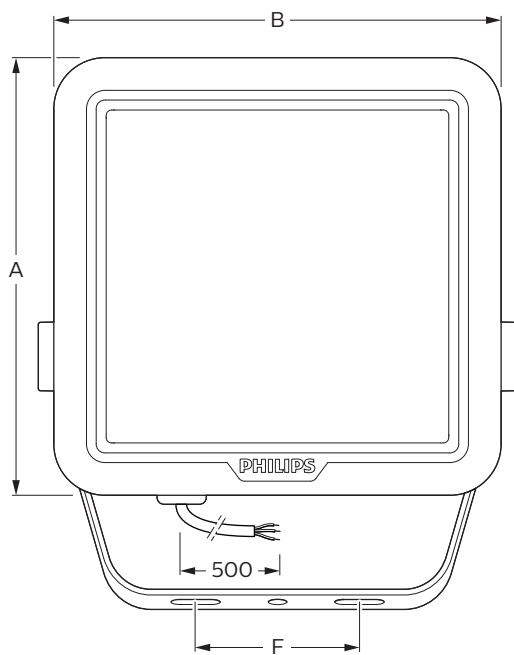
IK07

IP65

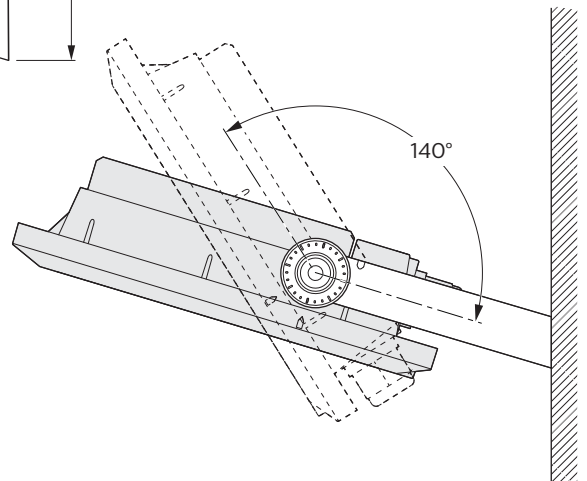
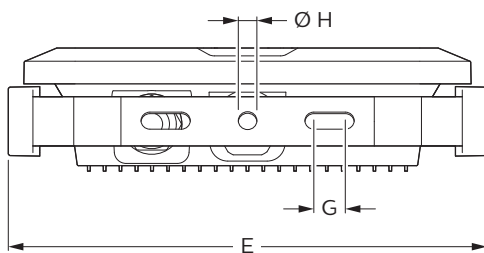


	Flux (lm)	Power (W)	Beam	m <sup>2</sup>	kg
BVP105 LED9 / 840 PSU VWB100	900	10		0.018	0.49
BVP105 LED25 / 840 PSU VWB100	2500	27	Symmetric	0.027	0.79
BVP105 LED45 / 840 PSU VWB100	4500	50		0.039	1.23

### Text



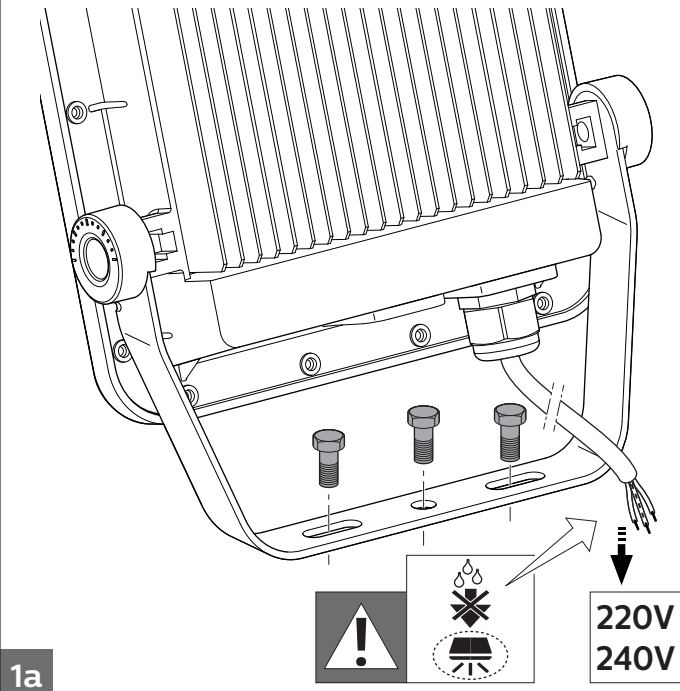
Dimensions in mm			
	10 W	27 W	50 W
A	129	160	185
B	136	164	207
C	42	45	55
D	170	202	236
E	146	175	208
F	55	60	78
G	8.5	11.5	11.5
H	6	6	8



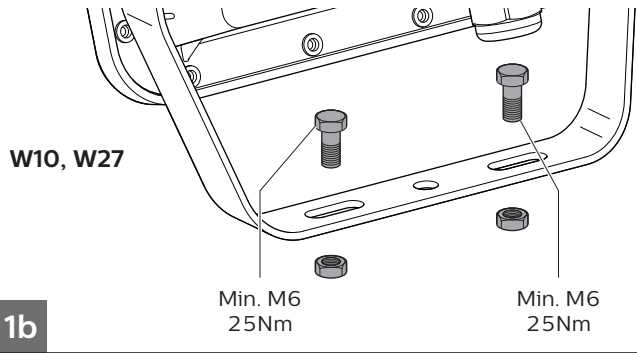


Install the luminaire according to the national regulations.

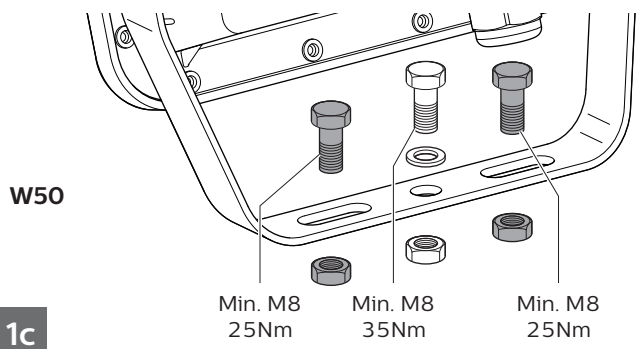
In case of using only the central hole fixation and if the luminaire is higher >3 m, the use of 2nd fixing security system is needed.



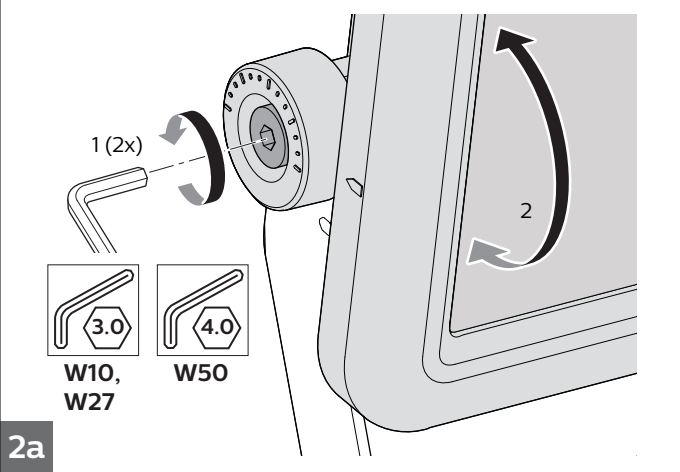
1a



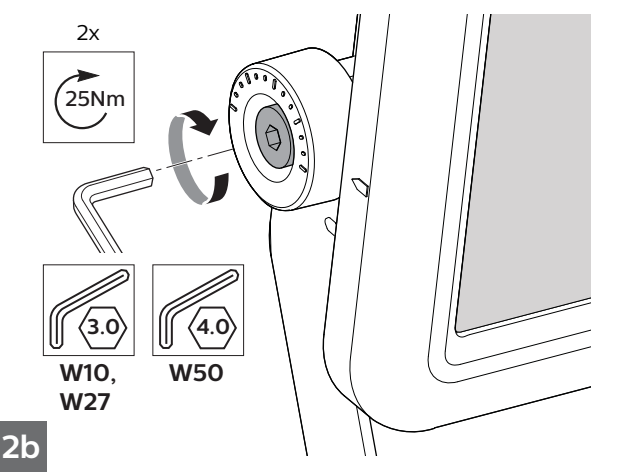
1b



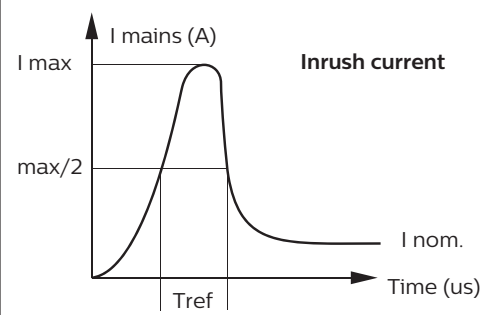
1c



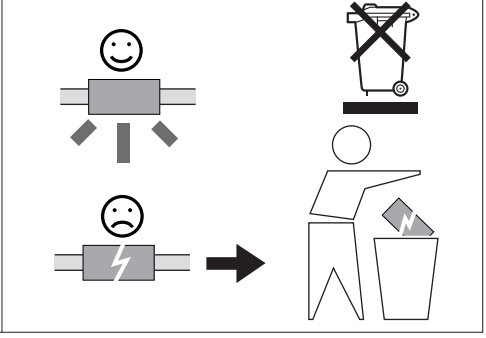
2a



2b



	LED9	LED25	LED45
<b>Electrical characteristics</b>			
I <sub>max</sub> (A)	0.13	0.38	0.64
T <sub>ref</sub> (μs)	1000	1000	1000
MCB	Floodlight Max.		
B-10 A	40	30	20
B-16 A	50	40	30
C-10 A	40	30	20
C-16 A	50	40	30



- The light source contained in this luminaire shall only be replaced by the manufacturer or his service agent or a similar qualified person.
- The luminaire shall be installed or maintained by a qualified electrician and wired in accordance with the latest IEE electrical regulations or the national requirements.
- If the external flexible cable or cord of this luminaire is damaged, it shall be exclusively replaced by the manufacturer or his service agent or a similar qualified person in order to avoid a hazard.
- The light source of this luminaire is not replaceable; when the light source reaches its end of life the whole luminaire shall be replaced.