

LuxSpace Accent Mini/Compact

Installation instructions

Instructions de montage
Montageanleitung
Montage instruktiv
Istruzioni di montaggio

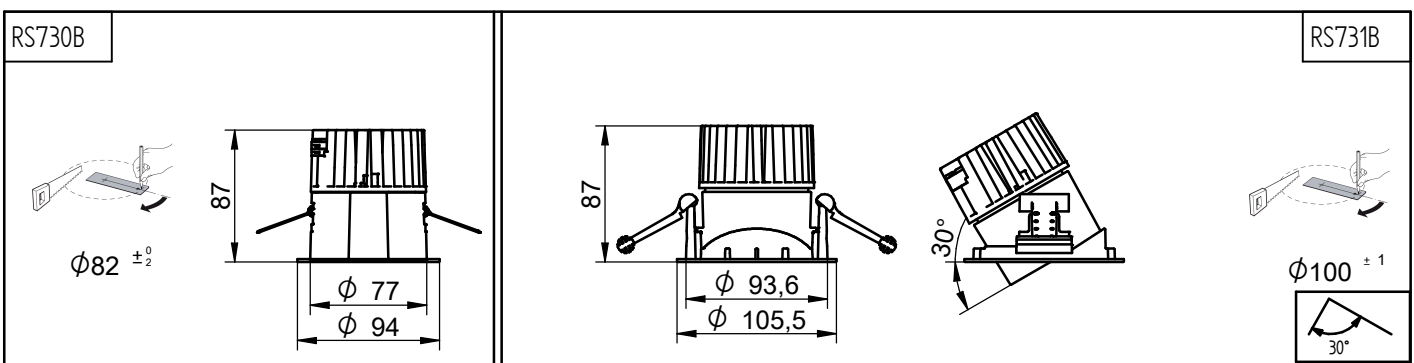
Instrucciones de montaje
Instruções de montagem
Monteringsinstruktioner
Monteringsvejledning

Kokoonpano- ja kiinnitysohjeet
Montaj yönergesi
Odhgjez synarmologhshz
Instrukcja montazu

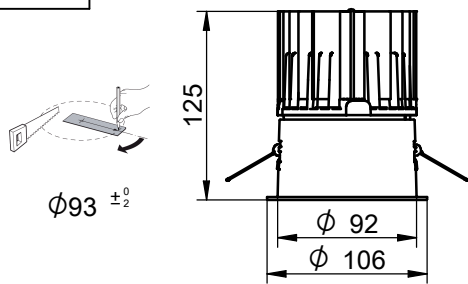
Szerelési utasítások
Návod k montázi
bycnerwbz gj vjynf:e
Návod k montázi



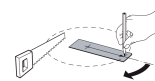
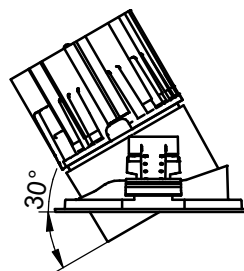
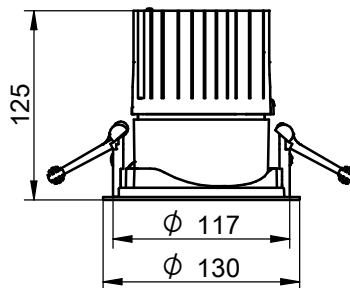
Housing	Lum. Pack CCT		IP20	IP44	kg	10°C min	max 40°C	P _{max}	IK02	650°	BEAM ANGLE			
											NB	MB	WB	
RS730B LuxSpace Accent Mini Fix	LED11S	827		•	0.8	•	•	17.6	•	•	•			
		830/840		•	0.8	•	•	15.6	•	•	•			
		930		•	0.8	•	•	18.8	•	•	•			
	LED12S	827/830/840		•	0.8	•	•	13.4	•	•		•	•	
		930		•	0.8	•	•	16	•	•		•	•	
RS740B LuxSpace Accent Compact Fix	LED17S	827/830/840		•	1.1	•	•	17.4	•	•		•	•	
		930		•	1.1	•	•	22.5	•	•		•	•	
	LED20S	827/840		•	1.1	•	•	29	•	•	•			
		830/930		•	1.1	•	•	29.5	•	•	•			
	LED27S	827/830/840/930		•	1.1	•	•	27	•	•		•	•	
		930		•	1.1	•	•	35	•	•		•	•	
	LED39S	827/830/840		•	1.1	•	•	42	•	•		•	•	
		930		•	1.1	•	•	41.5	•	•		•	•	
	RS731B LuxSpace Accent Mini Adjustable	LED11S	827	•		1.2	•	•	17.6	•	•	•		
			830/840		•	1.2	•	•	15.6	•	•	•		
930				•	1.2	•	•	18.8	•	•	•			
LED12S		827/830/840		•	1.2	•	•	13.4	•	•		•	•	
		930		•	1.2	•	•	16	•	•		•	•	
RS741B LuxSpace Accent Compact Adjustable	LED17S	827/830/840	•		1.4	•	•	17.4	•	•		•	•	
		930		•	1.4	•	•	22.5	•	•		•	•	
	LED20S	827/840		•	1.4	•	•	29	•	•	•			
		830/930		•	1.4	•	•	29.5	•	•	•			
	LED27S	827/830/840/930		•	1.4	•	•	27	•	•		•	•	
		930		•	1.4	•	•	35	•	•		•	•	
	LED39S	827/830/840		•	1.4	•	•	42	•	•		•	•	
		930		•	1.4	•	•	41.5	•	•		•	•	



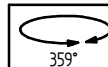
RS740B



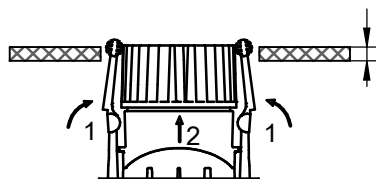
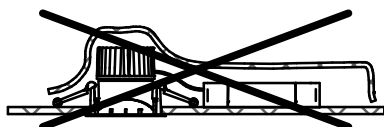
RS741B



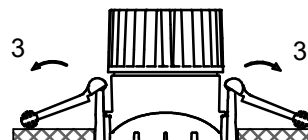
$\phi 120^{+0.2}$



After installation of RS731B type, luminaire need to be aligned to the cut out center to cover the hole!

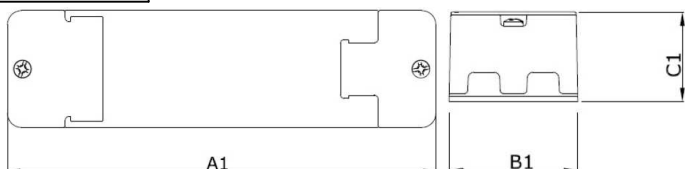


Min: 2mm
Max: 30mm

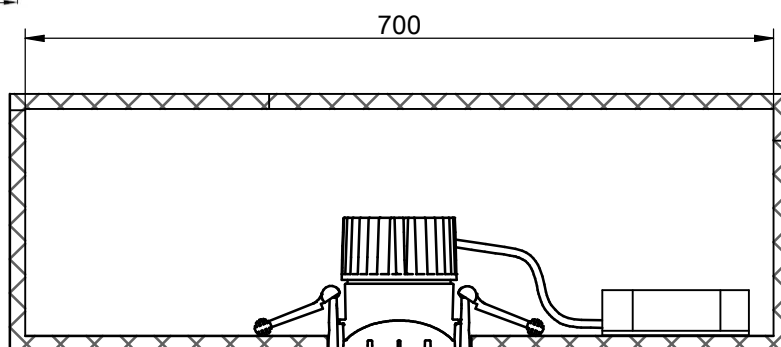
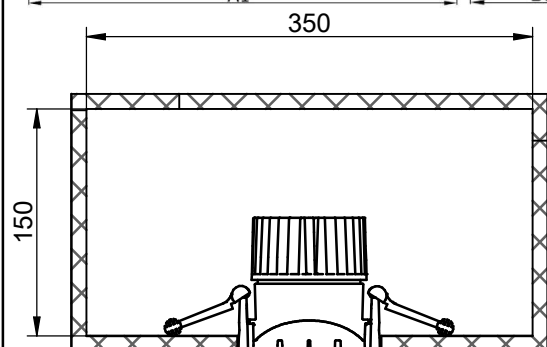


RS730B/RS731B

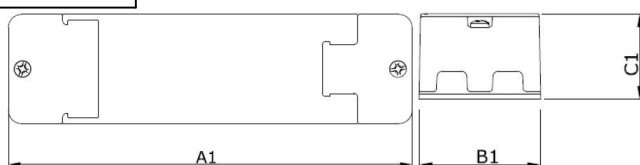
Minimal build-in and driver dimensions



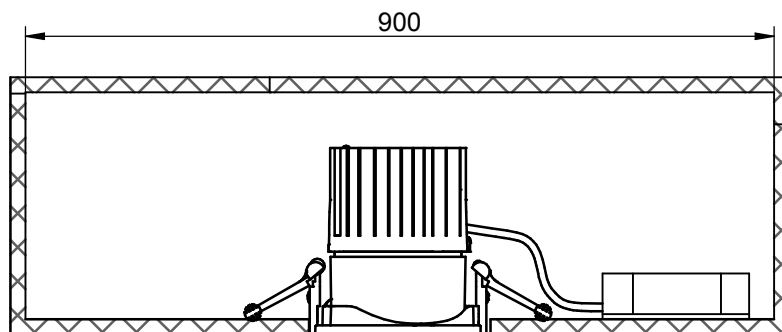
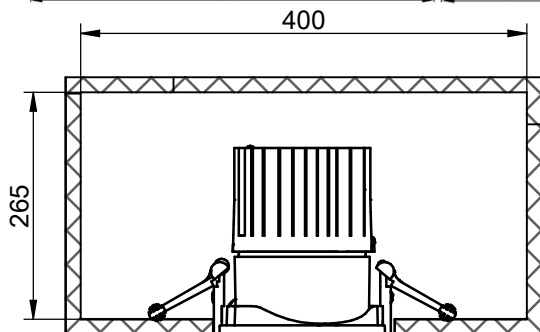
TYPE	A1 (mm)	B1 (mm)	C1 (mm)
PSE-E	190	46	32
PSED-E	150		



RS740B/RS741B

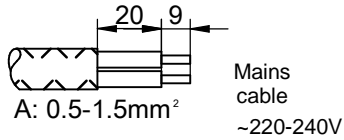
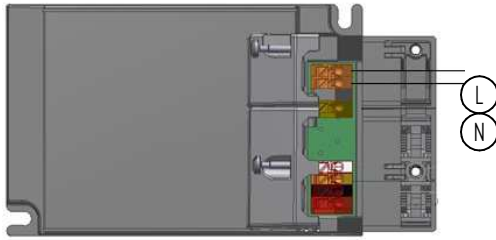


TYPE	Lamp	A1 (mm)	B1 (mm)	C1 (mm)
PSU-E	All	125.5	67.8	32
PSE-E	LED17S; LED27S/827/830/840	150	46	
	LED20S; LED27S/930; LED39S	190		
PSED-E	LED17S; LED27S/827/830/840	150	46	
	LED20S; LED27S/930; LED39S	190		



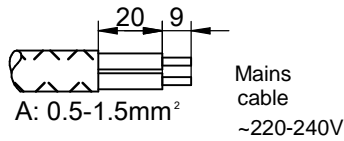
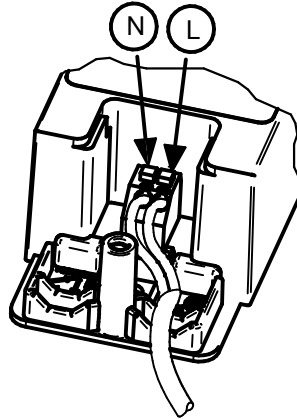
Wirings for PSU-E, PSE-E and PSED-E drivers

PSU-E (Power supply unit external)



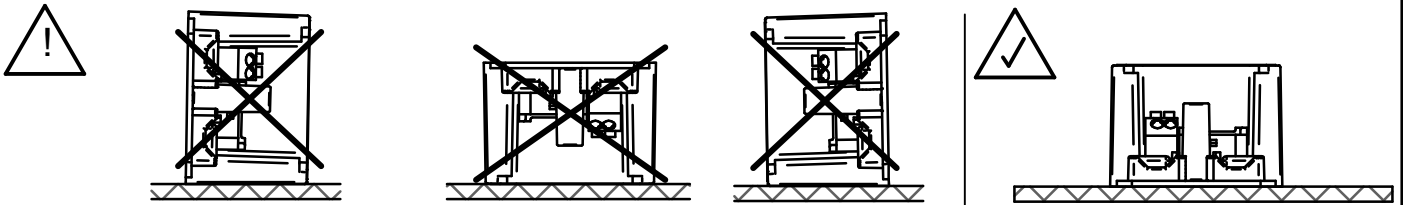
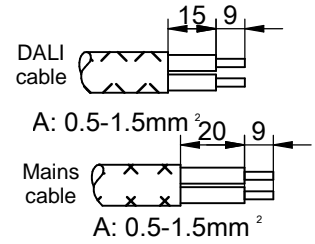
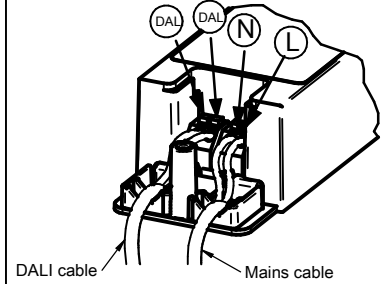
PSE-E

Power supply unit DC-compatible for central emergency lighting, external



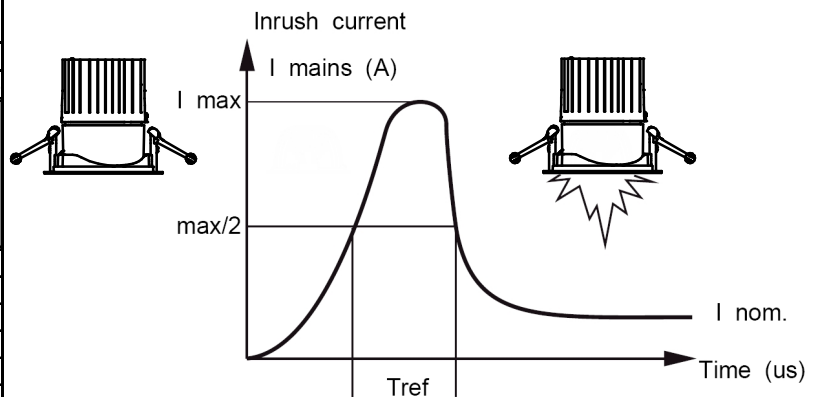
PSED-E

Power supply unit with DALI interface, DC-compatible for central emergency lighting, external



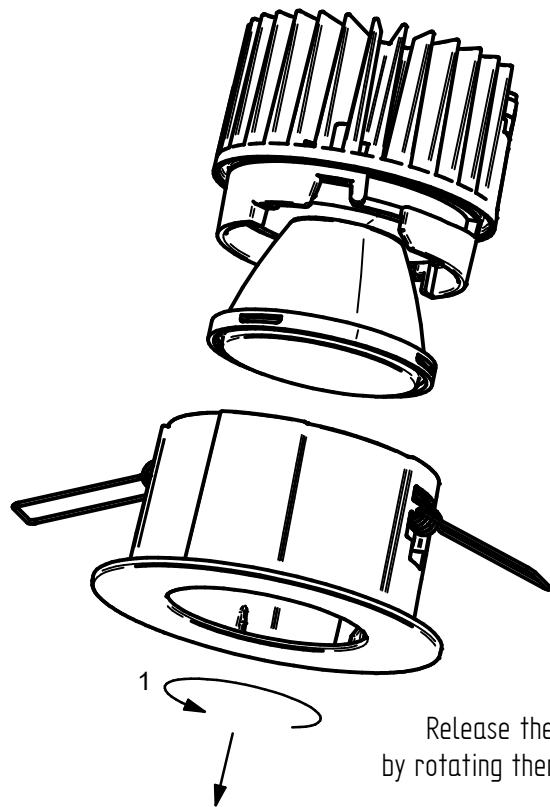
Xitanium 25W LH 0.3-1A 36V I 230V (PSE-E)			Xitanium 20W LH 0.15-0.5A 48V TD/Is 230V (PSE-E, PSED-E)			Xitanium 25W LH 0.3-1A 36V TD Is 230V (PSE-E, PSED-E)			LED driver 36W 0.3-1A 48V I 230V (PSU-E)			Xitanium 36W LH 0.3-1A 48V I 230V (PSE-E)		
Lum. Pack	CCT	Inom. (A)	Lum. Pack	CCT	Inom. (A)	Lum. Pack	CCT	Inom. (A)	Lum. Pack	CCT	Inom. (A)	Lum. Pack	CCT	Inom. (A)
LED11S	827	0.073	LED12S	827/830/840	0.054	LED11S	827	0.073	LED17S	827/830/840	0.069	LED39S	827/930	0.167
	830/840	0.065		930	0.064		830/840	0.065		930	0.089		830/840	0.169
	930	0.078		827/830/840	0.069		930	0.078		827/830/840	0.115			
LED12S	830/840/840	0.053				LED17S	930	0.089		930	0.117			
	930	0.064				LED27S	827/830/840	0.108		827/830/840	0.108			
										930	0.136			
I_{max} (A)	8		I_{max} (A)	16		I_{max} (A)	20		I_{max} (A)	6		I_{max} (A)	20	
T_{ref} (us)	0.18		T_{ref} (us)	0.22		T_{ref} (us)	0.15		T_{ref} (us)	0.55		T_{ref} (us)	0.25	
MCB	Max. Products (pcs)*		MCB	Max. Products (pcs)*		MCB	Max. Products (pcs)*		MCB	Max. Products (pcs)*		MCB	Max. Products (pcs)*	
B-10A	15		B-10A	15		B-10A	18		B-10A	25		B-10A	20	
B-16A	24		B-16A	24		B-16A	30		B-16A	40		B-16A	32	
C-10A	24		C-10A	24		C-10A	31		C-10A	41		C-10A	33	
C-16A	40		C-16A	40		C-16A	51		C-16A	67		C-16A	54	

Xitanium 36W 0.3-1A 48V TD/I 230V (PSE-E, PSED-E)			Xitanium 50W LH 0.7-1.5A 48V TD/I 230V (PSE-E, PSED-E)		
Lum. Pack	CCT	Inom. (A)	Lum. Pack	CCT	Inom. (A)
LED20S	827/830/840	0.115	LED27S	930	0.136
	930	0.117			
LED39S	827/930	0.167			
	830/840	0.169			
I_{max} (A)	5.3		I_{max} (A)	5.3	
T_{ref} (us)	0.7		T_{ref} (us)	0.7	
MCB	Max. Products (pcs)*		MCB	Max. Products (pcs)*	
B-10A	15		B-10A	18	
B-16A	24		B-16A	30	
C-10A	24		C-10A	31	
C-16A	40		C-16A	51	

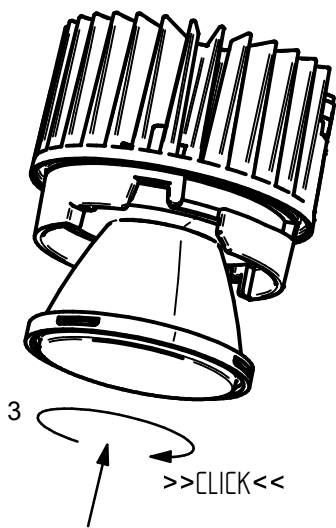
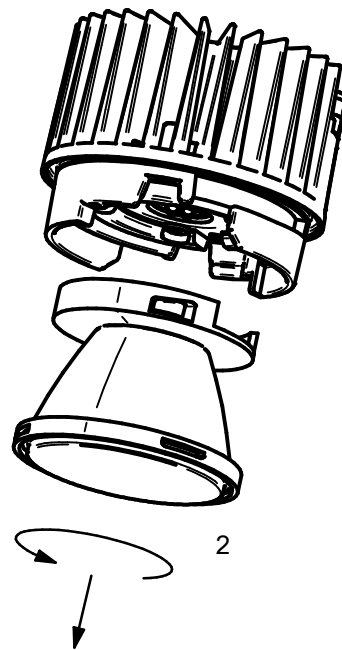


*According to: IEC60555 test conditions

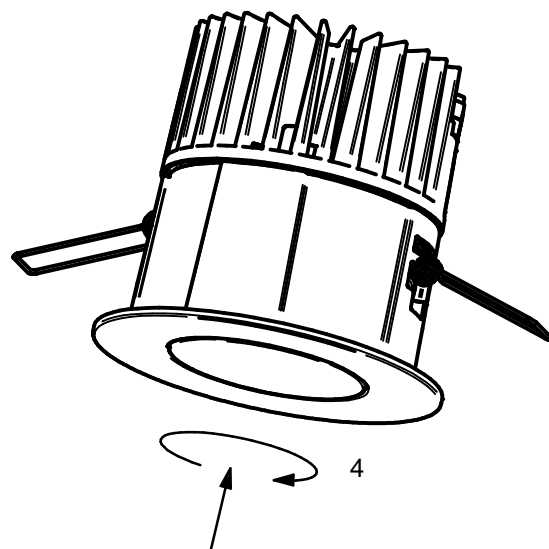
Reflector and fixed housing accessory changing instructions



Release the required parts
by rotating them counter clockwise



Insert the new reflector
and turn clockwise



Replace the new housing
and turn clockwise



Only with soft clothes!

Philips

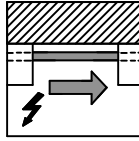
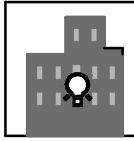
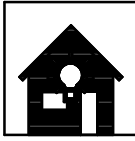
Install instructions

Instructions de montage
Montageanleitung
Montage instructie
Istruzioni di montaggio

Instrucciones de montaje
Instruções de montagem
Monteringsinstruktioner
Monteringsvejledning

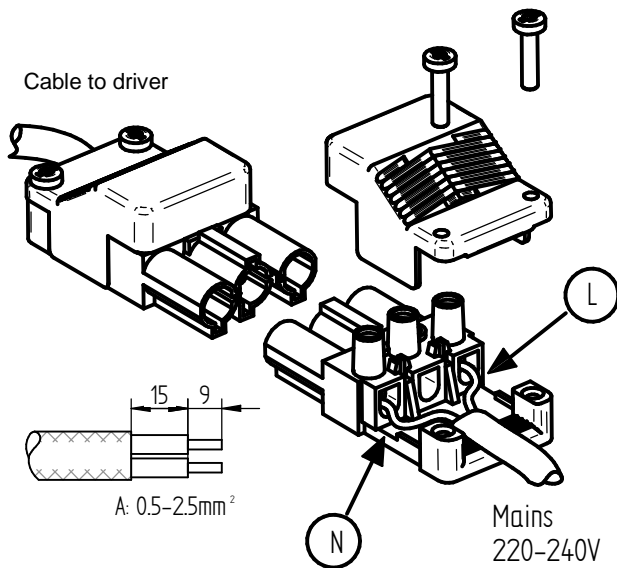
Kokoonpano- ja kiinnitysohjeet
Montaj yönergeleri
Odghiez synarmologhshz
Instrukcja montazu

Szerelési utasítások
Návod k montáži
bycnerwbz gj vjynf:e
Návod k montáži

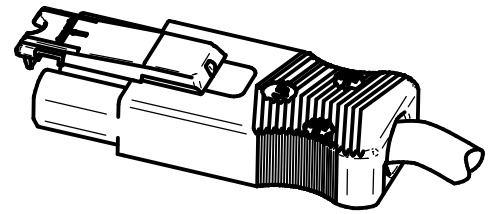


220 V
240 V

Wiring for CW/CW3 connector accessory

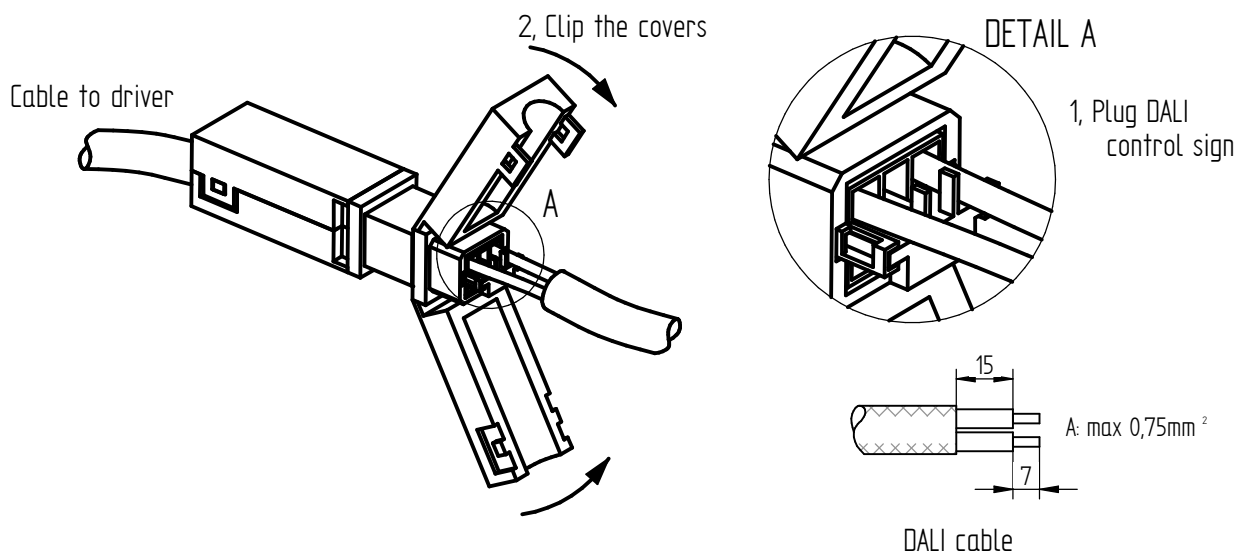


CW-L connector accessory



Cable to LED driver

Wiring for C1KBST2 DALI connector accessory



1.

4443 160 05183

Version date : 06/02/2015

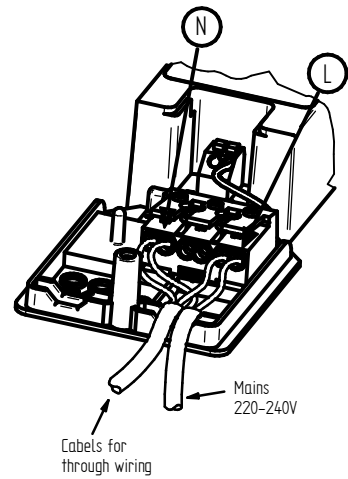
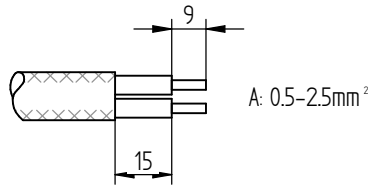
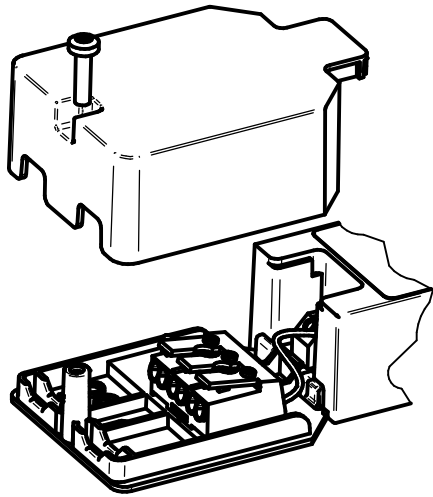
Data Subject to change without notice

Printed in EU

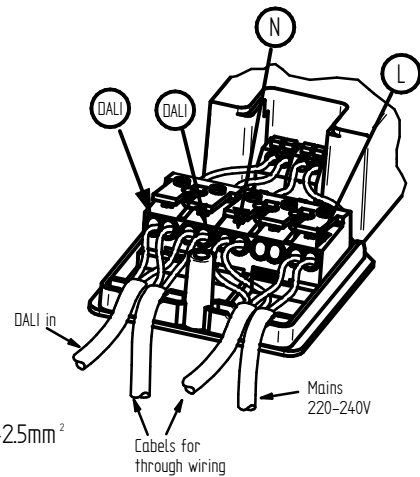
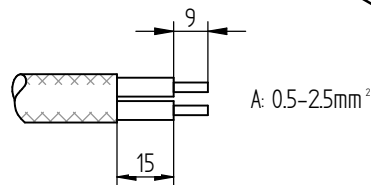
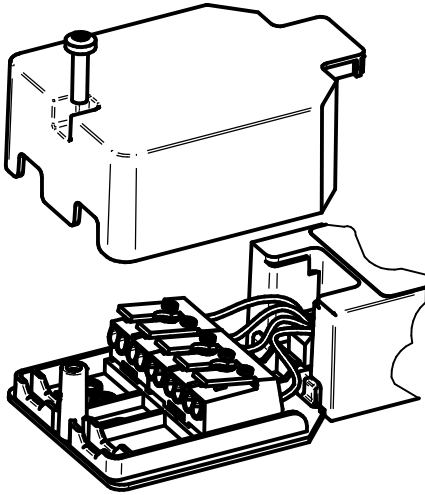
www.philips.com/lighting

PHILIPS

Wiring for CU3 accessory



Wiring for CU5 accessory (with DALI interface)



Maximal number of products for through wiring

Lamp Family	Type of driver	Type of network fuse (MCB)			
		B-10A	B-16A	C-10A	C-16A
LED7S PSU-E	Xtanium 12W 0.3-1A 16V 230V	17	28	29	47
LED7S PSR-E	Xtanium 12W LH 0.75-1A 16V TE/I 230V	17	28	29	47
LED7S PSD-E	Xtanium 17W LH 0.3-1A 24V TD/Is 230V	18	29	30	49
LED12S PSU-E	Xtanium 17W LH 0.3-1A 24V I 230V	15	24	24	40
LED12S PSD-E	Xtanium 17W LH 0.3-1A 24V TD/Is 230V	18	29	30	49
LED12S PSR-E	Xtanium 17W 0.3-0.7A 24V TE/I 230V	46	74	76	125
LED16S PSU-E	Xtanium 25W LH 0.3-1A 36V I 230V	20	32	33	54
LED16S PSD-E	Xtanium 25W 0.3-1A 36V TD/Is 230V	17	28	29	47
LED11S PSU-E	Xtanium 25W LH 0.3-1A 36V I 230V	20	32	33	54
LED11S PSD-E	Xtanium 36W LH 0.3-1A 48V TD I 230V	15	24	24	40
LED21S PSU-E	Xtanium 36W LH 0.3-1A 48V I 230V	20	32	33	54
LED21S PSD-E	Xtanium 36W LH 0.3-1A 48V TD/I 230V	15	24	24	40
LED25S PSU-E	Xtanium 36W LH 0.3-1A 48V I 230V	20	32	33	54