


# LED Lowbay

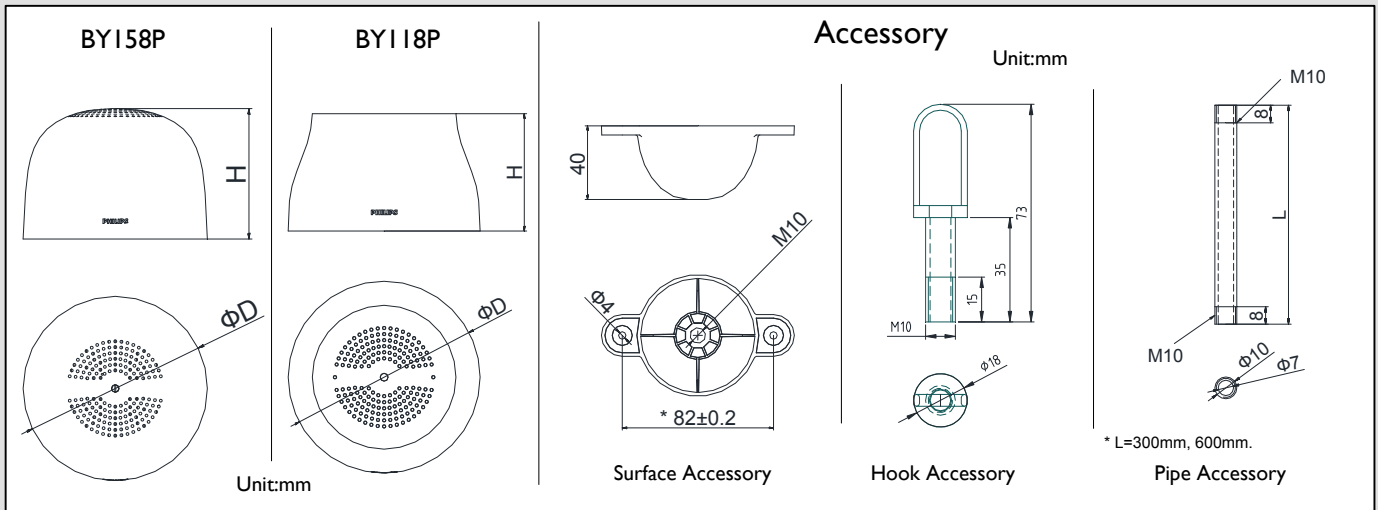
## BY118P/BY158P

### Mounting instruction

444100098081 VI.1



Type	Power (W)	Voltage/Frequency	D	H		CCT
BY158P LED16 PSU	20	220-240V 50/60Hz	226	155	0.7	CW/NW/WW
BY118P LED16 PSU	20	220-240V 50/60Hz	226	137	0.7	CW/NW/WW
BY158P LED21 PSU	30	220-240V 50/60Hz	226	155	0.85	CW/NW/WW
BY118P LED21 PSU	30	220-240V 50/60Hz	226	137	0.85	CW/NW/WW
BY158P LED33 PSU	40	220-240V 50/60Hz	254	180	1.0	CW/NW/WW
BY118P LED33 PSU	40	220-240V 50/60Hz	254	155	1.0	CW/NW/WW



1. The luminaire shall be installed by a qualified electrician and wired in accordance with the latest IEE electrical regulations or the national requirements.
2. Do not switch on before completed installation.
3. The height between top of luminaire and mounting surface must be more than 0.1m.



4. If the external flexible cable or cord of this luminaire is damaged, it shall be exclusively replaced by the manufacturer or his service agent or a similar qualified person in order to avoid a hazard
5. The light source contained in this luminaire shall only be replaced by the manufacturer or his service agent or a similar qualified person.
6. This is a general purpose luminaire, it should not be used in directly exposed environment containing hazardous substances for PC, consult your local Philips office for use in any special applications.
7. The luminaire working environment requirements hydrogen sulphide less than 1ppb.

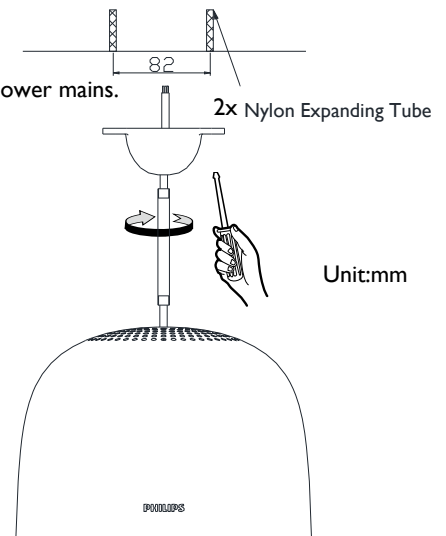
## 1. Surface Mounting

1.1 Install 2pcs D6x30mm nylon expanding tube on ceiling, pitch=82mm.

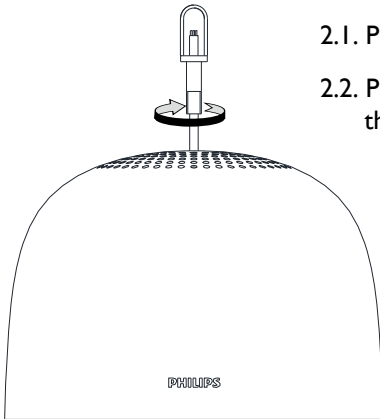
1.2 Pull the supply cord through pipe and surface accessory, and then connected to the power mains.

1.3 Fixed surface accessory with 2pcs ST3.9x20 screws, and then rotating pipe.

1.4 Rotating luminaire and fixed on the pipe.



## 2. Hook Mounting



2.1. Pull the supply cord through the hook, then tighten the hook on the luminaire.

2.2. Pull pendant chain/romp (by end-user provided) through hook hole and fix it, then connected to the power mains.

## 3. Pipe Mounting

Refer to surface mounting, the cable connector should be Staggered distribution in the pipe.

## 4. Connect Power Mains

It is recommended to use a connection box with a minimum IP rating of IP 20 (not provided by Philips).  
The requirement of connect light Using 3P terminal which confirmed to EN60998-2-1 or EN60998-2-2.  
The terminal's rated voltage is 450 V, rated capacity (current) is 15 A.  
The capacity wire of terminal cannot less than  $3 \times 0,75 \text{ mm}^2$ .



This marking indicates that this product should not be disposed with other household wastes throughout the EU. To prevent possible harm to the environment or human health from uncontrolled waste disposal, recycle it responsibly to promote the sustainable reuse of material resources. To return your used device, please use the return and collection systems or contact the retailer where the product was purchased. They can take this product for environmental safe recycling.