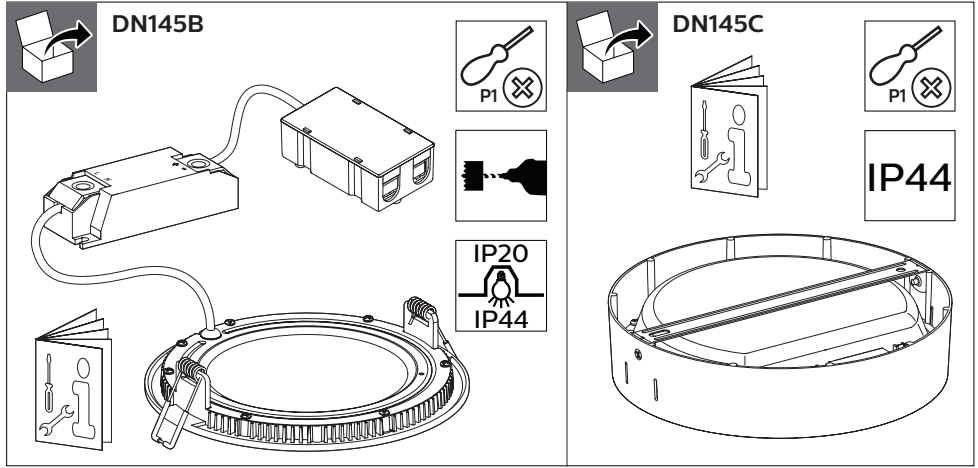


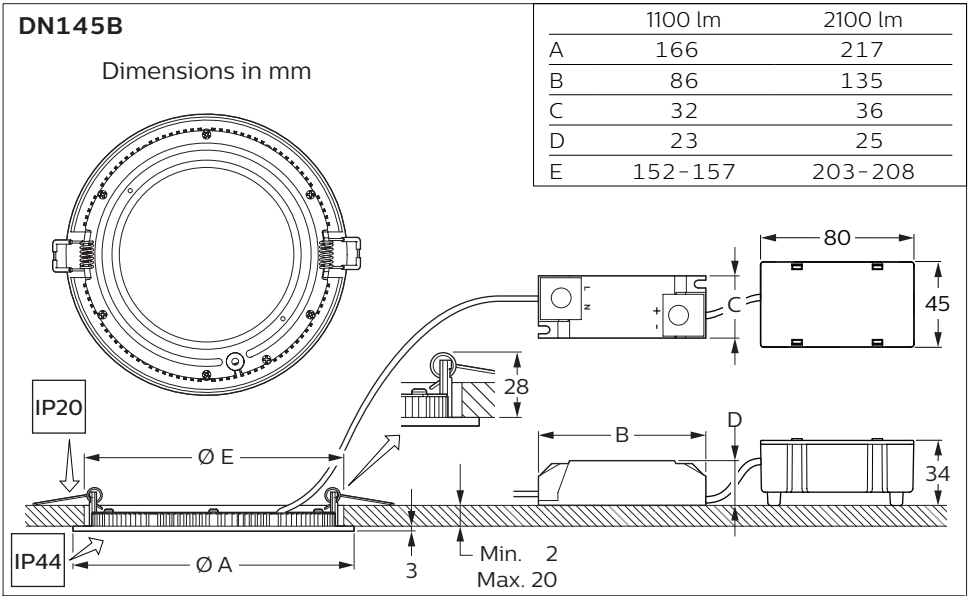
# PHILIPS

## CoreLine SlimDownlight

DN145



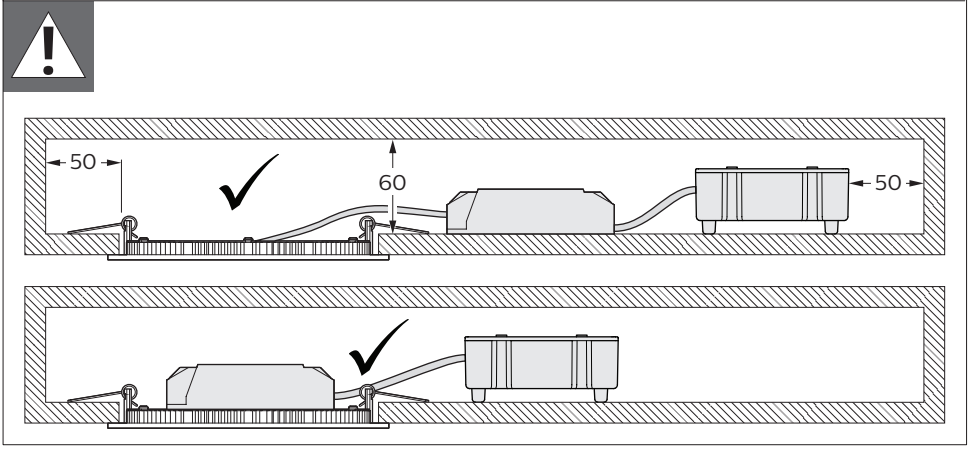
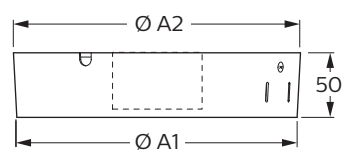
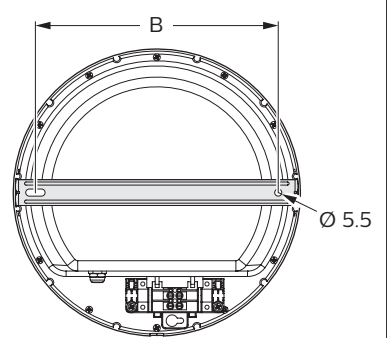
	System lumen (lm)	CCT (K)	Driver	P (W)	Ø mm	kg
DN145B LED6S	650			6.5	68-73	0.11
DN145B LED10S	1100			11	152-157	0.28
DN145B LED20S	2100	3000/4000	PSU	21	203-208	0.45
DN145C LED10S	1100			11	-	0.75
DN145C LED20S	2100			21	-	1.10



**DN145C**

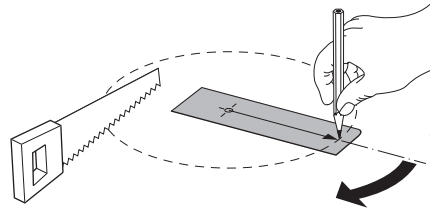
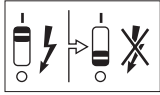
	1100lm	2100lm
A1	166	217
A2	171	222
B	140	188

	1100lm	2100lm
A1	166	217
A2	171	222
B	140	188

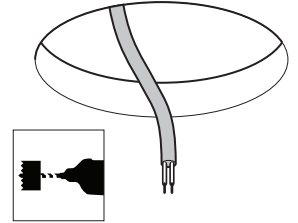




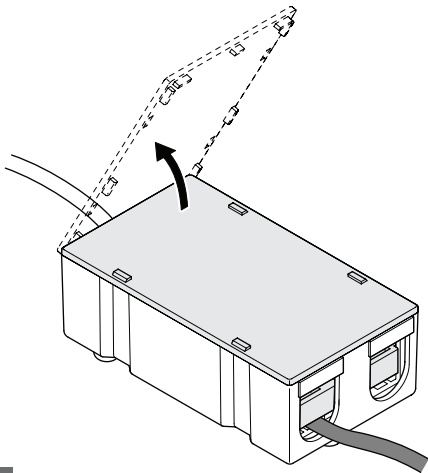
DN145B



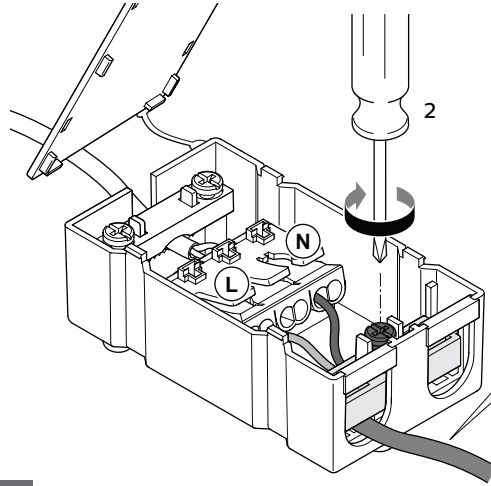
1100 lm = 152-157 mm  
2100 lm = 203-208 mm



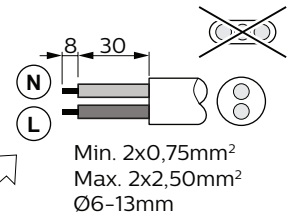
1



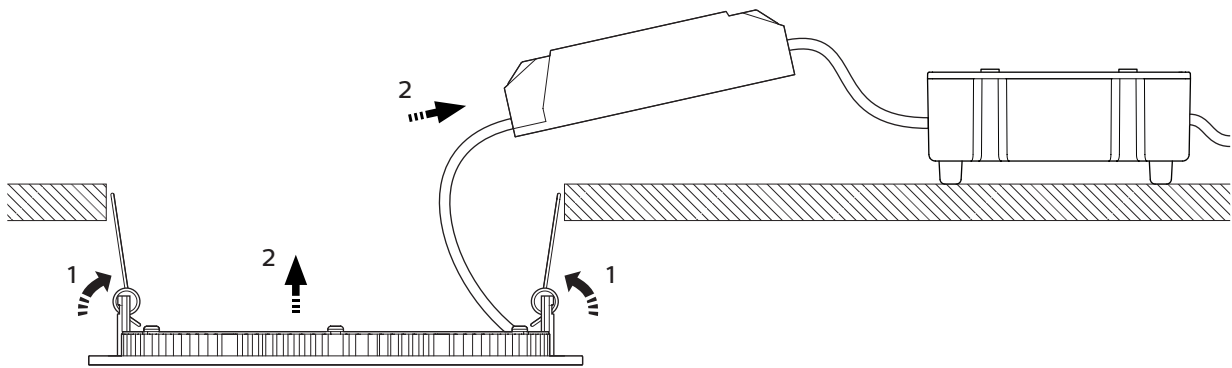
2



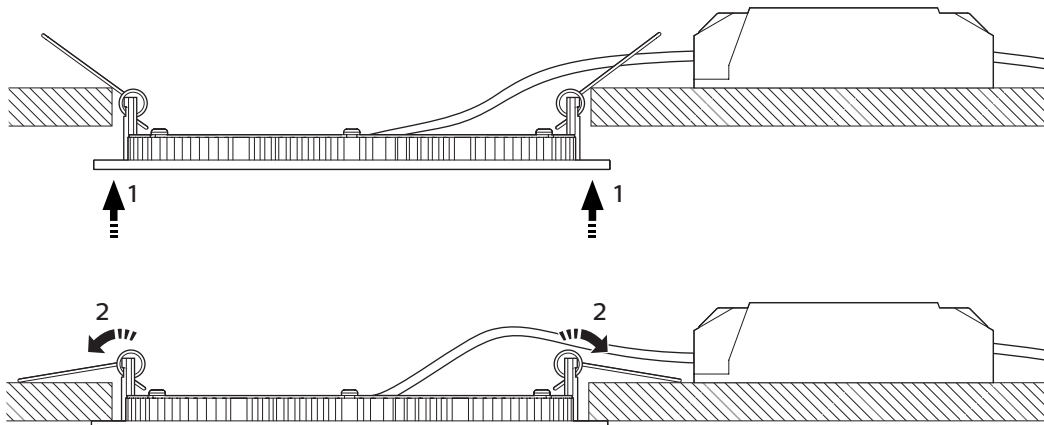
3



Min. 2x0,75mm<sup>2</sup>  
Max. 2x2,50mm<sup>2</sup>  
Ø6-13mm

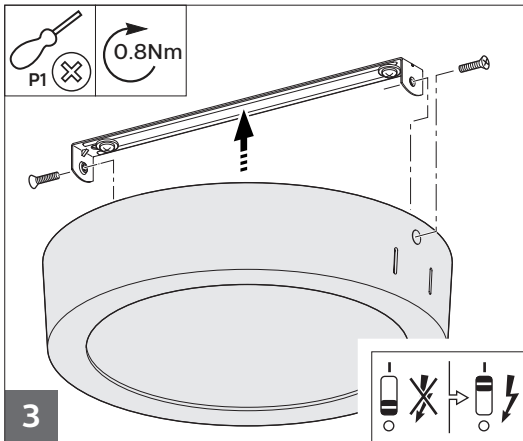
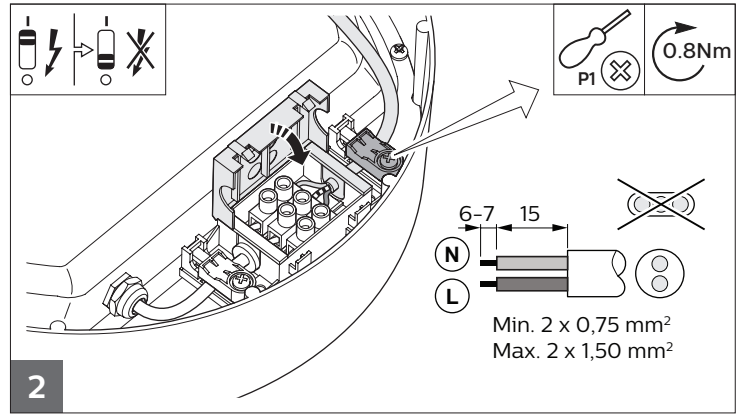
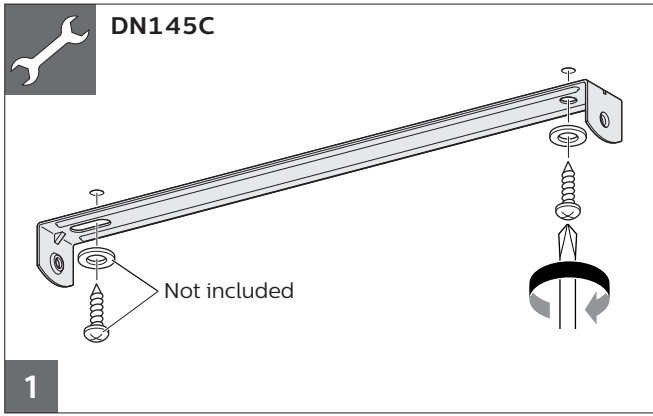


4

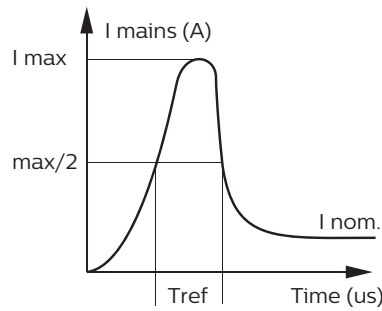


5





#### Inrush current



	1100 lm	2100 lm
Electrical characteristics		
I <sub>max</sub> (A)	10.1	28.9
T <sub>ref</sub> (μs)	2.2	1.6
MCB Downlights Max.		
B- 10 A	24	8
B- 13 A	31	10
B- 16 A	38	13
C- 10 A	40	13
C- 13 A	52	18
C- 16 A	64	22



- The luminaire shall be installed by a qualified electrician and wired in accordance with the latest IEE electrical regulations or the national requirements
- The light source of this luminaire is not replaceable; when the light source reaches its end of life the whole luminaire shall be replaced





© 2019 Signify Holding.

All rights reserved. This document contains information relating to the product portfolio of Signify which information may be subject to change. No representation or warranty as to the accuracy or completeness of the information included herein is given and any liability for any action in reliance thereon is disclaimed. The information presented in this document is not intended as any commercial offer and does not form part of any quotation or contract. Philips and the Philips Shield Emblem are registered trademarks of Koninklijke Philips N.V.. All other trademarks are owned by Signify Holding or their respective owners.

Signify Holding.  
The Netherlands