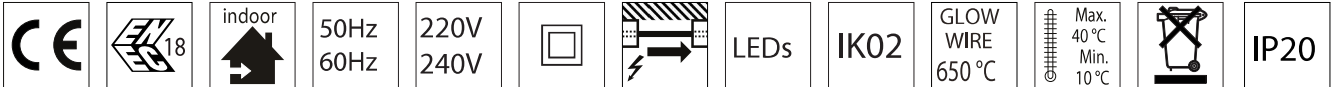
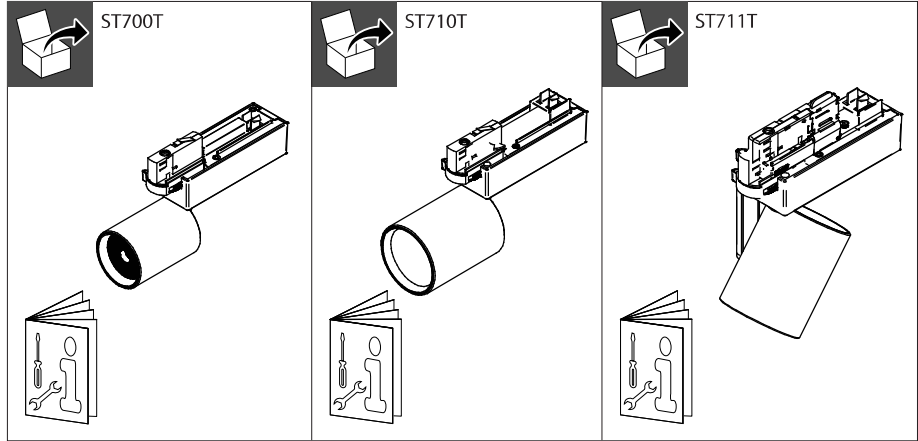


PHILIPS

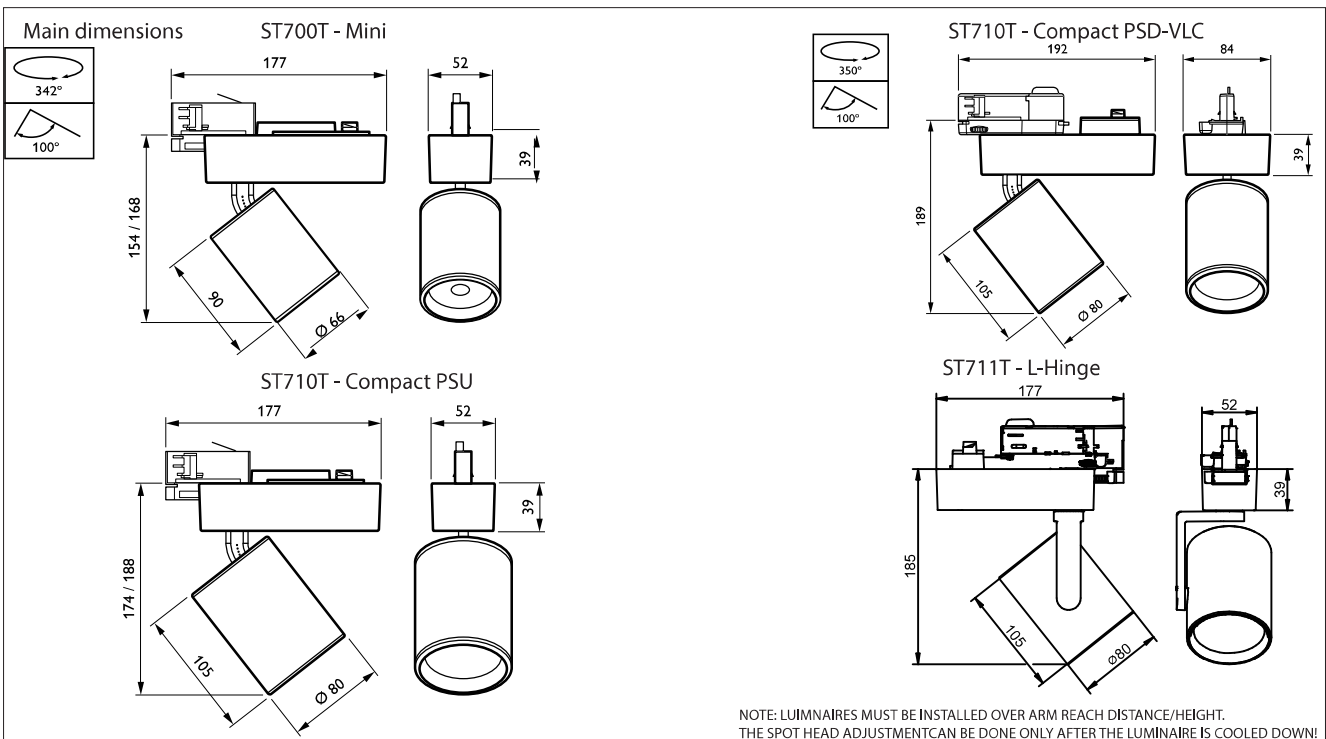
TrueFashion
Mini&Compact

ST700T/ST710T/ST711T



| Housing | Lumen package | Color temperature [K] | Weight | Driver type |
|---|---------------|-----------------------|---------|-----------------|
| ST700T TrueFashion Mini | LED17S | PW9-3000 | 0,52 | PSU/PSD |
| | | PW9-3500 | 0,52 | PSU/PSD |
| | | PW9-4000 | 0,52 | PSU/PSD |
| | | CRW | 0,52 | PSU/PSD |
| ST710T/ST711T TrueFashion Compact | LED20S | 830/PC9/DNM | 0,61 | PSU/PSD |
| | | CRW | 0,61 | PSU/PSD |
| | | PW9-3000 | 0,61 | PSU/PSD |
| | | PW9-3500 | 0,61 | PSU/PSD |
| | | PW9-4000 | 0,61 | PSU/PSD |
| | LED27S | 830/PC9/DNM | 0,61 | PSU/PSD |
| | | CRW | 0,61 | PSU/PSD |
| | | PW9-3000 | 0,61 | PSU/PSD/PSD-VLC |
| | PW9-3500 | 0,61 | PSU/PSD | |
| | PW9-4000 | 0,61 | PSU/PSD | |

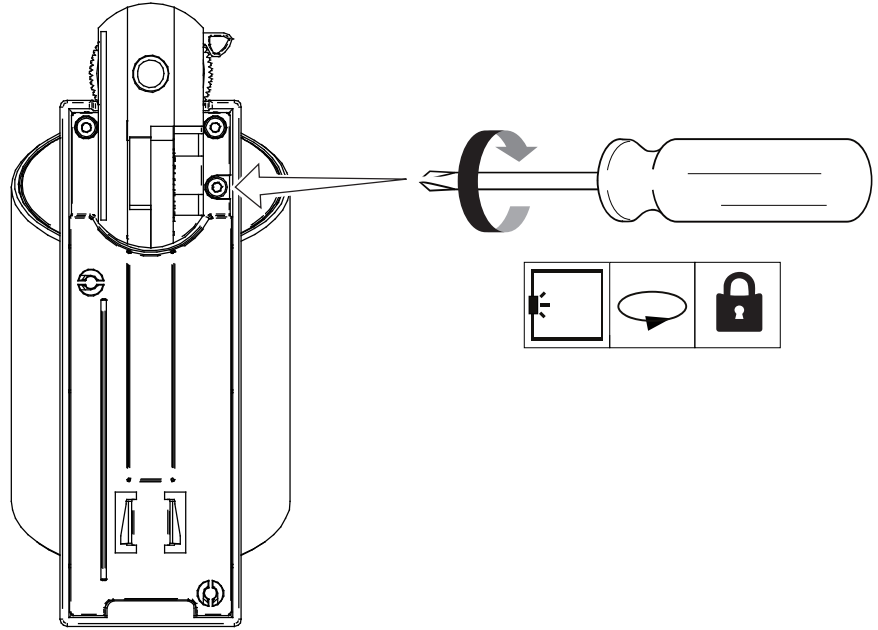
Product Info Label



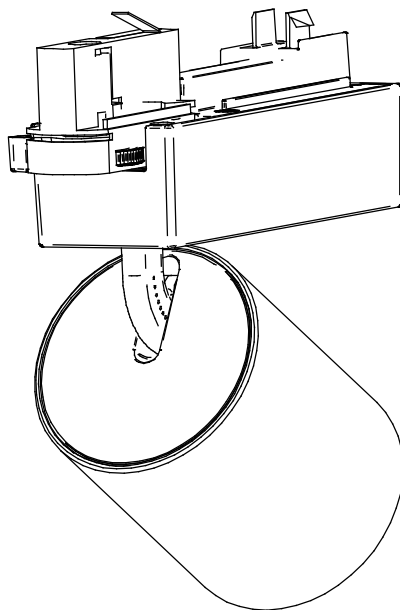
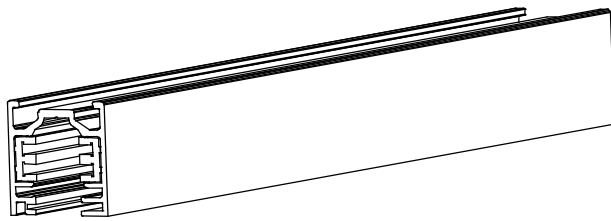
NOTE: LUMINAIRES MUST BE INSTALLED OVER ARM REACH DISTANCE/HEIGHT.
THE SPOT HEAD ADJUSTMENT CAN BE DONE ONLY AFTER THE LUMINAIRE IS COOLED DOWN!



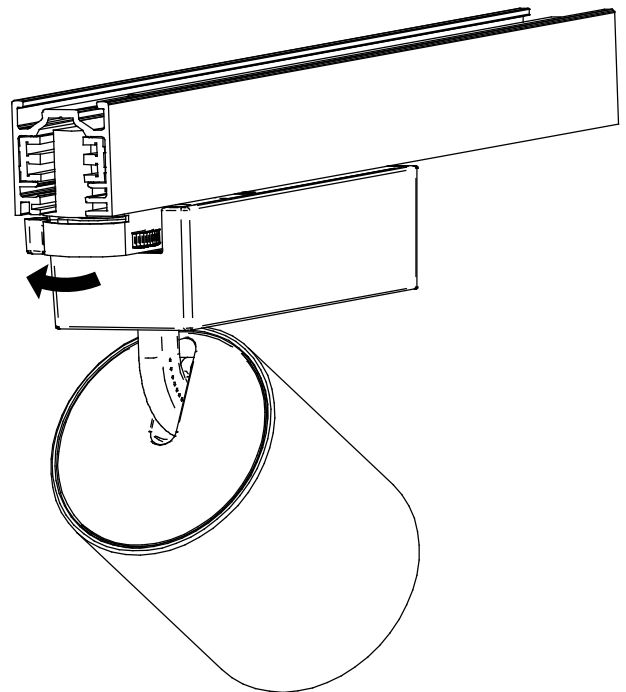
ST700T and ST710T installation



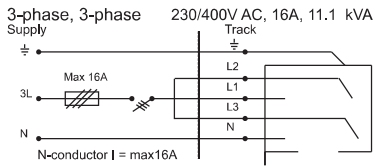
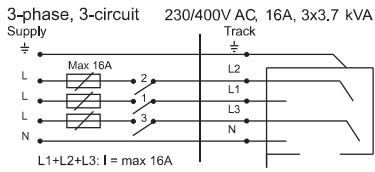
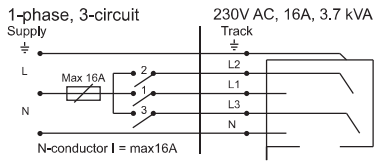
1



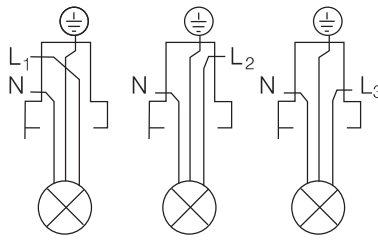
2



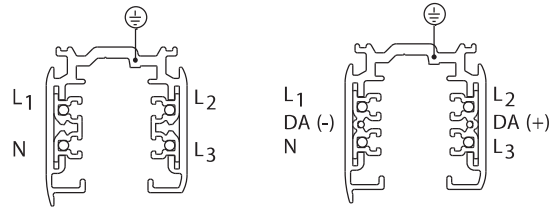
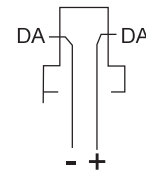
3



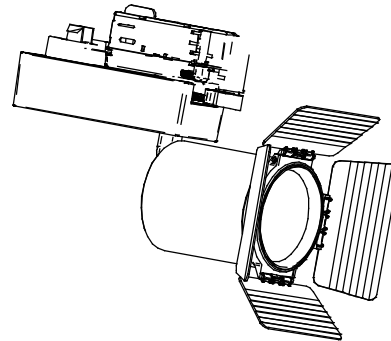
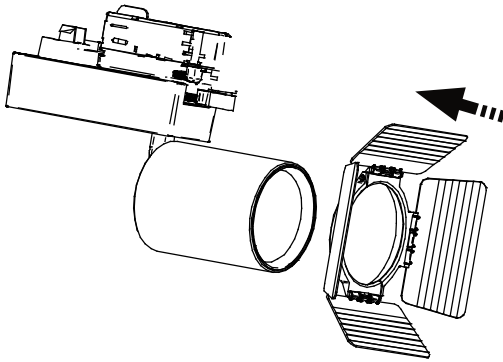
GA 69 & GAC69 Dali - 230 V, 6A



GAC69 Dali - 1A, 50V FELV



ST700Z BD BK Accessory installation



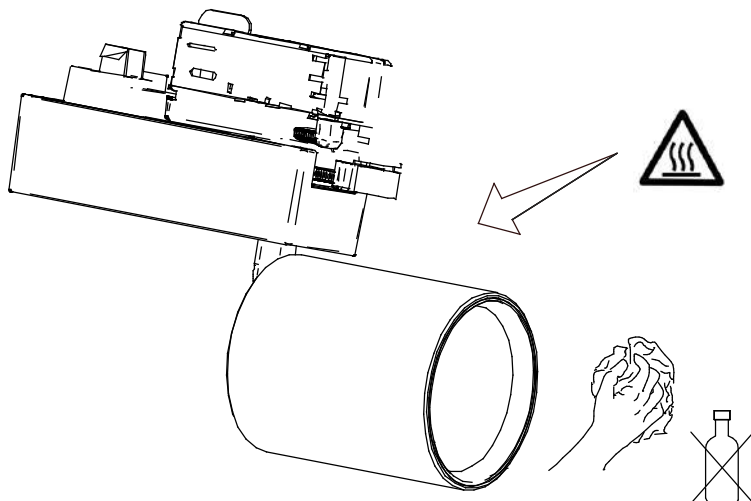
Driver tables

| Xitanium 36W/m 0,3-1,05A 48V 230V (PSU) | | |
|---|----------------------|-----------------------|
| Lum. Pack | CCT | I _{nom.} (A) |
| LED17S | CRW | 0,101 |
| | PW9-3000 | 0,094 |
| | PW9-3500 | 0,094 |
| | PW9-4000 | 0,094 |
| | PC9/DNM | 0,107 |
| LED20S | 830 | 0,091 |
| | PC9/DNM | 0,135 |
| LED27S | PW9-3000 | 0,121 |
| | PW9-3500 | 0,121 |
| | PW9-4000 | 0,121 |
| | CRW | 0,162 |
| | PC9/DNM | 0,151 |
| I _{max.} (A) | 18 | |
| T _{ref.} (us) | 250 | |
| MCB | Max. Products (pcs)* | |
| B-16A | 34 | |

| XITANIUM 36W WH 0,3-1A 54V TD/IS CL (PSD-VLC) | | |
|---|----------------------|-----------------------|
| Lum. Pack | CCT | I _{nom.} (A) |
| LED27S | PW9-3000 | 0,121 |
| I _{max.} (A) | 20,4 | |
| T _{ref.} (us) | 195 | |
| MCB | Max. Products (pcs)* | |
| B-16A | 24 | |

| Xitanium 28W/m 0,6A 46V SC 230V (PSU) | | |
|---------------------------------------|----------------------|-----------------------|
| Lum. Pack | CCT | I _{nom.} (A) |
| LED20S | PW9-3000 | 0,101 |
| | PW9-3500 | 0,101 |
| | PW9-4000 | 0,101 |
| | CRW | 0,118 |
| LED27S | 830 | 0,091 |
| I _{max.} (A) | 6,1 | |
| T _{ref.} (us) | 310 | |
| MCB | Max. Products (pcs)* | |
| B-16A | 34 | |

| XITANIUM 36W/M 0,3-1,05A 54V TD 230V (PSD) | | |
|--|----------------------|-----------------------|
| Lum. Pack | CCT | I _{nom.} (A) |
| LED17S | CRW | 0,101 |
| | PW9-3000 | 0,094 |
| | PW9-3500 | 0,094 |
| | PW9-4000 | 0,094 |
| | PC9/DNM | 0,107 |
| LED20S | 830 | 0,091 |
| | PW9-3000 | 0,101 |
| | PW9-3500 | 0,101 |
| | PW9-4000 | 0,101 |
| LED27S | CRW | 0,118 |
| | PC9/DNM | 0,135 |
| | 830 | 0,091 |
| | PW9-3000 | 0,121 |
| | PW9-3500 | 0,121 |
| | PW9-4000 | 0,121 |
| I _{max.} (A) | 18 | |
| T _{ref.} (us) | 250 | |
| MCB | Max. Products (pcs)* | |
| B-16A | 34 | |



Only with soft cloths!



**LUMINAIRES MUST BE INSTALLED
OUT OF ARM REACH DISTANCE/HEIGHT!**
THE SPOT HEAD CAN BE PERCEIVED AS HOT.
ADJUST THE SPOTHEAD AFTER THE LUMINAIRE IS COOLED DOWN
OR WHEN USING HEAT INSULATING GLOVES.
LUMINAIRE CAN NOT BE OPENED, LIGHTSOURCE CANOT BE REPLACED!



© 2018 Signify Holding.
All rights reserved. This document contains information relating to the product portfolio of Signify which information may be subject to change. No representation or warranty as to the accuracy or completeness of the information included herein is given and any liability for any action in reliance thereon is disclaimed. The information presented in this document is not intended as any commercial offer and does not form part of any quotation or contract. Philips and the Philips Shield Emblem are registered trademarks of Koninklijke Philips N.V.. All other trademarks are owned by Signify Holding or their respective owners.

Signify Holding.
The Netherlands