

LLC7040/00 OLC I-10V

Installation instructions

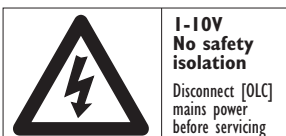
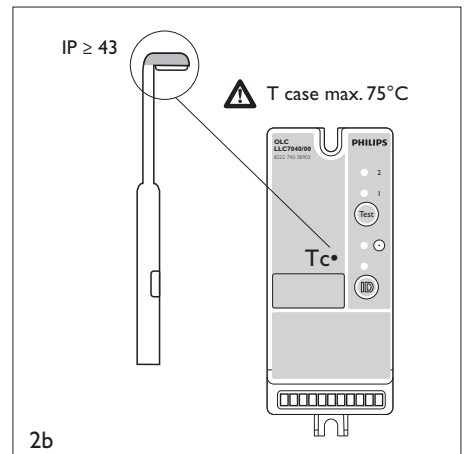
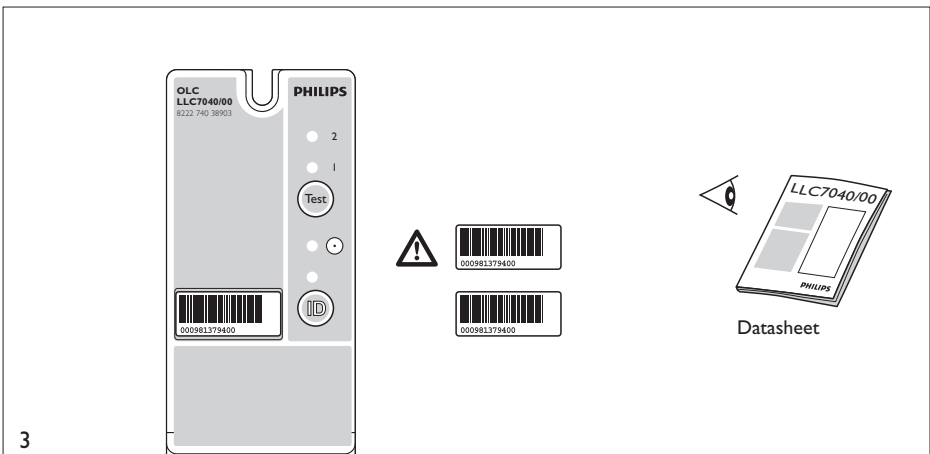
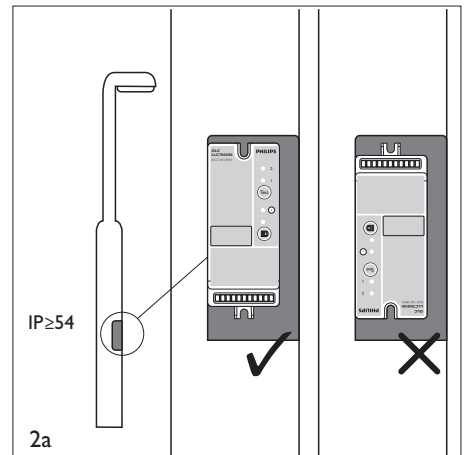
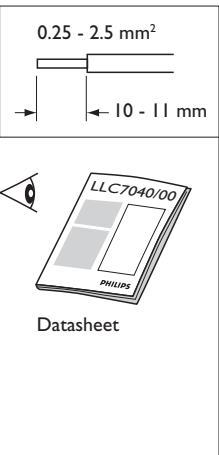
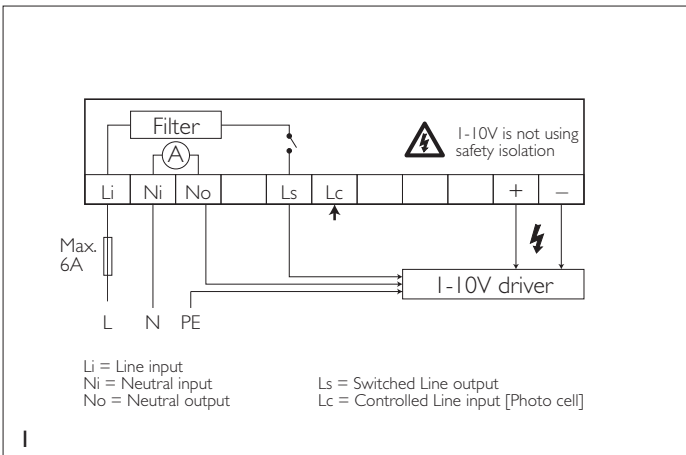
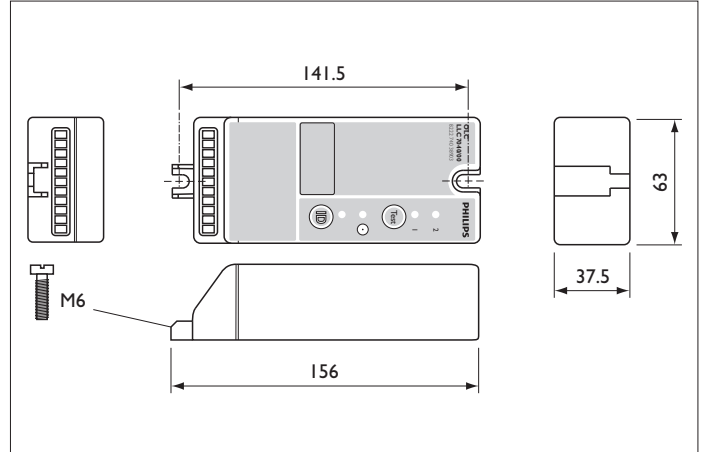
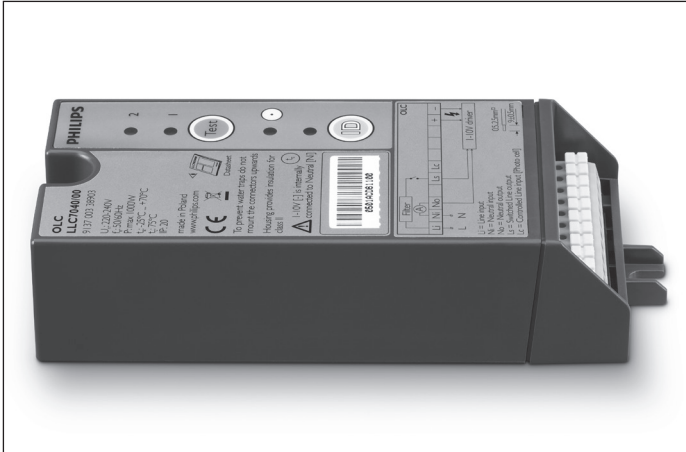
Instructions de montage




Montage instructie

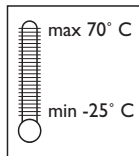
Instrucciones de montaje

Montageanleitung

Istruzioni di montaggio



-  Ensure that the AC power mains are turned OFF before handling the mains wiring, or connecting any power mains cabling to the OLC device.
-  Control 1-10V [-] terminals are internally connected to Neutral terminal [Ni].
-  To prevent water traps do not mount the connectors upwards.
Housing provides insulation for class II.



RH
10 - 90%

kg
0.2 kg

U_n : 220-240V \pm 10%
 P_L : max. 1000W
 f_n : 50/60 Hz

3222 636 46133
04/2010
Data subject to change



<http://www.philips.com/lightingcontrols>

