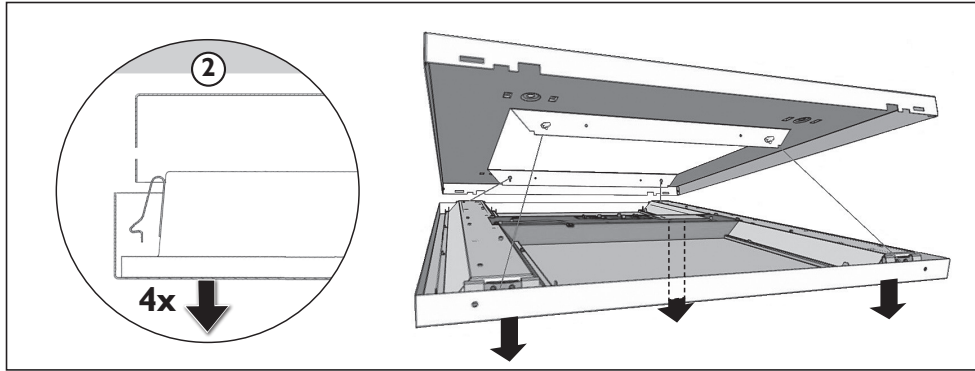
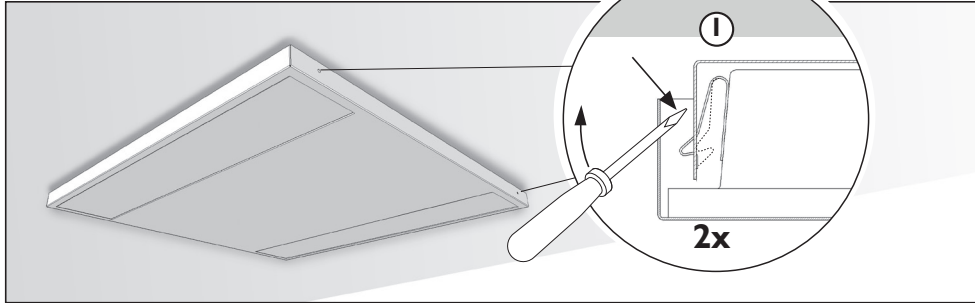


12NC 4427 101 13005 Version
Date: 2015/01/20 Data subject to
change without notice Printed in
Poland www.philips.com/lighting

Service



Maintenance instructions

To assure the lighting quality of this unique LED lighting concept there are a few instructions regarding the maintenance of this LED luminaire:

- Do not touch electronic components!
Electronic components are under high voltage.
Electronic components are ESD sensitive.
- During installation or when maintaining the luminaire please use static free gloves to avoid marks on the luminaire.
- To remove dirt and spots use the following:
 - o Dust: only use micro fiber cloths
 - o Fingerprints, etc.: use a cleaner for synthetic materials with antistatic properties.
- Do not stare into the LED light beam.
- To avoid scratches and dirt on optical parts remove protective foil after installation.
- The luminaire shall be installed by a qualified electrician and wired in accordance with the latest IEE electrical regulations or the national requirements.



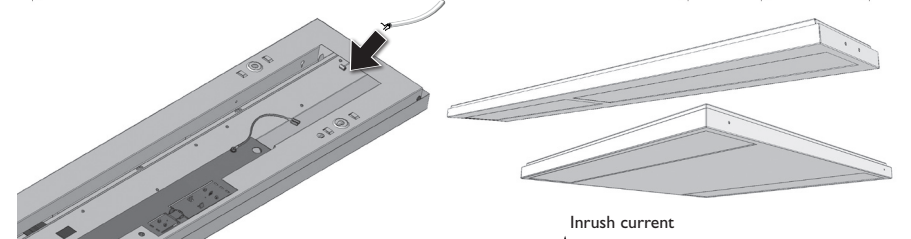
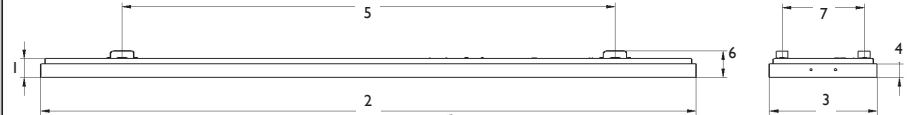
CoreLine SM120V Surface-mounted

Installation instructions

Instructions de montage Instructions de montage Kokoonpano- ja kiinnitysohjeet Szerelési utasítások
Montageanleitung Instruções de montagem Montaj yönergəsi Návod k montáži
Montage instruktie Monteringsinstruktioner Οδηγίες συναρμολόγησις ΙΝΣΤΡΥΚΤΙΟΝ ΠΟ ΜΟΝΤΑΖΥ
Istruzioni di montaggio Monteringsvejledning Instrukcja montazu Návod k montáži

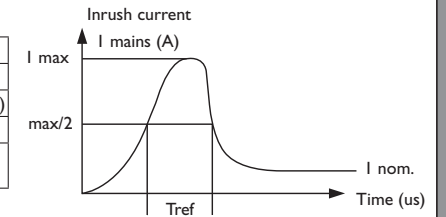


Type	Dimension (mm)							kg
	1	2	3	4	5	6	7	
SM120V W60L60	36	597	597	25	380	50	380	3.7
SM120V W20L120	36	1197	197	25	900	50	150	3.1
SM120V W60L60 EL3	36	597	597	25	380	50	380	4.5

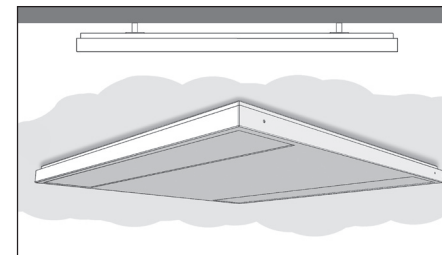


Inrush current peak	22 A (max)
Mains current pulse time half peak	1 ms
Earth leakage current	0.7 mA (max)
Number of drivers on one MCB (16A type-B)*	24 (max)
Number of drivers connected to one 30 mA residual current detector*	24 (max)

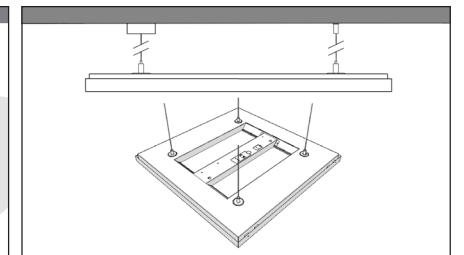
*verify per installation



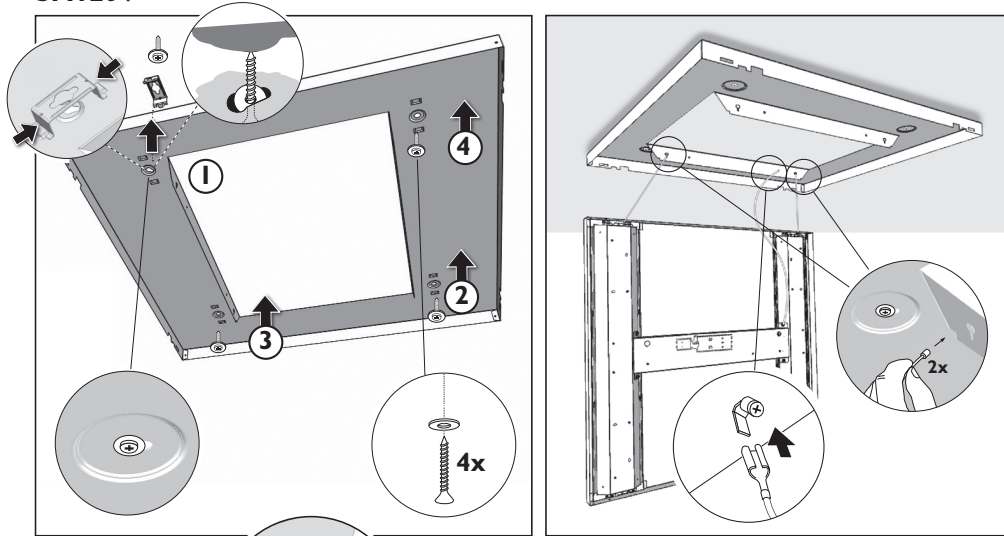
SM120V



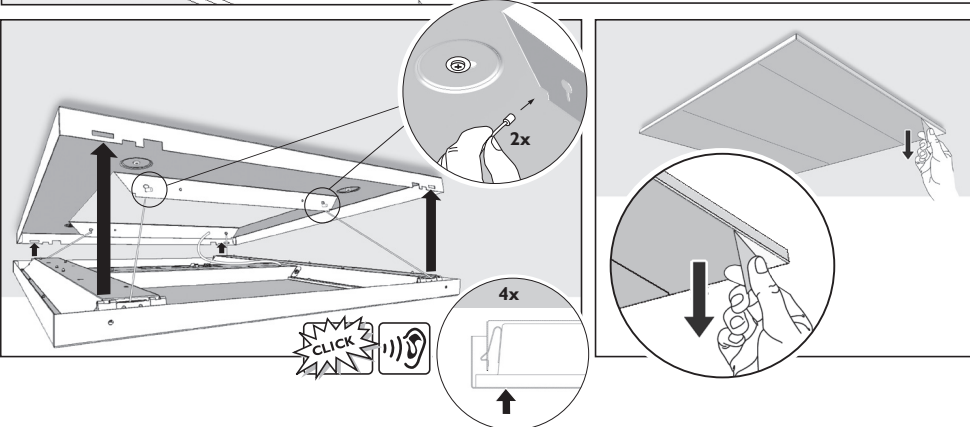
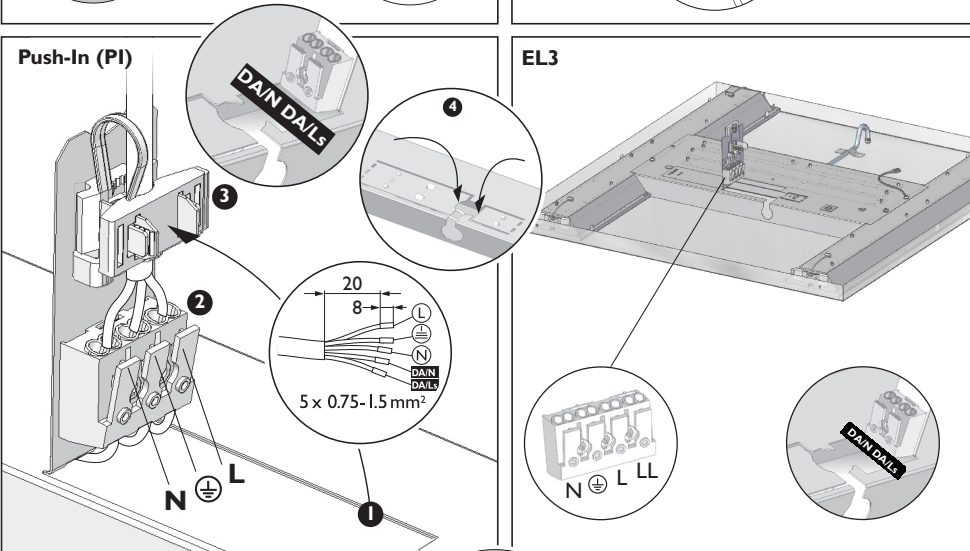
SM120V + SM120Z SME-3/SME-5



SMI20V



Push-In (PI)



SMI20V + SMI20Z SME-3/SME-5

