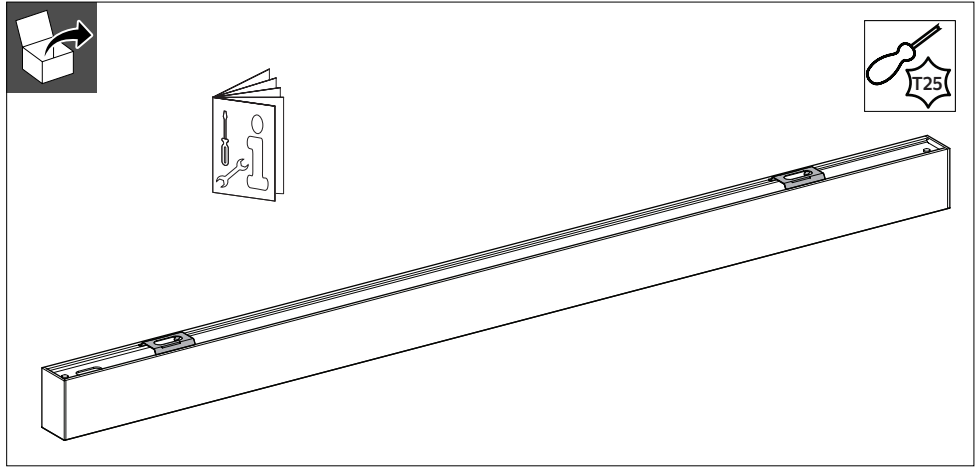


PHILIPS

TrueLine

SM530P EL



220V
240V

50Hz
60Hz

4A
MAX.

IP40

IK02

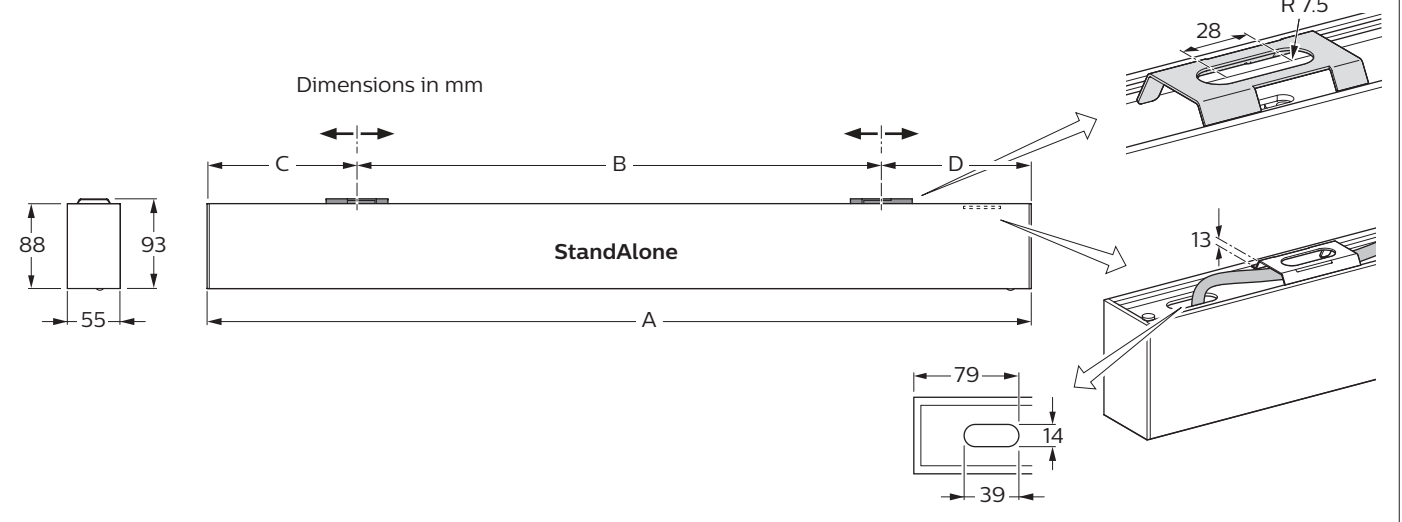
GLOW
WIRE
650 °C

Max.
40 °C
Min.
10 °C

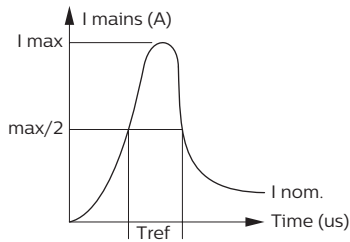


Surface Mounted	A	B	C	D	
Standalone	1449	1031	200	219	5.1


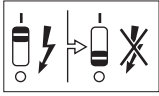

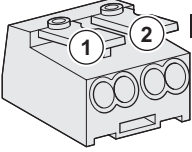
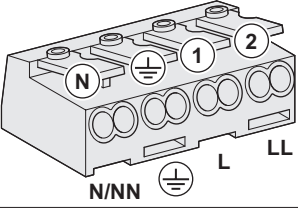
Surface Mounted



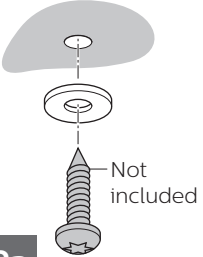
Inrush current

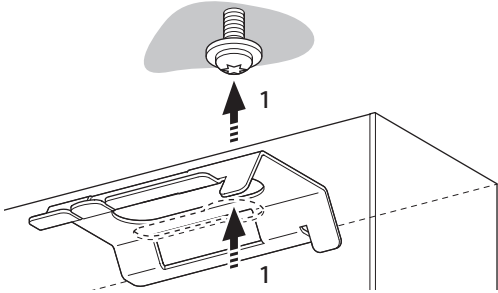


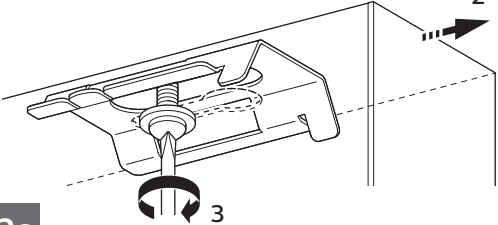
I _{max} (A)	19
T _{ref} (μs)	280
Condition: Input voltage 220V	
MCB	Luminaires Max.
B-10A	15
B-13A	19
B-16A	24
B-20A	30
B-25A	37
C-10A	24
C-13A	32
C-16A	40
C-20A	49
C-25A	62


   **Push-in (PIP)
PI-6**  **DALI I** 

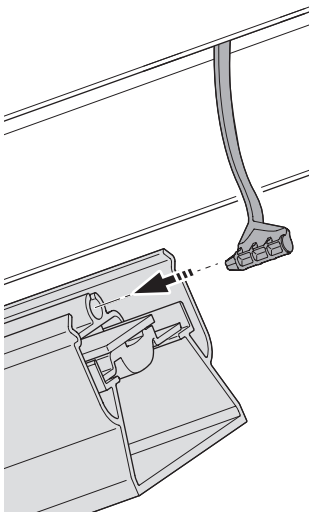
1

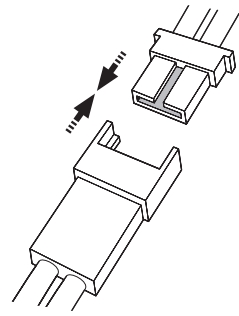
2a  Not included

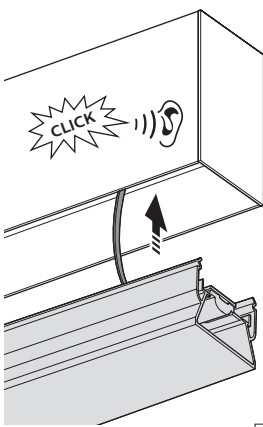
2b 


2c 




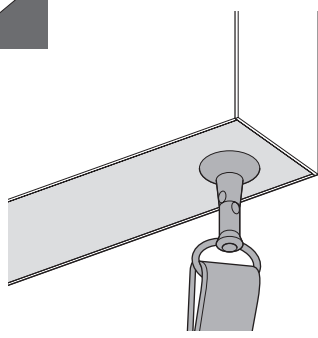
9a 

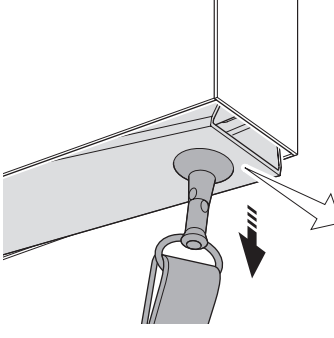
9b 


9c 

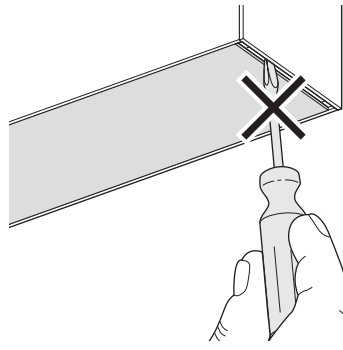


 **Cover remover (ZZS400 OCR)**









Replace 4a, b, c

PoE-ELE

Condition Philips to specify to the customers (instruction):

- > to use UTP (Unshielded Twisted Pair) CAT5E or CAT6 cable.
- > the maximum length of the cable to be 20 meters.

Apply a minimum radius of the Ethernet cable of 4x the cable diameter.

