



DTP170

Color Touchscreen

A feature-rich 7-inch color LCD touchscreen

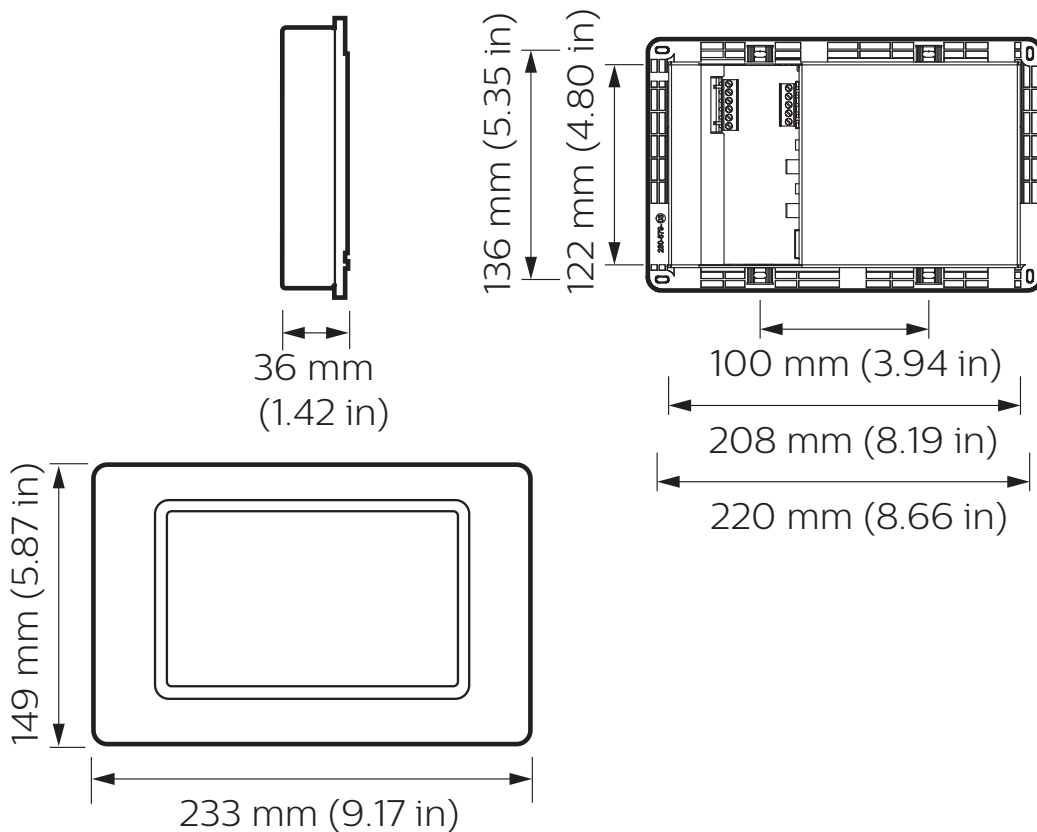
A Philips Dynalite touchscreen adds a new dimension of control to any automation application. The DTP170 supports a range of features that provide end-users with the ultimate in automation system interaction. The screen can be customized to control all automation elements from one location. The device features a screen size of 94 x 155 mm (3.70 x 6.10 in).

DTP170

A feature-rich 7-inch color LCD touchscreen

- **Vivid graphics and sophisticated onscreen controls** – Objects such as logos, buttons, faders, floor plans and diagnostic icons can be placed on pages to perform simple or complex control functions.
- **Simple page creation** – Easy-to-use pages are created using Philips Dynalite's touchscreen editor and JavaScript is fully supported.
- **Windows operating system and full Internet connectivity** – Runs Windows CE with audio and video support.
- **Décor matching capability** – The innovative clip-on fascia can be matched with Revolution series user interfaces, or customized using practically any flat architectural medium.

Dimensions



Specifications

Due to continuous improvements and innovations, specifications may change without notice.



DTP170
Color Touchscreen

Electrical

Supply Type	DC (external PSU available from Philips Dynalite)
Supply Voltage	12-24 VDC SELV/Class 2
Supply Current	600 mA @ 12 VDC 350 mA @ 24 VDC

Display

Screen Type	TFT LCD resistive touchscreen
Viewable Area	94 x 155 mm (3.70 x 6.10 in) Diagonal 178 mm (7.01 in)
Resolution	800 x 480 (WVGA)
Screen Ratio	16:9
Color Depth	16-bit (65536 colors)
Contrast	300:1
Luminance	280 cd/m ²
Viewing angle	65° Horizontal 60° V _{top} 50° V _{bottom}

Communication

Serial Ports	1 x RS-485 1 x Mini-B USB (programming port) 1 x Mini-B USB (keyboard/mouse)
Supported Protocols	DyNet
User Inputs	1 x service switch
Audio	2 x stereo speakers 1 x 3.5 mm stereo jack

Hardware

CPU	624 MHz Intel XScale PXA310
Flash Memory	512 MB
SDRAM	128 MB

OS & Software

Operating System	Windows CE 6.0
Browser	Internet Explorer 6

Physical

Dimensions (H x W x D)	149 x 233 x 36 mm (5.87 x 9.17 x 1.42 in)
Packed Weight (application module)	1.9 kg (4.19 lb)
Construction	Concealed fixings fascia Metal body and wallbox (supplied separately)
Serial Ports	2 x Mini-B USB 1 x RJ12 1 x 5-way screw terminal +V, D-, D+, GND, SHLD
Serial Port Conductor Size	2.5 mm ² (#12 AWG) (max)

Environment

Operating Temperature	-5° to 45°C ambient (23° to 113°F)
Storage/Transport Temperature	-25° to 60°C ambient (-13° to 140°F)
Humidity	0 to 90% non-condensing
IEC Pollution Degree	II

Compliance

Certification	CE, RCM, FCC, ICES, RoHS
---------------	--------------------------



Ordering Code

Product	Philips 12NC
DTP170 (w/ stainless steel fascia, no wallbox)	913703075709
DTP170 (w/ stainless steel fascia and wallbox)	913703076109
DTP170-BG (w/ black borosilicate glass fascia, no wallbox)	913703076409
DTP170-WG (w/ white optically clear starfire glass fascia, no wallbox)	913703075409
Accessories	
DTP170-WALLBOX	913703076209

