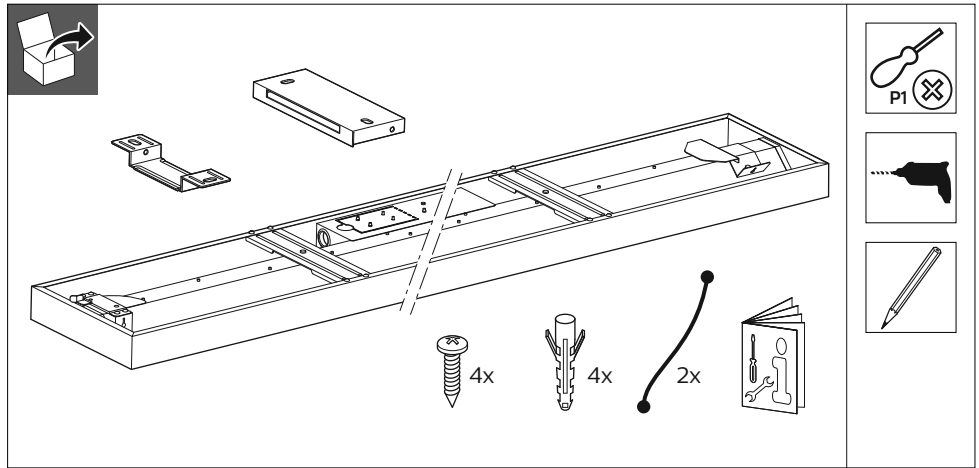


PHILIPS

Ledinaire Surface-mounted

SM060C



50Hz
60Hz

220V
240V

LIFE
L70B50
30K hrs

IP20

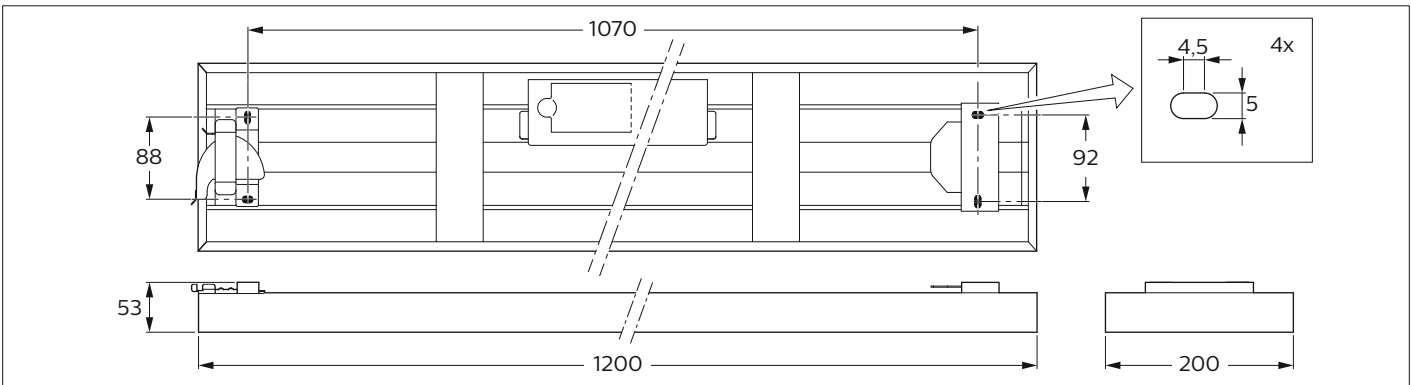
IK03

Max.
40 °C
Min.
10 °C

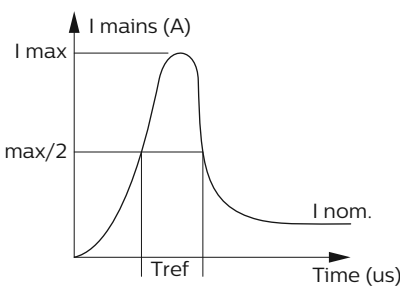
GLOW
WIRE
650 °C



	System lumen	CCT	Driver	P(W)	kg
SM060C LED32S/830 PSU W20L120	3200lm	3000K	PSU	36	2.8
SM060C LED32S/840 PSU W20L120		4000K			



Inrush current



	LED34S	
	Electrical characteristics	
Inom(mA)	240	
I max.(A)	5,3	
Tref(us)	70	
MCB	Luminaires Max.	
B-10A	15	
B-16A	24	
C-10A	24	
C-16A	40	



- The luminaire shall be installed by a qualified electrician and wired in accordance with the latest IEE electrical regulations or the national requirements.
- LED board & led driver are not serviceable and replaceable.



ATTENTION
OBSERVE PRECAUTIONS
FOR HANDLING
ELECTROSTATIC
SENSITIVE
DEVICES

