



Product Description

HF-Regulator II for PL-T/C

Compact, lightweight High-Frequency electronic regulating ballast for PL-T and PL-C compact fluorescent lamps

Benefits

- The lamp power can be dimmed from 1 to 100% via the Analog control input (in accordance with the 1-10 V industry standard)
- Compliant with European and Asian norms and suitable for emergency lighting systems
- HF operation improves light quality, lamp lifetime
- Combined with controls, additional energy savings can be achieved

Features

- Programmed start: flicker-free ignition < 0.5 seconds and striation-free operation, no stroboscopic effects. Preheating the lamp electrodes enables the lamps to be switched on and off without reducing life
- Smart power ensures constant light, independent of mains fluctuations
- Up to 60% reduction in energy consumption by using automatic lighting control systems
- Stop circuit is activated within 5 seconds in the event of lamp failure (safety stop), and ballast resets automatically after lamp replacement

HF-Regulator II for PL-T/C

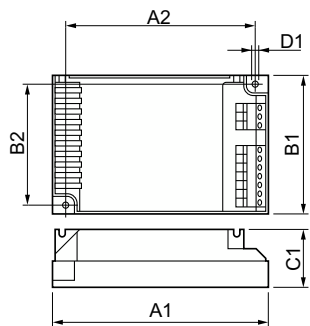
Application

- 1 - 10V installations with daylight linking and/or movement detection (energy saving)
- 1 - 10V installations with remote control systems (comfort)
- Installations with emergency back-up according to VDE 0108-100 / EN 60598-2-22
- Installations with daylight-linked and remote control systems
- Installations with infrared remote control systems
- Conference rooms
- Cinemas
- Department stores, shops, supermarkets
- Office buildings: insurance companies, banks, government ministries
- Hospitals
- Hotels

Versions



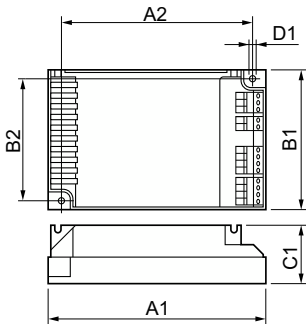
Dimensional drawing



Product	D1	C1	A1	A2	B1	B2
HF-R 126-42 PL-T/C EII 220-240V 50/60Hz	4.5 mm	33.0 mm	123.0 mm	111.0 mm	79.0 mm	67.0 mm

HF-Regulator II for PL-T/C

Dimensional drawing



Product	D1	C1	A1	A2	B1	B2
HF-R 2 26-42 PL-T/C EII 220-240V 50/60Hz	4.5 mm	33.0 mm	123.0 mm	111.0 mm	79.0 mm	67.0 mm
HF-R 218 PL-T/C EII 220-240V 50/60Hz	4.5 mm	33.0 mm	123.0 mm	111.0 mm	79.0 mm	67.0 mm

Operating and Electrical

Input Frequency	50 to 60 Hz
Input Voltage	220 to 240 V
Line Frequency	50 to 60 Hz

Mechanical and Housing

Housing	S 123x79x33
---------	-------------

Approval and Application

Energy Efficiency Index	A1 BAT
-------------------------	--------

Operating and Electrical

Order Code	Full Product Name	Number of Products on MCB (16A Type B) (Nom)
80972500	HF-R 2 26-42 PL-T/C EII 220-240V 50/60Hz	12
80971800	HF-R 1 26-42 PL-T/C EII 220-240V 50/60Hz	28

Order Code	Full Product Name	Number of Products on MCB (16A Type B) (Nom)
17698500	HF-R 218 PL-T/C EII 220-240V 50/60Hz	28

