



As easy as 1, 2, 3

Mark 10 Powerline

For companies looking to make their fixed-output linear T8, 4-pin CFL, and T5/HO fluorescent systems more cost effective and sustainable, Mark 10 Powerline ballasts provide an easy solution without the need for additional control leads. Simply, (1) replace the ballast, (2) replace the switch, (3) dim the lights, that is all it takes. It's that easy to bring the convenience and flexibility of fluorescent dimming to conference rooms, private offices, auditoriums, architectural cove lighting – anywhere dimming is required.

Benefits

- Compatible with controls from numerous manufacturers without using separate control leads - Powerline dimming interface
- Ideal for frequent switching applications such as occupancy sensors and daylight harvesting - Programmed start operation

Features

- Available in linear fluorescent and 4-pin compact fluorescent models
- Full range continuous dimming (100% light output down to 5% - T5HO to 1%)

Application

- Conference rooms, private offices, auditoriums, architectural cove, auditoriums, educational facilities, hotels, restaurants, and department stores

Mark 10 Powerline

Versions



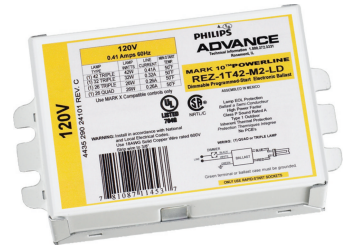
REZ15435M



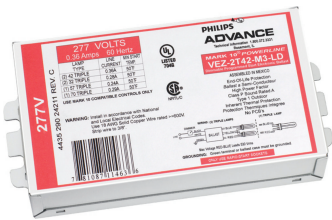
REZ255435M



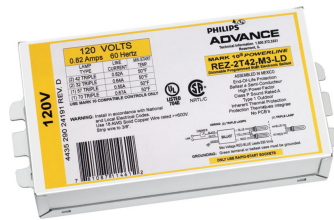
VEZ15435M



REZ1T42M2LD35M



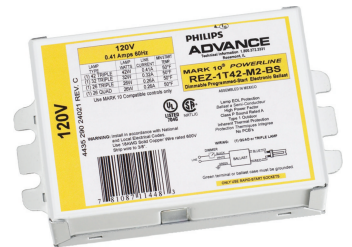
VEZ1T42M2LD35M



REZ2T42M3LD35M



REZ2S32SC35M



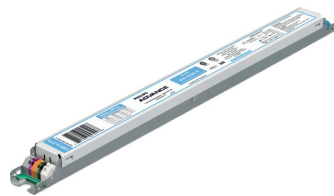
REZ1T42M2BS35M



REZ2T42M3BS35M



VEZ2S32SC35M

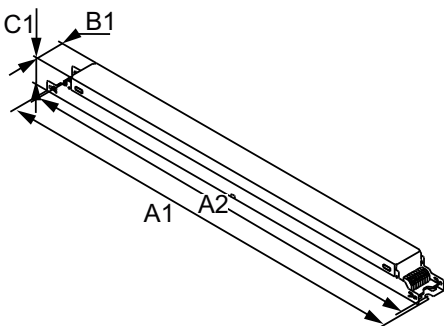


IEZ124D35M



VEZ1T42M2BS35M

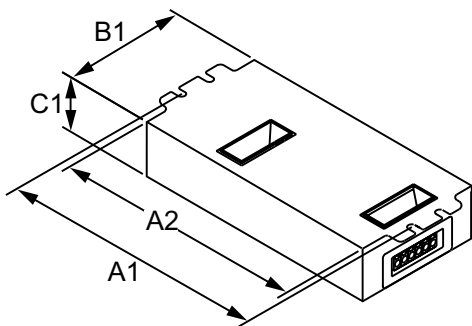
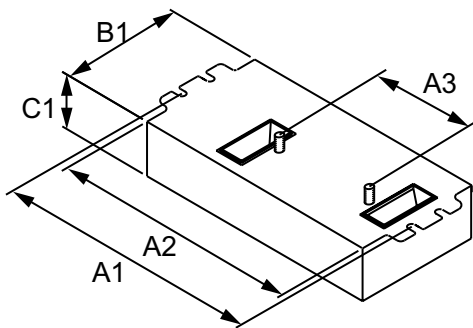
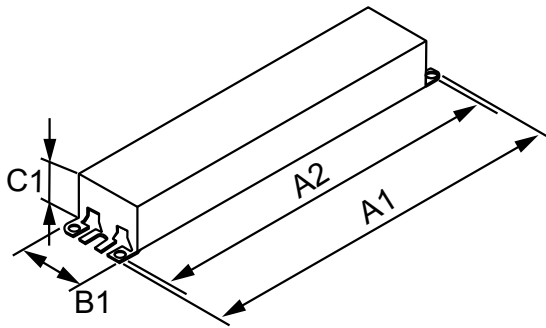
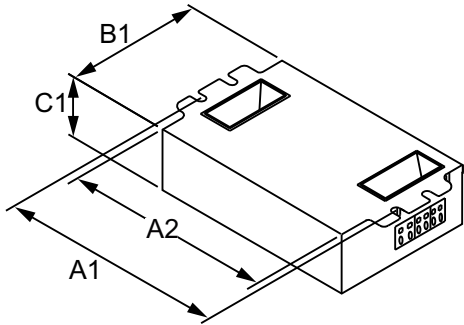
Dimensional drawing



Product	A1	A2	B1	C1
MARK 10 POWERLINE VEZ2S5435M	16.70 in	16.34 in	1.18 in	1.00 in
MARK 10 POWERLINE IEZ2S24D35M	16.70 in	16.34 in	1.18 in	1.00 in
MARK 10 POWERLINE IEZ2S28D35M	16.7 in	1.18 in	1.0 in	
MARK 10 POWERLINE IEZ128D35M	16.7 in	1.18 in	1.0 in	
MARK 10 POWERLINE VEZ15435M	16.70 in	16.34 in	1.18 in	1.00 in
MARK 10 POWERLINE REZ2S5435M	16.70 in	16.34 in	1.18 in	1.00 in
MARK 10 POWERLINE REZ15435M	16.70 in	16.34 in	1.18 in	1.00 in

Mark 10 Powerline

Dimensional drawing



Product	A1	A2	B1	C1
MARK 10 POWERLINE REZ1T42M2LDK	4.55 in	4.20 in	3.00 in	1.29 in
MARK 10 POWERLINE VEZ2Q26M2LDK	4.55 in	4.20 in	3.00 in	1.29 in
MARK 10 POWERLINE VEZ1T42M2LDK	4.55 in	4.20 in	3.00 in	1.29 in
MARK 10 POWERLINE REZ2Q18M2LD35M	4.55 in	4.20 in	3.00 in	1.29 in
MARK 10 POWERLINE VEZ2Q26M2LD35M	4.55 in	4.20 in	3.00 in	1.29 in
MARK 10 POWERLINE REZ2Q26M2LDK	4.55 in	4.20 in	3.00 in	1.29 in
MARK 10 POWERLINE REZ2Q26M2LD35M	4.55 in	4.20 in	3.00 in	1.29 in
MARK 10 POWERLINE VEZ1T42M2LD35M	4.55 in	4.20 in	3.00 in	1.29 in
MARK 10 POWERLINE REZ1T42M2LD35M	4.55 in	4.20 in	3.00 in	1.29 in

Product	A1	A2	B1	C1
MARK 10 POWERLINE VEZ2TTS40SC35M	9.5 in	8.90 in	1.7 in	1.18 in
MARK 10 POWERLINE REZ2TTS40SC35M	9.5 in	8.90 in	1.7 in	1.18 in
MARK 10 POWERLINE VEZ3S32SC35I	9.5 in	8.90 in	1.7 in	1.18 in
MARK 10 POWERLINE VEZ2S32SC35I	9.5 in	8.90 in	1.7 in	1.18 in
MARK 10 POWERLINE VEZ132SC35I	9.5 in	8.90 in	1.7 in	1.18 in
MARK 10 POWERLINE REZ3S32SC35I	9.5 in	8.90 in	1.7 in	1.18 in
MARK 10 POWERLINE REZ2S32SC35I	9.5 in	8.90 in	1.7 in	1.18 in
MARK 10 POWERLINE REZ1TTS40SC35M	9.5 in	8.90 in	1.7 in	1.18 in
MARK 10 POWERLINE REZ132SC35I	9.5 in	8.90 in	1.7 in	1.18 in
MARK 10 POWERLINE REZ132SC35M	9.5 in	8.90 in	1.7 in	1.18 in
MARK 10 POWERLINE VEZ132SC35M	9.5 in	8.90 in	1.7 in	1.18 in
MARK 10 POWERLINE VEZ3S32SC35M	9.5 in	8.90 in	1.7 in	1.18 in
MARK 10 POWERLINE VEZ2S32SC35M	9.5 in	8.90 in	1.7 in	1.18 in
MARK 10 POWERLINE REZ3S32SC35M	9.5 in	8.90 in	1.7 in	1.18 in
MARK 10 POWERLINE REZ2S32SC35M	9.5 in	8.90 in	1.7 in	1.18 in

Product	A1	A2	A3	B1	C1
MARK 10 POWERLINE VEZ1T42M2BS35M	4.55 in	4.20 in	2.00 in	3.00 in	1.29 in
MARK 10 POWERLINE REZ2T42M3BS35M	6.0 in	5.5 in	2.00 in	3.00 in	1.29 in
MARK 10 POWERLINE REZ2Q26M2BS35M	4.55 in	4.20 in	2.00 in	3.00 in	1.29 in
MARK 10 POWERLINE REZ1T42M2BS35M	4.55 in	4.20 in	2.00 in	3.00 in	1.29 in

Product	A1	A2	B1	C1
MARK 10 POWERLINE REZ2T42M3LD35M	6.0 in	5.5 in	3.00 in	1.29 in

Mark 10 Powerline

Operating and Electrical

Total Harmonic Distortion USA 10 %

Operating and Electrical

Order Code	Full Product Name	Input Frequency	Input Voltage
913700500531	MARK 10 POWERLINE ELE DIMMING BALLAST (1) F54T5/HO 120V	60 Hz	120 V
913700500541	MARK 10 POWERLINE ELE DIMMING BALLAST (2) F54T5/HO 120V	60 Hz	120 V
913700501461	MARK 10 POWERLINE ELE DIMMING BALLAST (1) F54T5/HO 277V	60 Hz	277 V
913700501471	MARK 10 POWERLINE ELE DIMMING BALLAST (2) F54T5/HO 277V	60 Hz	277 V
913700501481	MARK 10 POWERLINE ELE DIM BALLAST (1) 42W CFL (4-PIN) 120V	60 Hz	120 V
913700501761	MARK 10 POWERLINE ELE DIM BALLAST (2) 26W CFL (4-PIN) 120V	60 Hz	120 V
913700501951	MARK 10 POWERLINE ELE DIM BAL (2) 26W CFL (4-PIN) 120V KIT	60 Hz	120 V
913710231402	MARK 10 POWERLINE ELE DIM BALLAST (2) 18W CFL (4-PIN) 120V	60 Hz	120 V
913700501491	MARK 10 POWERLINE ELE DIM BALLAST (1) 42W CFL (4-PIN) 277V	60 Hz	277 V
913700508271	MARK 10 POWERLINE ELE DIM BALLAST (2) 26W CFL (4-PIN) 277V	60 Hz	277 V
913710250404	MARK 10 POWERLINE ELE DIM BAL (1) 42W CFL (4-PIN) 277V KIT	60 Hz	277 V
913710251104	MARK 10 POWERLINE ELE DIM BAL (2) 26W CFL (4-PIN) 277V KIT	60 Hz	277 V
913700501511	MARK 10 POWERLINE ELE DIM BALLAST (2) 42W CFL (4-PIN) 120V	60 Hz	120 V
913700501621	MARK 10 POWERLINE ELE DIMMING BALLAST (2) F32T8 120V	60 Hz	120 V
913700507891	MARK 10 POWERLINE ELE DIMMING BALLAST (3) F32T8 120V	60 Hz	120 V
913700525301	MARK 10 POWERLINE ELE DIMMING BALLAST (1) F32T8 120V	60 Hz	120 V
913710230801	MARK 10 POWERLINE ELE DIMMING BALLAST (1) F32T8 120V	60 Hz	120 V
913710231202	MARK 10 POWERLINE ELE DIM BALLAST (1) 40W CFL (4-PIN) 120V	60 Hz	120 V

Order Code	Full Product Name	Input Frequency	Input Voltage
913710231601	MARK 10 POWERLINE ELE DIMMING BALLAST (2) F32T8 120V	60 Hz	120 V
913710232101	MARK 10 POWERLINE ELE DIMMING BALLAST (3) F32T8 120V	60 Hz	120 V
913710287702	MARK 10 POWERLINE ELE DIM BALLAST (2) 40W CFL (4-PIN) 120V	60 Hz	120 V
913700507851	MARK 10 POWERLINE ELE DIM BALLAST (1) 42W CFL (4-PIN) 120V	60 Hz	120 V
913700507871	MARK 10 POWERLINE ELE DIM BALLAST (2) 26W CFL (4-PIN) 120V	60 Hz	120 V
913710800801	MARK 10 POWERLINE ELE DIM BAL (1) 42W CFL (4-PIN) 120V KIT	60 Hz	120 V
913700507881	MARK 10 POWERLINE ELE DIM BALLAST (2) 42W CFL (4-PIN) 120V	60 Hz	120 V
913700509131	MARK 10 POWERLINE ELE DIMMING BALLAST (2) F32T8 277V	60 Hz	277 V
913700509221	MARK 10 POWERLINE ELE DIMMING BALLAST (3) F32T8 277V	60 Hz	277 V
913700509331	MARK 10 POWERLINE ELE DIMMING BALLAST (1) F32T8 277V	60 Hz	277 V
913710249901	MARK 10 POWERLINE ELE DIMMING BALLAST (1) F32T8 277V	60 Hz	277 V
913710251201	MARK 10 POWERLINE ELE DIMMING BALLAST (2) F32T8 277V	60 Hz	277 V
913710252001	MARK 10 POWERLINE ELE DIMMING BALLAST (3) F32T8 277V	60 Hz	277 V
913710287802	MARK 10 POWERLINE ELE DIM BALLAST (2) 40W CFL (4-PIN) 277V	60 Hz	277 V
913701253902	MARK 10 POWERLINE ELE DIMMING BALLAST (1) F28T5 120-277V	50 to 60 Hz	120 to 277 V
913701254002	MARK 10 POWERLINE ELE DIMMING BALLAST (2) F28T5 120-277V	50 to 60 Hz	120 to 277 V
913710288902	MARK 10 POWERLINE ELE DIMMING BALLAST (2) F24T5HO 120-277V	50 to 60 Hz	120 to 277 V
913710250302	MARK 10 POWERLINE ELE DIM BALLAST (1) 42W CFL (4-PIN) 277V	60 Hz	277 V

General Information

Order Code	Full Product Name	Number Of	
		Lamps	Lamp Type
913700500531	MARK 10 POWERLINE ELE DIMMING BALLAST (1) F54T5/HO 120V	1 piece/unit	F54T5/HO
913700500541	MARK 10 POWERLINE ELE DIMMING BALLAST (2) F54T5/HO 120V	2 piece/unit	F54T5/HO

Order Code	Full Product Name	Number Of	
		Lamps	Lamp Type
913700501461	MARK 10 POWERLINE ELE DIMMING BALLAST (1) F54T5/HO 277V	1 piece/unit	F54T5/HO
913700501471	MARK 10 POWERLINE ELE DIMMING BALLAST (2) F54T5/HO 277V	2 piece/unit	F54T5/HO

Mark 10 Powerline

Order Code	Full Product Name	Number Of	
		Lamps	Lamp Type
913700501481	MARK 10 POWERLINE ELE DIM BALLAST (1) 42W CFL (4-PIN) 120V	1 piece/unit	CFTR42W/ GX24Q
913700501761	MARK 10 POWERLINE ELE DIM BALLAST (2) 26W CFL (4-PIN) 120V	2 piece/unit	CFQ26W/ G24Q
913700501951	MARK 10 POWERLINE ELE DIM BAL (2) 26W CFL (4-PIN) 120V KIT	2 piece/unit	CFQ26W/ G24Q
913710231402	MARK 10 POWERLINE ELE DIM BALLAST (2) 18W CFL (4-PIN) 120V	2 piece/unit	CFQ18W/ G24Q
913700501491	MARK 10 POWERLINE ELE DIM BALLAST (1) 42W CFL (4-PIN) 277V	1 piece/unit	CFTR42W/ GX24Q
913700508271	MARK 10 POWERLINE ELE DIM BALLAST (2) 26W CFL (4-PIN) 277V	2 piece/unit	CFQ26W/ G24Q
913710250404	MARK 10 POWERLINE ELE DIM BAL (1) 42W CFL (4-PIN) 277V KIT	1 piece/unit	CFTR42W/ GX24Q
913710251104	MARK 10 POWERLINE ELE DIM BAL (2) 26W CFL (4-PIN) 277V KIT	2 piece/unit	CFQ26W/ G24Q
913700501511	MARK 10 POWERLINE ELE DIM BALLAST (2) 42W CFL (4-PIN) 120V	2 piece/unit	CFTR42W/ GX24Q
913700501621	MARK 10 POWERLINE ELE DIMMING BALLAST (2) F32T8 120V	2 piece/unit	F32T8
913700507891	MARK 10 POWERLINE ELE DIMMING BALLAST (3) F32T8 120V	3 piece/unit	F32T8
913700525301	MARK 10 POWERLINE ELE DIMMING BALLAST (1) F32T8 120V	1 piece/unit	F32T8
913710230801	MARK 10 POWERLINE ELE DIMMING BALLAST (1) F32T8 120V	1 piece/unit	F32T8
913710231202	MARK 10 POWERLINE ELE DIM BALLAST (1) 40W CFL (4-PIN) 120V	1 piece/unit	FT40W/2G11
913710231601	MARK 10 POWERLINE ELE DIMMING BALLAST (2) F32T8 120V	2 piece/unit	F32T8
913710232101	MARK 10 POWERLINE ELE DIMMING BALLAST (3) F32T8 120V	3 piece/unit	F32T8

Order Code	Full Product Name	Number Of	
		Lamps	Lamp Type
913710287702	MARK 10 POWERLINE ELE DIM BALLAST (2) 40W CFL (4-PIN) 120V	2 piece/unit	FT40W/2G11
913700507851	MARK 10 POWERLINE ELE DIM BALLAST (1) 42W CFL (4-PIN) 120V	1 piece/unit	CFTR42W/ GX24Q
913700507871	MARK 10 POWERLINE ELE DIM BALLAST (2) 26W CFL (4-PIN) 120V	2 piece/unit	CFQ26W/ G24Q
913710800801	MARK 10 POWERLINE ELE DIM BAL (1) 42W CFL (4-PIN) 120V KIT	1 piece/unit	CFTR42W/ GX24Q
913700507881	MARK 10 POWERLINE ELE DIM BALLAST (2) 42W CFL (4-PIN) 120V	2 piece/unit	CFTR42W/ GX24Q
913700509131	MARK 10 POWERLINE ELE DIMMING BALLAST (2) F32T8 277V	2 piece/unit	F32T8
913700509221	MARK 10 POWERLINE ELE DIMMING BALLAST (3) F32T8 277V	3 piece/unit	F32T8
913700509331	MARK 10 POWERLINE ELE DIMMING BALLAST (1) F32T8 277V	1 piece/unit	F32T8
913710249901	MARK 10 POWERLINE ELE DIMMING BALLAST (1) F32T8 277V	1 piece/unit	F32T8
913710251201	MARK 10 POWERLINE ELE DIMMING BALLAST (2) F32T8 277V	2 piece/unit	F32T8
913710252001	MARK 10 POWERLINE ELE DIMMING BALLAST (3) F32T8 277V	3 piece/unit	F32T8
913710287802	MARK 10 POWERLINE ELE DIM BALLAST (2) 40W CFL (4-PIN) 277V	2 piece/unit	FT40W/2G11
913701253902	MARK 10 POWERLINE ELE DIMMING BALLAST (1) F28T5 120-277V	1 piece/unit	F28T5
913701254002	MARK 10 POWERLINE ELE DIMMING BALLAST (2) F28T5 120-277V	2 piece/unit	F28T5
913710288902	MARK 10 POWERLINE ELE DIMMING BALLAST (2) F24T5HO 120-277V	2 piece/unit	F24T5/HO
913710250302	MARK 10 POWERLINE ELE DIM BALLAST (1) 42W CFL (4-PIN) 277V	1 piece/unit	CFTR42W/ GX24Q

Mechanical and Housing

Order Code	Full Product Name	Housing
913700500531	MARK 10 POWERLINE ELE DIMMING BALLAST (1) F54T5/HO 120V	D
913700500541	MARK 10 POWERLINE ELE DIMMING BALLAST (2) F54T5/HO 120V	D
913700501461	MARK 10 POWERLINE ELE DIMMING BALLAST (1) F54T5/HO 277V	D
913700501471	MARK 10 POWERLINE ELE DIMMING BALLAST (2) F54T5/HO 277V	D
913700501481	MARK 10 POWERLINE ELE DIM BALLAST (1) 42W CFL (4-PIN) 120V	M2
913700501761	MARK 10 POWERLINE ELE DIM BALLAST (2) 26W CFL (4-PIN) 120V	M2
913700501951	MARK 10 POWERLINE ELE DIM BAL (2) 26W CFL (4-PIN) 120V KIT	M2

Order Code	Full Product Name	Housing
913710231402	MARK 10 POWERLINE ELE DIM BALLAST (2) 18W CFL (4-PIN) 120V	M2
913700501491	MARK 10 POWERLINE ELE DIM BALLAST (1) 42W CFL (4-PIN) 277V	M2
913700508271	MARK 10 POWERLINE ELE DIM BALLAST (2) 26W CFL (4-PIN) 277V	M2
913710250404	MARK 10 POWERLINE ELE DIM BAL (1) 42W CFL (4-PIN) 277V KIT	M2
913710251104	MARK 10 POWERLINE ELE DIM BAL (2) 26W CFL (4-PIN) 277V KIT	M2
913700501511	MARK 10 POWERLINE ELE DIM BALLAST (2) 42W CFL (4-PIN) 120V	M3
913700501621	MARK 10 POWERLINE ELE DIMMING BALLAST (2) F32T8 120V	SC
913700507891	MARK 10 POWERLINE ELE DIMMING BALLAST (3) F32T8 120V	SC
913700525301	MARK 10 POWERLINE ELE DIMMING BALLAST (1) F32T8 120V	SC

Mark 10 Powerline

Order Code	Full Product Name	Housing
913710230801	MARK 10 POWERLINE ELE DIMMING BALLAST (1) F32T8 120V	SC
913710231202	MARK 10 POWERLINE ELE DIM BALLAST (1) 40W CFL (4-PIN) 120V	SC
913710231601	MARK 10 POWERLINE ELE DIMMING BALLAST (2) F32T8 120V	SC
913710232101	MARK 10 POWERLINE ELE DIMMING BALLAST (3) F32T8 120V	SC
913710287702	MARK 10 POWERLINE ELE DIM BALLAST (2) 40W CFL (4-PIN) 120V	SC
913700507851	MARK 10 POWERLINE ELE DIM BALLAST (1) 42W CFL (4-PIN) 120V	M2
913700507871	MARK 10 POWERLINE ELE DIM BALLAST (2) 26W CFL (4-PIN) 120V	M2
913710800801	MARK 10 POWERLINE ELE DIM BAL (1) 42W CFL (4-PIN) 120V KIT	M2
913700507881	MARK 10 POWERLINE ELE DIM BALLAST (2) 42W CFL (4-PIN) 120V	M3
913700509131	MARK 10 POWERLINE ELE DIMMING BALLAST (2) F32T8 277V	SC

Order Code	Full Product Name	Housing
913700509221	MARK 10 POWERLINE ELE DIMMING BALLAST (3) F32T8 277V	SC
913700509331	MARK 10 POWERLINE ELE DIMMING BALLAST (1) F32T8 277V	SC
913710249901	MARK 10 POWERLINE ELE DIMMING BALLAST (1) F32T8 277V	SC
913710251201	MARK 10 POWERLINE ELE DIMMING BALLAST (2) F32T8 277V	SC
913710252001	MARK 10 POWERLINE ELE DIMMING BALLAST (3) F32T8 277V	SC
913710287802	MARK 10 POWERLINE ELE DIM BALLAST (2) 40W CFL (4-PIN) 277V	SC
913701253902	MARK 10 POWERLINE ELE DIMMING BALLAST (1) F28T5 120-277V	D
913701254002	MARK 10 POWERLINE ELE DIMMING BALLAST (2) F28T5 120-277V	D
913710288902	MARK 10 POWERLINE ELE DIMMING BALLAST (2) F24T5HO 120-277V	D
913710250302	MARK 10 POWERLINE ELE DIM BALLAST (1) 42W CFL (4-PIN) 277V	M2

