



The right fit for your high-output applications

Centium T8HO

Centium T8 High Output Solution for Cold Environments

Benefits

- For use in cold environments
- Maximizes lamp life
- Higher Light Output
- Used with multiple lamp

Features

- -30° F starting capability
- Programmed Start
- 1.0 Ballast Factor
- 1 or 2 Lamp Operation"

Application

- Industrial, Cold Storage, Manufacturing

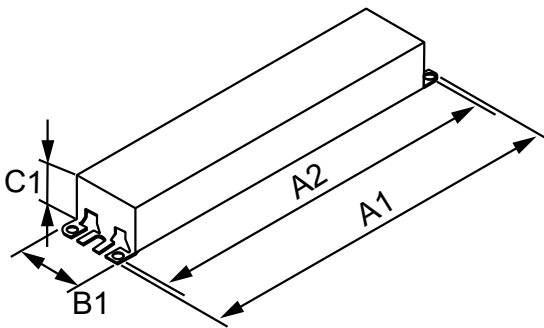
Centium T8HO

Versions



ICN2S86SC35I

Dimensional drawing



Product	A1	A2	B1	C1
CENTIUM ELE BALLAST (2) F96T8/HO 120-277V	9.5 in	8.9 in	1.7 in	1.18 in
CENTIUM ELE BALLAST (2) F96T8/HO 120-277V	9.5 in	8.9 in	1.7 in	1.18 in

