



New design means flexibility

Centium T5

Philips Advance Centium ballasts for T5 lamps at 120-277V are now available with our industry leading N-can at 9.5" x 1.3" x 1.0" or T-can at 14.17" x 1.18" x 1.06", which provides fixture manufacturers increased versatility in their newer generation fixture designs. These ballasts are compatible with all major energy-saving T5 linear lamps and have a variety of other features which makes them ideal for a variety of applications. The ballasts' programmed start ignition provides extended lamp life in frequent switching applications such as those where occupancy sensors are being used. They also feature lamp End-Of-Life (EOL) protection circuitry which safely removes power from the lamp at the end of lamp life.

优点

- Auto-restrike capability - Eliminates the need to reset power mains after failed lamps are replaced
- 0°F starting capability - Suitable for cold temperature applications

特点

- IntelliVolt Technology (120-277V)
- Lamp EOL Protection
- UL Type CC rated - Anti-arcing circuitry provides greater flexibility to meet end-user application requirements

应用

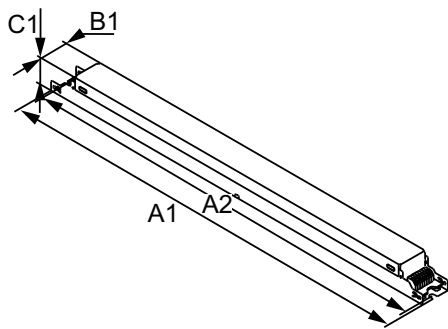
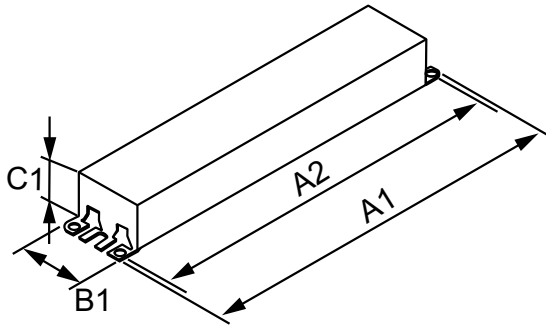
- Retail, commercial, institutional and industrial applications including; schools, offices, specialty & department stores, warehouses and manufacturing

Centium T5

Versions



二维绘图



Product	A1	A2	B1	C1
CENTIUM GCN2S28L35M	16.70 in	16.34 in	1.18 in	1.00 in
CENTIUM ICN2S28N35M	9.50 in	8.90 in	1.30 in	1.00 in

Product	A1	A2	B1	C1
CENTIUM ICN2S28T35M	14.17 in	13.78 in	1.18 in	1.06 in

运营和电气

输入频率	50 至 60 岁 Hz
美国总谐波变形	10 %

基本信息

灯具数量	1/2 件/单位
灯具类型	F28T5

运营和电气

Order Code	Full Product Name	输入电压
913701253102	CENTIUM ELE BALLAST (2) F28T5 120-277V	120-277 V
913701253602	CENTIUM ELE BALLAST (2) F28T5 347V	347 V

Order Code	Full Product Name	输入电压
913710891602	CENTIUM ELE BALLAST (2) F28T5 120-277V	120-277 V

Centium T5

机械和壳体

Order Code	Full Product Name	外壳	Order Code	Full Product Name	外壳
913701253102	CENTIUM ELE BALLAST (2) F28T5 120-277V	T	913710891602	CENTIUM ELE BALLAST (2) F28T5 120-277V	N
913701253602	CENTIUM ELE BALLAST (2) F28T5 347V	L			

