



Redefining the rules

Optanium T8 Programmed Start

Philips Advance Optanium high-efficiency electronic ballasts are engineered to optimize lighting performance and maximize energy savings. These ballasts provide an unparalleled package of features and benefits to support the wide variety of T8 fluorescent lamps out in the market place.

优点

- Promotes sustainability by consuming less input watts than standard efficiency electronic ballasts
- Enhances accuracy and ease of ordering while reducing
- Reduces the potential for lamp striation typically seen when using energy saving lamps

特点

- Helps reduce maintenance costs as more lamps remain on when lamps reach end-of-life minimizing wasteful re-lamping
- Reduces the likelihood of striation in energy-saving lamps, allowing for additional energy-saving opportunities
- Allows users to replace lamps without cycling power (standard and energy saving lamps)

应用

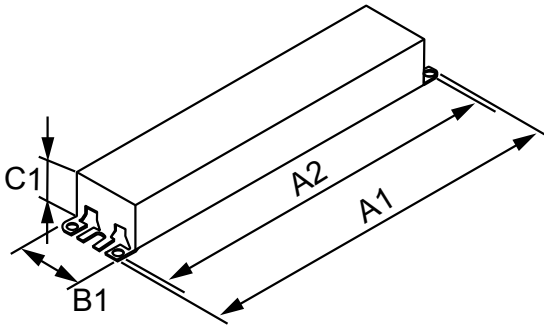
- Or general office lighting, institutional, government, health care, school applications, occupancy sensors or motion detectors replacement for incandescent down-lighting systems

Optanium T8 Programmed Start

Versions



二维绘图



Product	A1	A2	B1	C1
OPTANIUM IOP2PSP32N35M	9.50 in	8.90 in	1.30 in	1.00 in

