

PHILIPS

Lighting



Digital Cinema Xenon C-type lamps

Christie digital cinema projectors

Digital Xenon Cinema C-type lamps are ideal for today's demanding 3D and 2D digital cinema presentations. They are especially designed for Christie projectors. There is a choice of four power ratings in the C-type Digital Cinema Xenon lamps range: 2000W, 3000W, 4500W, or 6000W. There is also a choice of three power ratings in the CH-type Digital Helios lamps range: 2000W, 3000W, and 4200W power ratings. All these lamps produce the very high light output needed to maximize screen brightness and enhance the dramatic effect for the viewer. These long-life digital lamps also provide constant color temperature characteristics, and meet all of the stringent arc-stability requirements for consistent customer satisfaction. In addition to C-type Digital Cinema Xenon lamps there are B-, N-, S-, and TA-type Digital Cinema Xenon lamps. These are all individually customized per projector, so there is a different, perfect-fitting lamp for each projector model to ensure optimized projector performance.

Benefits

- Increased brightness on the screen
- Optimum projector performance
- Constant color temperature
- High arc stability and long life

Features

- Higher light output than standard lamps
- Customized by projector model
- Pure xenon fill gas
- Proprietary, advanced electrode design

Application

- Cinema projection

Christie digital cinema projectors

Versions



XDC 3000 C

XDC 2000 C

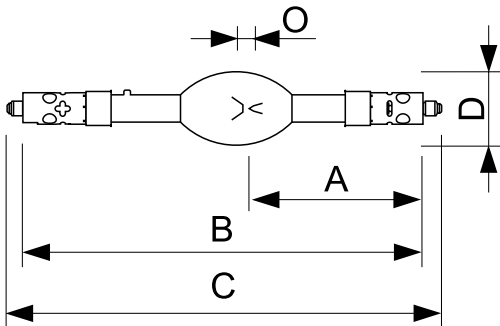
XDC 4500 C

XDC 6000 C

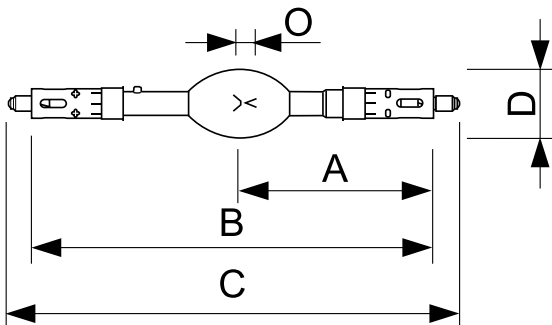


XDC 3001 C

Dimensional drawing



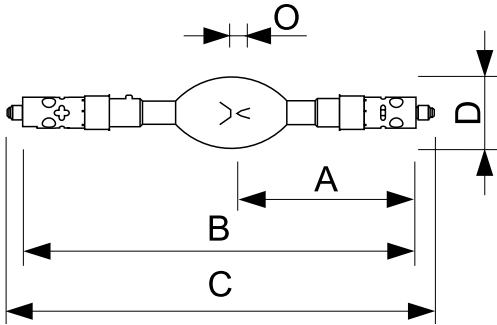
Product	O	D	B (max)	C (max)	A
XDC 4500CL	6.0 mm	80 mm	381 mm	413 mm	165 mm
XDC 4500 C	6.0 mm	70 mm	381 mm	417 mm	165.5 mm



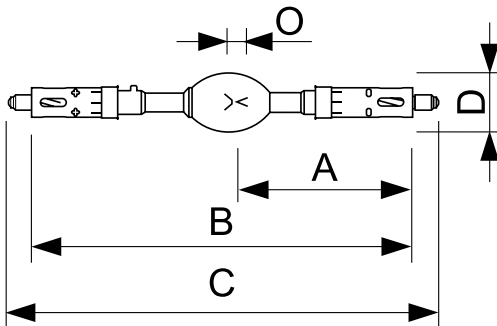
Product	O	D	B (max)	C (max)	A
XDC 3000CL	5.7 mm	60 mm	351 mm	397 mm	162 mm
XDC 3001 C	5.0 mm	60 mm	292 mm	333 mm	135 mm
XDC 3000 C	5.5 mm	60 mm	350 mm	403 mm	161.5 mm

Christie digital cinema projectors

Dimensional drawing



Product	O	D	B (max)	C (max)	A
XDC 6000 C	8.0 mm	70 mm	381 mm	417 mm	165.5 mm



Product	O	D	B (max)	C (max)	A
XDC 2000 C	4.4 mm	55 mm	350 mm	403 mm	161.5 mm

Operating and Electrical

Order Code	Full Product Name	Lamp Current Span	Lamp Current (Nom)	Voltage (Nom)	Power (Rated) (Nom)
928411706201	XDC 3000 C	90/120 A	110 A	29 V	3000 W
928419406301	XDC 3000CL	-	110 A	29 V	3000 W
928413306301	XDC 2000 C	50/90 A	80 A	25 V	2000 W
928415306201	XDC 4500 C	120/160 A	140 A	33 V	4500 W

Order Code	Full Product Name	Lamp Current Span	Lamp Current (Nom)	Voltage (Nom)	Power (Rated) (Nom)
928416706201	XDC 6000 C	110/160 A	155 A	40 V	6000 W
928418306301	XDC 3001 C	93/107 A	100 A	30 V	3001 W
928419506301	XDC 4500CL	-	-	-	-

General Information

Christie digital cinema projectors

Order Code	Full Product Name	Nominal Lifetime (Nom)	Main Application	Operating Position
928411706201	XDC 3000 C	1500 h	Cinema	P20
928419406301	XDC 3000CL	-	-	-
928413306301	XDC 2000 C	2400 h	Cinema	P30
928415306201	XDC 4500 C	1000 h	Cinema	P20

Order Code	Full Product Name	Nominal Lifetime (Nom)	Main Application	Operating Position
928416706201	XDC 6000 C	600 h	Cinema	P20
928418306301	XDC 3001 C	1000 h	Cinema	P15
928419506301	XDC 4500CL	-	-	-

Christie digital cinema projectors

