



# Simple, robust magnetic ballast

## HID-Basic ballasts for HPL and HPI(PLUS) lamps

The HID-Basic ballast is an impregnated (HID standard) electromagnetic ballast for HID lamps, for use in combination with an external ignitor.

### Benefits

- Limited volume of ballast coil; also lightweight
- Simple installation and cabling

### Features

- Orthocyclic winding process
- Ballasts equipped with screw terminal blocks as standard
- Earthing-while-mounting facility (HID Standard ballasts)
- Low wattage losses

### Application

- For built-in applications for road and public lighting with HPL, HPI and HPI (Plus) lamps
- HID-Basic ballasts should be restricted to built-in situations where relative humidity is limited.

# HID-Basic ballasts for HPL and HPI(PLUS) lamps

## Versions



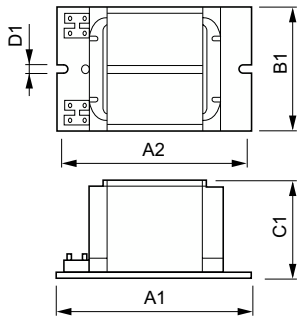
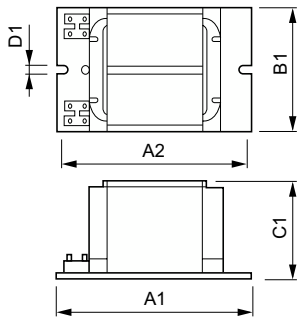
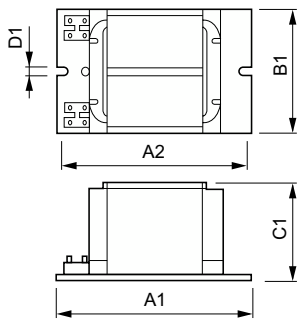
GPPR BCHPL



GPPR BCHPL1 0001



## Dimensional drawing



Product	D1	C1	A1	A2	B1
BHLA 125L 200	6.3 mm	64.5 mm	120.0 mm	100.0 mm	75.0 mm
BHLE 250L 200 TS	6.2 mm	64.5 mm	165.0 mm	144.0 mm	75.5 mm
BHLE 400L 200 TS	6.2 mm	64.5 mm	165.0 mm	144.0 mm	75.5 mm

Product	D1	C1	A1	A2	B1
BPI 250L 200 TS	6.2 mm	64.5 mm	125 mm	110 mm	72.5 mm
BPI 400L 200 TS	6.2 mm	64.5 mm	150 mm	135 mm	72.5 mm

Product	D1	C1	A1	A2	B1
BHL 250L 200	6.2 mm	64.5 mm	125.0 mm	110.0 mm	75.5 mm
BHL 250L 201	6.2 mm	64.5 mm	125.0 mm	110.0 mm	75.5 mm
BHL 250L 202	6.3 mm	64.5 mm	125.0 mm	104.0 mm	72.5 mm
BHL 400L 201	6.2 mm	64.5 mm	150.0 mm	135.0 mm	75.5 mm
BHL 400L 202	6.3 mm	64.5 mm	150.0 mm	134.0 mm	75.5 mm
BHLE 400L 202	6.2 mm	64.5 mm	165.0 mm	144.0 mm	75.5 mm

## HID-Basic ballasts for HPL and HPI(PLUS) lamps

### Operating and Electrical

Order Code	Full Product Name	Input Frequency	Input Voltage	Line Frequency	Order Code	Full Product Name	Input Frequency	Input Voltage	Line Frequency
913710100442	BHL 250L 200	50 Hz	220 V	50 Hz	913713017242	BHLE 250L 200 TS	50 Hz	220 V	50 Hz
913710101816	BHL 250L 201	60 Hz	220 V	60 Hz	913713017342	BHLE 400L 200 TS	50 Hz	220 V	50 Hz
913710101916	BHL 400L 201	60 Hz	220 V	60 Hz	913713018659	BHLA 125L 200	50 Hz	220 V	50 Hz
913710102550	BHL 250L 202	50 Hz	230 V	50 Hz	913713016642	BPI 250L 200 TS	50 Hz	220 V	50 Hz
913710102650	BHL 400L 202	50 Hz	230 V	50 Hz	913713016742	BPI 400L 200 TS	50 Hz	220 V	50 Hz
913713017650	BHLE 400L 202	50 Hz	230 V	50 Hz					

