



LuxSpace square, recessed – high efficiency, visual comfort and a stylish design

LuxSpace square, recessed

Customers are looking to optimize all their resources, and that means not just their running costs (energy, etc.) but also their human resources. Energy savings are therefore a priority, but they must not have an adverse effect on the well-being of employees, who need a pleasant environment in order to be more productive, or on customers, who want to enjoy their shopping experience. LuxSpace provides the perfect combination of efficiency, light comfort and design, without compromising on lighting performance (color rendering and color uniformity). It offers a wide choice of options for creating the desired ambience, no matter the application.

Benefits

- Best-in-class efficacy
- Creates a gentle, natural light, ensuring visual comfort
- Perfect integration with the ceiling thanks to the thin, narrow rim; rimless version ideal for integration into plaster ceilings

LuxSpace square, recessed

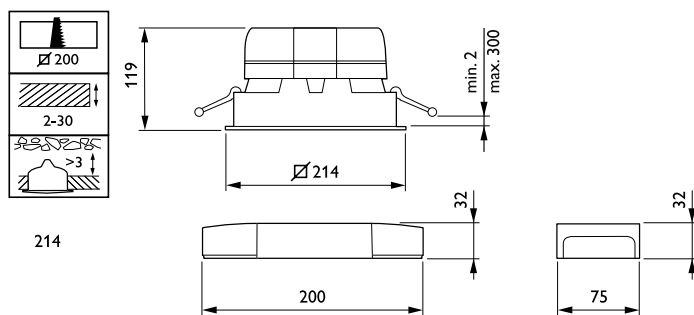
Features

- Choice of four optics: high-gloss, faceted, matt and white
- Rim colors: high-gloss metalized, white (RAL9010), grey, black (RAL9004) as standard (any other RAL color possible upon request)
- Rimless version available
- Compliant for central emergency lighting with DC
- Multiple additional options: emergency lighting (single battery 3 hours), through-wiring

Application

- Offices
- Retail
- Hospitals
- Hotels
- Airports

Dimensional drawing



LuxSpace square, recessed

General Information	
CE mark	Yes
Driver included	Yes
ENEC mark	ENEC mark
Flammability mark	For mounting on normally flammable surfaces
Glow-wire test	Temperature 850 °C, duration 5 s
Light source replaceable	No
Number of gear units	1 unit
Product family code	DN572B
Service tag	Yes
Light Technical	
Color rendering index (CRI)	>80
Optic type	-
Operating and Electrical	
Input Voltage	220 to 240 V
Line Frequency	50 to 60 Hz
Temperature	
Ambient temperature range	+10 to +25 °C
Mechanical and Housing	
Housing Color	White
Approval and Application	
Protection class IEC	Safety class II
Mech. impact protection code	IK02
Ingress protection code	IP20
Initial Performance (IEC Compliant)	
Luminous flux tolerance	+/-10%
Application Conditions	
Suitable for random switching	Yes

Light Technical

Order Code	Full Product Name	Correlated Color	Luminous Efficacy	Luminous Flux
		Temperature (Nom)	(rated) (Nom)	
910505100943	DN572B LED12S/830 PSU-E C WH	3000 K	131 lm/W	1,300 lm
910505100944	DN572B LED12S/840 PSU-E C WH	4000 K	141 lm/W	1,300 lm
910505100945	DN572B LED12S/830 DIA-VLC-E C WH	3000 K	131 lm/W	1,300 lm
910505100946	DN572B LED12S/840 DIA-VLC-E C WH	4000 K	141 lm/W	1,300 lm
910505100947	DN572B LED20S/830 PSU-E C WH	3000 K	134 lm/W	2,200 lm
910505100948	DN572B LED20S/840 PSU-E C WH	4000 K	149 lm/W	2,200 lm
910505100949	DN572B LED20S/830 DIA-VLC-E C WH	3000 K	134 lm/W	2,200 lm
910505100950	DN572B LED20S/840 DIA-VLC-E C WH	4000 K	149 lm/W	2,200 lm
910505100951	DN572B LED24S/830 PSU-E C WH	3000 K	130 lm/W	2,600 lm
910505100952	DN572B LED24S/840 PSU-E C WH	4000 K	141 lm/W	2,600 lm
910505100953	DN572B LED24S/830 DIA-VLC-E C WH	3000 K	130 lm/W	2,600 lm
910505100954	DN572B LED24S/840 DIA-VLC-E C WH	4000 K	141 lm/W	2,600 lm

Operating and Electrical

Order Code	Full Product Name	Power Consumption	Order Code	Full Product Name	Power Consumption
910505100943	DN572B LED12S/830 PSU-E C WH	9.9 W	910505100949	DN572B LED20S/830 DIA-VLC-E C WH	16.4 W
910505100944	DN572B LED12S/840 PSU-E C WH	9.2 W	910505100950	DN572B LED20S/840 DIA-VLC-E C WH	14.8 W
910505100945	DN572B LED12S/830 DIA-VLC-E C WH	9.9 W	910505100951	DN572B LED24S/830 PSU-E C WH	20 W
910505100946	DN572B LED12S/840 DIA-VLC-E C WH	9.2 W	910505100952	DN572B LED24S/840 PSU-E C WH	18.4 W
910505100947	DN572B LED20S/830 PSU-E C WH	16.4 W	910505100953	DN572B LED24S/830 DIA-VLC-E C WH	20 W
910505100948	DN572B LED20S/840 PSU-E C WH	14.8 W	910505100954	DN572B LED24S/840 DIA-VLC-E C WH	18.4 W

Controls and Dimming

LuxSpace square, recessed

Order Code	Full Product Name	Dimmable
910505100943	DN572B LED12S/830 PSU-E C WH	No
910505100944	DN572B LED12S/840 PSU-E C WH	No
910505100945	DN572B LED12S/830 DIA-VLC-E C WH	Yes
910505100946	DN572B LED12S/840 DIA-VLC-E C WH	Yes
910505100947	DN572B LED20S/830 PSU-E C WH	No
910505100948	DN572B LED20S/840 PSU-E C WH	No

Order Code	Full Product Name	Dimmable
910505100949	DN572B LED20S/830 DIA-VLC-E C WH	Yes
910505100950	DN572B LED20S/840 DIA-VLC-E C WH	Yes
910505100951	DN572B LED24S/830 PSU-E C WH	No
910505100952	DN572B LED24S/840 PSU-E C WH	No
910505100953	DN572B LED24S/830 DIA-VLC-E C WH	Yes
910505100954	DN572B LED24S/840 DIA-VLC-E C WH	Yes

Initial Performance (IEC Compliant)

Order Code	Full Product Name	Initial chromaticity
910505100943	DN572B LED12S/830 PSU-E C WH	(0.43, 0.40) SDCM <2
910505100944	DN572B LED12S/840 PSU-E C WH	(0.38, 0.38) SDCM <2
910505100945	DN572B LED12S/830 DIA-VLC-E C WH	(0.43, 0.40) SDCM <2
910505100946	DN572B LED12S/840 DIA-VLC-E C WH	(0.38, 0.38) SDCM <2
910505100947	DN572B LED20S/830 PSU-E C WH	(0.43, 0.40) SDCM <2
910505100948	DN572B LED20S/840 PSU-E C WH	(0.38, 0.38) SDCM <2

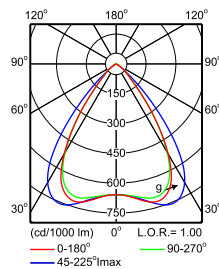
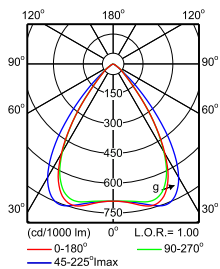
Order Code	Full Product Name	Initial chromaticity
910505100949	DN572B LED20S/830 DIA-VLC-E C WH	(0.43, 0.40) SDCM <2
910505100950	DN572B LED20S/840 DIA-VLC-E C WH	(0.38, 0.38) SDCM <2
910505100951	DN572B LED24S/830 PSU-E C WH	(0.43, 0.40) SDCM <2
910505100952	DN572B LED24S/840 PSU-E C WH	(0.38, 0.38) SDCM <2
910505100953	DN572B LED24S/830 DIA-VLC-E C WH	(0.43, 0.40) SDCM <2
910505100954	DN572B LED24S/840 DIA-VLC-E C WH	(0.38, 0.38) SDCM <2

Application Conditions

Order Code	Full Product Name	Maximum dim level
910505100943	DN572B LED12S/830 PSU-E C WH	-
910505100944	DN572B LED12S/840 PSU-E C WH	-
910505100945	DN572B LED12S/830 DIA-VLC-E C WH	1%
910505100946	DN572B LED12S/840 DIA-VLC-E C WH	1%
910505100947	DN572B LED20S/830 PSU-E C WH	-
910505100948	DN572B LED20S/840 PSU-E C WH	-

Order Code	Full Product Name	Maximum dim level
910505100949	DN572B LED20S/830 DIA-VLC-E C WH	1%
910505100950	DN572B LED20S/840 DIA-VLC-E C WH	1%
910505100951	DN572B LED24S/830 PSU-E C WH	-
910505100952	DN572B LED24S/840 PSU-E C WH	-
910505100953	DN572B LED24S/830 DIA-VLC-E C WH	1%
910505100954	DN572B LED24S/840 DIA-VLC-E C WH	1%

Polar Wide Diagrams



IFPS_DN572B PSE-E 1xLED12S/830 C-Polar
Normal (separate)

IFPS_DN572B PSE-E 1xLED24S/830 C-Polar
Normal (separate)

LuxSpace square, recessed

