



# EFix TCS260

## TCS260 1x35W/840 HFD-T D6 ACL WH

EFix surface mounted, 1, 35 W, 840 neutral white, HF DALI touch-switch dimming, Semi-high-gloss optic double parabolic, ActiLume, White

The EFix TL5 luminaire range is a dedicated, affordable choice of innovative lighting that enables massive energy savings to be made when old electromagnetic installations are replaced by the latest Philips technology. The range's optical performance complies with the latest EN-12464 norms, ensuring improved lighting quality in every application. Used in combination with high-frequency gear, Philips MASTER TL5 lamps enable substantial energy savings to be made. These savings can be further increased by using a Luxsense daylight controller integrated into the luminaire. The practical design of EFix combines both surface-mounted (TCS260) and suspended (TPS262) luminaires in one design. Thanks to the luminaire's easily removable top cover, the beam can be adjusted to provide direct or direct/indirect lighting. EFix is supplied with lamps and is ready to install, minimizing installation time. EFix recessed TBS260 completes Philips' range of luminaires for general lighting applications in offices and shops.

### Product data

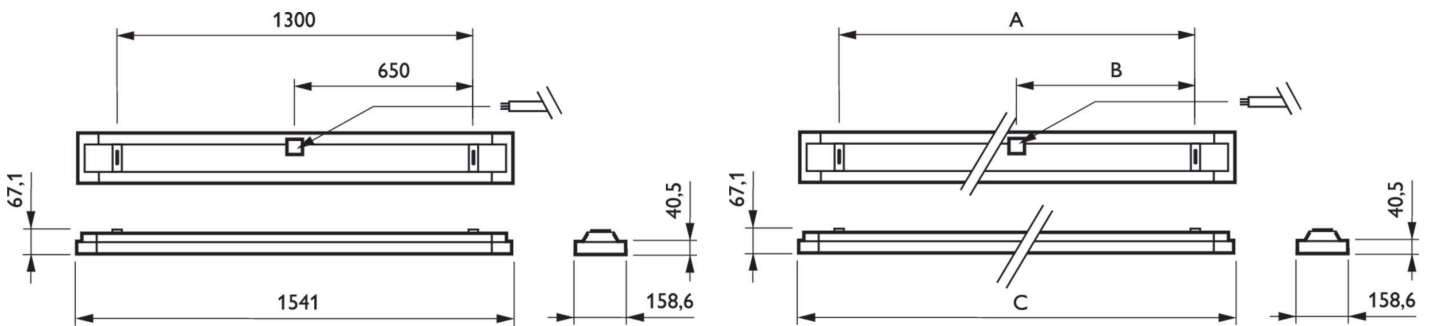
General Information		Light Technical	
Lamp family code	TL5 [TL5]	Number of light sources	1
Gear	HFD-T [HF DALI touch-switch dimming]	Light source color	840 neutral white
Product family code	TCS260 [EFix surface mounted]	Optic type	Semi-high-gloss optic double parabolic
Value ladder	Performance	Optical cover type	-
Embedded control	ActiLume	Operating and Electrical	
CE mark	Yes	Input Voltage	220 to 240 V
Flammability mark	For mounting on normally flammable surfaces		

## EFix TCS260

Power Consumption	35 W
<b>Mechanical and Housing</b>	
Fixation point length distance (Nom)	1,300 mm
Housing Color	White
Overall length	1,541 mm
<b>Approval and Application</b>	
Ingress protection code	IP20 [Finger-protected]
Protection class IEC	Safety class I
<b>Application Conditions</b>	
Suitable for random switching	Not applicable

<b>Product Data</b>	
Order product name	TCS260 1x35W/840 HFD-T D6 ACL WH
Full product name	TCS260 1x35W/840 HFD-T D6 ACL WH
Full product code	872790061955300
Order code	910402287012
Material Nr. (12NC)	910402287012
Numerator - Quantity Per Pack	1
EAN/UPC - Product/Case	8727900619553
Numerator - Packs per outer box	1
EAN/UPC - Case	8727900619553

### Dimensional drawing



Product	A	B	C
TCS260 1x35W/840 HFD-T D6 ACL WH	1,300 mm	650 mm	1,541 mm

