



EFix TCS260

TCS260 2x35W/830 HFD-T D6 ACL PVCFR WH

EFix surface mounted, 2, 35 W, 830 warm white, HF DALI touch-switch dimming, Semi-high-gloss optic double parabolic, ActiLume, White

The EFix TL5 luminaire range is a dedicated, affordable choice of innovative lighting that enables massive energy savings to be made when old electromagnetic installations are replaced by the latest Philips technology. The range's optical performance complies with the latest EN-12464 norms, ensuring improved lighting quality in every application. Used in combination with high-frequency gear, Philips MASTER TL5 lamps enable substantial energy savings to be made. These savings can be further increased by using a Luxsense daylight controller integrated into the luminaire. The practical design of EFix combines both surface-mounted (TCS260) and suspended (TPS262) luminaires in one design. Thanks to the luminaire's easily removable top cover, the beam can be adjusted to provide direct or direct/indirect lighting. EFix is supplied with lamps and is ready to install, minimizing installation time. EFix recessed TBS260 completes Philips' range of luminaires for general lighting applications in offices and shops.

Product data

General Information	
Lamp family code	TL5 [TL5]
Gear	HFD-T [HF DALI touch-switch dimming]
Product family code	TCS260 [EFix surface mounted]
Value ladder	Performance
Embedded control	ActiLume
CE mark	Yes
Flammability mark	For mounting on normally flammable surfaces

Light Technical	
Number of light sources	2
Light source color	830 warm white
Optic type	Semi-high-gloss optic double parabolic
Optical cover type	-

Operating and Electrical	
Input Voltage	220 to 240 V

EFix TCS260

Power Consumption	35 W
-------------------	------

Mechanical and Housing

Fixation point length distance (Nom)	1,300 mm
Housing Color	White
Overall length	1,541 mm

Approval and Application

Ingress protection code	IP20 [Finger-protected]
Protection class IEC	Safety class I

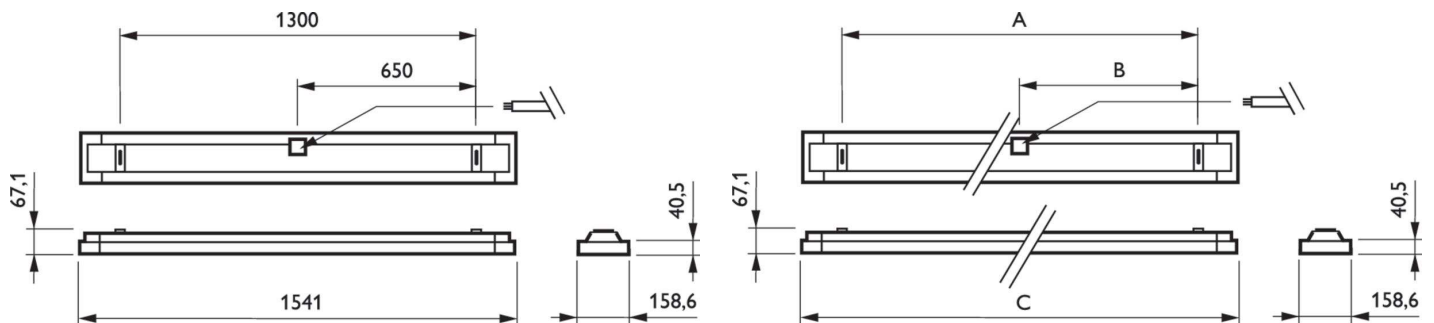
Application Conditions

Suitable for random switching	Not applicable
-------------------------------	----------------

Product Data

Order product name	TCS260 2x35W/830 HFD-T D6 ACL PVCFR WH
Full product name	TCS260 2x35W/830 HFD-T D6 ACL PVCFR WH
Full product code	872790062189100
Order code	910402299012
Material Nr. (12NC)	910402299012
Numerator - Quantity Per Pack	1
EAN/UPC - Product/Case	8727900621891
Numerator - Packs per outer box	1
EAN/UPC - Case	8727900621891

Dimensional drawing



Product	A	B	C
TCS260 2x35W/830 HFD-T D6 ACL PVCFR WH	1,300 mm	650 mm	1,541 mm

