



EFix TPS262

TPS262 2x28W/830 HFS C6 SMT WH

EFix suspended mounted, 2, 28 W, 830 warm white, HF Standard, High-gloss optic double parabolic closed, White

The EFix TL5 luminaire range is a dedicated, affordable choice of innovative lighting that enables massive energy savings to be made when old electromagnetic installations are replaced by the latest Philips technology. The range's optical performance complies with the latest EN-12464 norms, ensuring improved lighting quality in every application. Used in combination with high-frequency gear, Philips MASTER TL5 lamps enable substantial energy savings to be made. These savings can be further increased by using a Luxsense daylight controller integrated into the luminaire. The practical design of EFix combines both surface-mounted (TCS260) and suspended (TPS262) luminaires in one design. Thanks to the luminaire's easily removable top cover, the beam can be adjusted to provide direct or direct/indirect lighting. EFix is supplied with lamps and is ready to install, minimizing installation time. EFix recessed TBS260 completes Philips' range of luminaires for general lighting applications in offices and shops.

Product data

General Information	
Lamp family code	TL5 [TL5]
Gear	HFS [HF Standard]
Service tag	Yes
Product family code	TPS262 [EFix suspended mounted]
Embedded control	-
CE mark	Yes
Flammability mark	For mounting on normally flammable surfaces
ENEC mark	ENEC mark

Glow-wire test	Temperature 850 °C, duration 5 s
----------------	----------------------------------

Light Technical	
Number of light sources	2
Light source color	830 warm white
Optic type	High-gloss optic double parabolic closed
Optical cover type	-

Operating and Electrical	
Input Voltage	220 to 240 V

EFix TPS262

Power Consumption	28 W
Cable	-

Mechanical and Housing

Housing Color	White
Overall length	1,241 mm

Approval and Application

Ingress protection code	IP20 [Finger-protected]
Protection class IEC	Safety class I

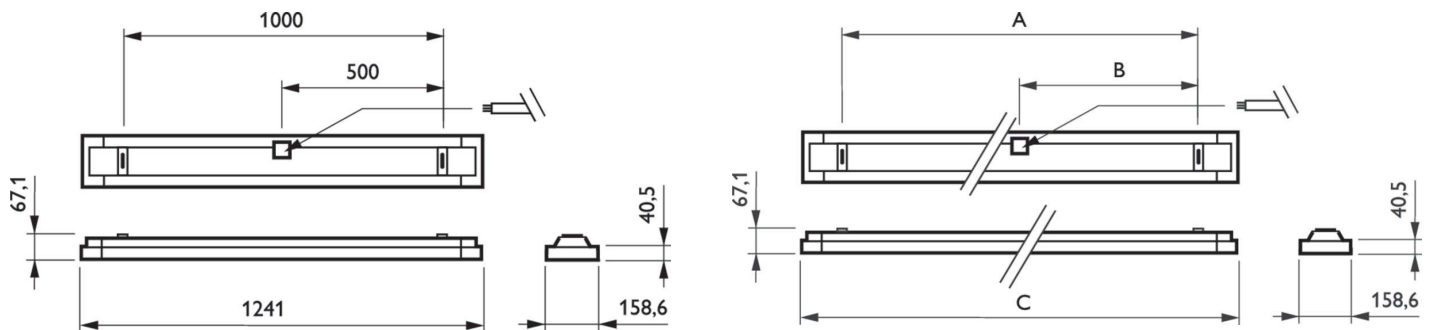
Application Conditions

Suitable for random switching	Not applicable
-------------------------------	----------------

Product Data

Order product name	TPS262 2x28W/830 HFS C6 SMT WH
Full product name	TPS262 2x28W/830 HFS C6 SMT WH
Full product code	872790061342100
Order code	910402465012
Material Nr. (12NC)	910402465012
Numerator - Quantity Per Pack	1
EAN/UPC - Product/Case	8727900613421
Numerator - Packs per outer box	1
EAN/UPC - Case	8727900613421

Dimensional drawing



Product	B	C
TPS262 2x28W/830 HFS C6 SMT WH	500 mm	1,241 mm

