



LuxSpace Accent Mini

RS731B LED12S/840 PSE-E WB WH

LuxSpace Accent Mini G3, LED module, system flux 1200 lm, 840 neutral white, Power supply unit DC compatible, external, Wide beam, White

Retailers are increasingly having to contend with rising energy prices. At the same time, they need to retain the quality of light they are used to, flexibility in architectural integration, and the right light effects to catch the customer's eye. Last but not least, they need future-proof solutions that will enable them to implement differentiating concepts in their store. Delivering high-quality light, punch in the beam and outstanding luminous efficacy, LuxSpace Accent is the ideal energy-efficient solution for today's demanding retail environments, covering a wide variety of lighting applications

Product data

General Information		Lighting Technology	
Lamp family code	LED12S [LED module, system flux 1200 lm]	Lighting Technology	LED
Light source replaceable	No	Value ladder	Specification
Number of gear units	1 unit	CE mark	Yes
Driver included	Yes	Warranty period	5 years
Remarks	*-Per Lighting Europe guidance paper "Evaluating performance of LED based luminaires - January 2018": statistically there is no relevant difference in lumen maintenance between B50 and for example B10. Therefore, the median useful life (B50) value also represents the B10 value.	Flammability mark	For mounting on normally flammable surfaces
Service tag	Yes	ENEC mark	ENEC mark
Product family code	RS731B [LuxSpace Accent Mini G3]	Glow-wire test	Temperature 650 °C, duration 5 s
		EU RoHS compliant	Yes
		Light Technical	
		Luminous Flux	1,250 lm
		Correlated Color Temperature (Nom)	4000 K
		Luminous Efficacy (rated) (Nom)	119 lm/W

LuxSpace Accent Mini

Color rendering index (CRI)	≥80
Number of light sources	1
Beam angle of light source	120 degree(s)
Light source color	840 neutral white
Optic type	Wide beam
Optical cover type	-
Luminaire light beam spread	36°
Unified glare rating CEN	Not applicable

Operating and Electrical

Input Voltage	220 to 240 V
Line Frequency	50 to 60 Hz
Initial CLO power consumption	- W
Average CLO power consumption	- W
Inrush current	14.5 A
Inrush time	0.22 ms
Power Consumption	12 W
Power Factor (Fraction)	0.9
Connection	Push-in connector and pull relief
Cable	-
Number of products on MCB of 16 A type B	30

Temperature

Ambient temperature range	+10 to +40 °C
---------------------------	---------------

Controls and Dimming

Dimmable	No
Driver/power unit/transformer	Power supply unit DC compatible, external
Control interface	-
Constant light output	No

Mechanical and Housing

Housing Material	Aluminum
Reflector material	Polycarbonate aluminum coated
Optic material	Polycarbonate
Optical cover material	Polycarbonate
Fixation material	-

Housing Color	White
Optical cover finish	Clear
Overall height	86 mm
Overall diameter	105 mm

Approval and Application

Ingress protection code	IP20 [Finger-protected]
Mech. impact protection code	IK02 [0.2 J standard]
Sustainability rating	-
Protection class IEC	Safety class II

Initial Performance (IEC Compliant)

Luminous flux tolerance	+/-10%
Initial chromaticity	(0.38, 0.38) SDCM <3
Power consumption tolerance	+/-10%

Over Time Performance (IEC Compliant)

Control gear failure rate at median useful life 50000 h	5 %
Lumen maintenance at median useful life* 50000 h	L80

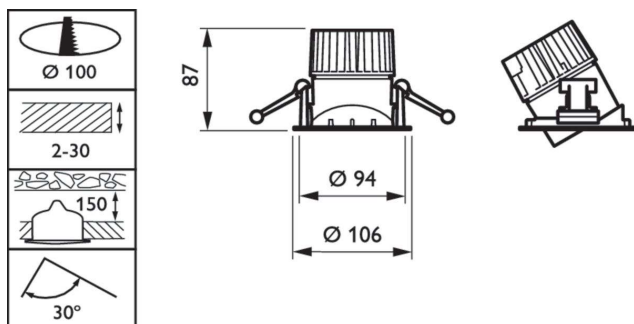
Application Conditions

Performance ambient temperature Tq	25 °C
Suitable for random switching	Yes

Product Data

Order product name	RS731B LED12S/840 PSE-E WB WH
Full product name	RS731B LED12S/840 PSE-E WB WH
Full product code	871869684769500
Order code	910500457293
Material Nr. (12NC)	910500457293
Numerator - Quantity Per Pack	1
EAN/UPC - Product/Case	8718696847695
Numerator - Packs per outer box	1
EAN/UPC - Case	8718696847695

Dimensional drawing



LuxSpace Accent Mini

