



StoreFlux gen3 rimless

GD611B LED17S/830 PSU-E MB WH-WH

StoreFlux3, LED module, system flux 1700 lm, 830 warm white, Power supply unit external (On/Off), Medium beam, White and white

The StoreFlux gridlight can be equipped with up to three LED modules with a special reflector system to deliver top-quality light that makes your shop and merchandise look great. The combination of multiple LED sources with high lumen packages in one luminaire creates sparkling light effects. StoreFlux offers low maintenance compared with CDM and high efficiency compared to halogen.

Product data

General Information		Value ladder	
Lamp family code	LED17S [LED module, system flux 1700 lm]	Value ladder	Specification
Light source replaceable	No	CE mark	Yes
Number of gear units	1 unit	Warranty period	5 years
Driver included	Yes	Flammability mark	For mounting on normally flammable surfaces
Remarks	*-Per Lighting Europe guidance paper "Evaluating performance of LED based luminaires - January 2018": statistically there is no relevant difference in lumen maintenance between B50 and for example B10. Therefore, the median useful life (B50) value also represents the B10 value.	ENEC mark	ENEC mark
Service tag	Yes	Glow-wire test	Temperature 650 °C, duration 5 s
Product family code	GD611B [StoreFlux3]	EU RoHS compliant	Yes
Lighting Technology	LED	Light Technical	
		Luminous Flux	1,700 lm
		Correlated Color Temperature (Nom)	3000 K
		Luminous Efficacy (rated) (Nom)	118.05555555555556 lm/W
		Color rendering index (CRI)	≥80
		Number of light sources	1

StoreFlux gen3 rimless

Beam angle of light source	120 degree(s)
Light source color	830 warm white
Optic type	Medium beam
Optical cover type	Acrylic toothed
Luminaire light beam spread	22°
Unified glare rating CEN	Not applicable

Operating and Electrical

Input Voltage	220 to 240 V
Line Frequency	50 to 60 Hz
Inrush current	6.1 A
Inrush time	0.31 ms
Power Consumption	14.4 W
Power Factor (Fraction)	0.9
Connection	Push-in connector and pull relief
Cable	-
Number of products on MCB of 16 A type B	34

Temperature

Ambient temperature range	+10 to +40 °C
---------------------------	---------------

Controls and Dimming

Dimmable	No
Driver/power unit/transformer	Power supply unit external (On/Off)
Control interface	-
Constant light output	No

Mechanical and Housing

Housing Material	Steel
Reflector material	Polycarbonate
Optic material	Polycarbonate
Optical cover material	Polycarbonate
Fixation material	Steel
Housing Color	White and white
Optical cover finish	Clear
Overall length	147 mm

Overall width	147 mm
Overall height	165 mm
Dimensions (Height x Width x Depth)	165 x 147 x 147 mm

Approval and Application

Ingress protection code	IP20 [Finger-protected]
Mech. impact protection code	IK02 [0.2 J standard]
Protection class IEC	Safety class II

Initial Performance (IEC Compliant)

Luminous flux tolerance	+/-10%
Initial chromaticity	(0.43, 0.40) SDCM <3
Power consumption tolerance	+/-10%

Over Time Performance (IEC Compliant)

Control gear failure rate at median useful life 50000 h	5 %
Lumen maintenance at median useful life* 50000 h	L80

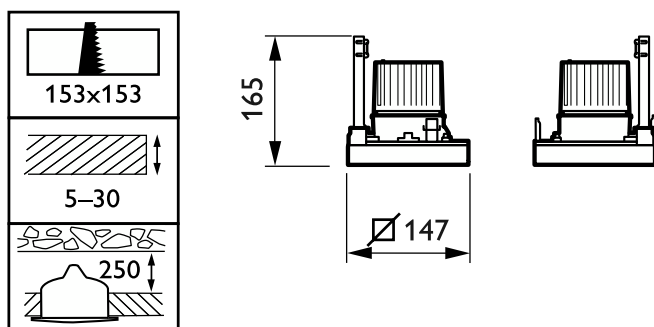
Application Conditions

Performance ambient temperature Tq	25 °C
Maximum dim level	Not applicable
Suitable for random switching	No

Product Data

Order product name	GD611B LED17S/830 PSU-E MB WH-WH
Full product name	GD611B LED17S/830 PSU-E MB WH-WH
Full product code	871869691064100
Order code	910500458448
Material Nr. (12NC)	910500458448
Numerator - Quantity Per Pack	1
EAN/UPC - Product/Case	8718696910641
Numerator - Packs per outer box	1
EAN/UPC - Case	8718696910641

Dimensional drawing



StoreFlux gen3 rimless

