



# Arano TCS640

## TCS640 2x54W/840 HFP AC-MLO ALU

ARANO, 2, 54 W, 840 neutral white, HF Performer, Acrylate micro-lens optic, Aluminum

Arano is a range of luminaires for TL5 fluorescent lamps and LED light sources, featuring Philips' micro-optics. The patented micro-optic with 3-D lamellae combines a miniaturist design with optimum performance in terms of light distribution, visual comfort and efficiency. And it is fully compliant with the current norm for indoor working places (EN12464-1). Surface-mounted, suspended, free-standing and wall-mounted versions are available – some with direct/indirect lighting – to create a bright, welcoming ambience. Multiple Arano luminaires can be linked to create line arrangements.

### Product data

General Information		Optical cover type	
Lamp family code	TL5 [TL5]	Acrylate micro-lens optic	
Gear	HFP [HF Performer]	Operating and Electrical	
Product family code	TCS640 [ARANO]	Power Consumption	54 W
Embedded control	-	Cable	-
CE mark	Yes	Mechanical and Housing	
Flammability mark	For mounting on normally flammable surfaces	Fixation point length distance (Nom)	1,000 mm
ENEC mark	ENEC mark	Housing Color	Aluminum
Glow-wire test	Temperature 650 °C, duration 5 s	Approval and Application	
Light Technical		Ingress protection code	IP40 [Wire-protected]
Number of light sources	2	Protection class IEC	Safety class I
Light source color	840 neutral white		
Optic type	-		

# Arano TCS640

## Application Conditions

Suitable for random switching Not applicable

## Product Data

Order product name	TCS640 2x54W/840 HFP AC-MLO ALU
Full product name	TCS640 2x54W/840 HFP AC-MLO ALU
Full product code	871155975517500
Order code	910501314103

Material Nr. (12NC)	910501314103
---------------------	--------------

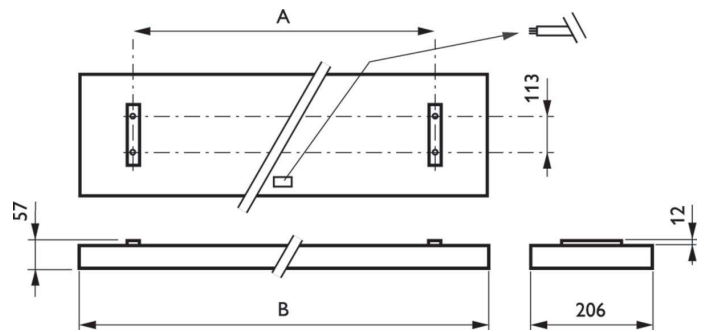
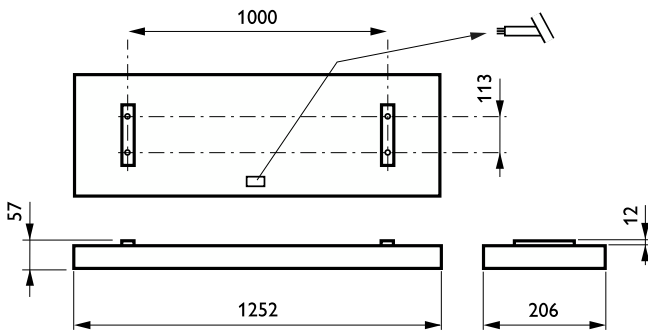
Numerator - Quantity Per Pack	1
-------------------------------	---

EAN/UPC - Product/Case	8711559755175
------------------------	---------------

Numerator - Packs per outer box	1
---------------------------------	---

EAN/UPC - Case	8711559755175
----------------	---------------

## Dimensional drawing



## Product

TCS640 2x54W/840 HFP AC-MLO ALU

