



Iridium SGS252/452

SGS452 SON-T70W K II OR FG GR SND

IRIDIUM, SON-T, 70 W, Open CT-POT, Flat glass

Modular road-lighting luminaire offering a wide choice of optical, electrical and mechanical combinations to make driving safer and more comfortable. Ensures low cost of ownership thanks to its superior optics and low maintenance and installation costs

Product data

General Information	
Lamp family code	SON-T [SON-T]
Gear	CONV [Conventional]
Product family code	SGS452 [IRIDIUM]
CE mark	Yes
ENEC mark	ENEC mark

Light Technical	
Standard tilt angle posttop	5°
Standard tilt angle side entry	5°
Number of light sources	1
Optical cover type	Flat glass
Optic type outdoor	Open CT-POT

Operating and Electrical	
Input Voltage	230 V
Power Consumption	70 W
Cable	-

Mechanical and Housing	
Housing Color	Grey
Mounting device	Spigot for diameter 60 to 76 mm
Overall height	187 mm
Parts color	-

Approval and Application	
Ingress protection code	IP66 [Dust penetration-protected, jet-proof]
Mech. impact protection code	IK08 [5 J vandal-protected]
Protection class IEC	Safety class II

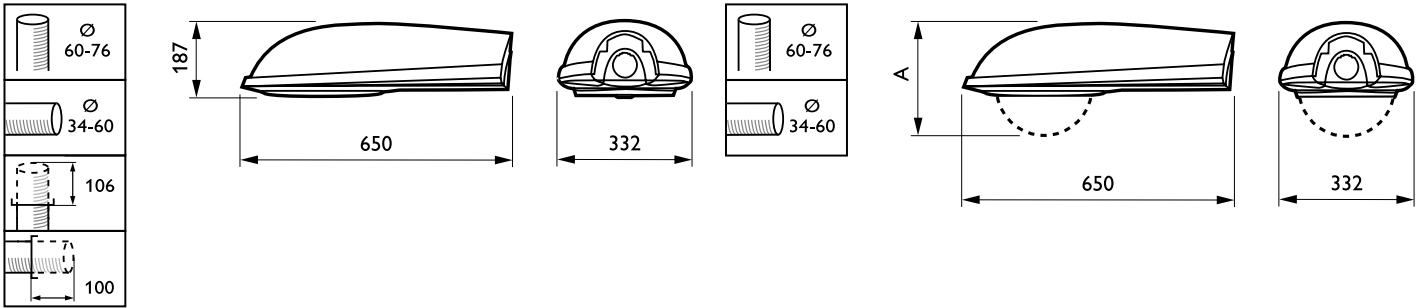
Product Data	
Order product name	SGS452 SON-T70W K II OR FG GR SND
Full product name	SGS452 SON-T70W K II OR FG GR SND
Full product code	871155984324700
Order code	84324700
Material Nr. (12NC)	910502126818
Numerator - Quantity Per Pack	1
EAN/UPC - Product/Case	8711559843247
Numerator - Packs per outer box	1

Iridium SGS252/452

EAN/UPC - Case

8711559843247

Dimensional drawing



Product

A

SGS452 SON-T70W K II OR FG GR SND

187 mm

