



Iridium SGS253/453

SGS253 CDO-TT150W K II CR FG GR SND

IRIDIUM, MASTER CityWhite CDO-TT, 150 W, Closed CT-POT, Flat glass

Iridium is a family of road-lighting luminaires designed for three main applications – residential areas and minor roads, major roads and motorways. Its modularity allows the integration of optical or electronic components in order to adapt to the changing demands of road lighting, e.g. the growing demand for white light and controls. Iridium ensures low cost of ownership thanks to its superior optics, dimming and Telemangement capability, and ease of installation and maintenance. The Iridium luminaire family includes MASTERColour CDM Elite MW, CosmoPolis and LED-enabled versions. It comes in four different sizes – for mounting heights from 3.5 to 12 meters – and is suitable for side-entry and post-top mounting. A full range of brackets ensures visual consistency between the column and the gently rounded luminaire, making Iridium a total solution. Each Iridium luminaire is fully recyclable; only the light source and driver have to be recycled separately.

Product data

General Information		Standard tilt angle side entry		5°	
Lamp family code	CDO-TT [MASTER CityWhite CDO-TT]	Number of light sources	1		
Gear	CONV [Conventional]	Optical cover type	Flat glass		
Photocell	-	Optic type outdoor	Closed CT-POT		
Product family code	SGS253 [IRIDIUM]	Operating and Electrical			
Embedded control	-	Input Voltage	230 V		
CE mark	Yes	Power Consumption	150 W		
ENEC mark	ENEC mark	Mechanical and Housing			
Light Technical		Housing Color	Grey		
Standard tilt angle posttop	5°				

Iridium SGS253/453

Overall height	224 mm
Parts color	-

Approval and Application

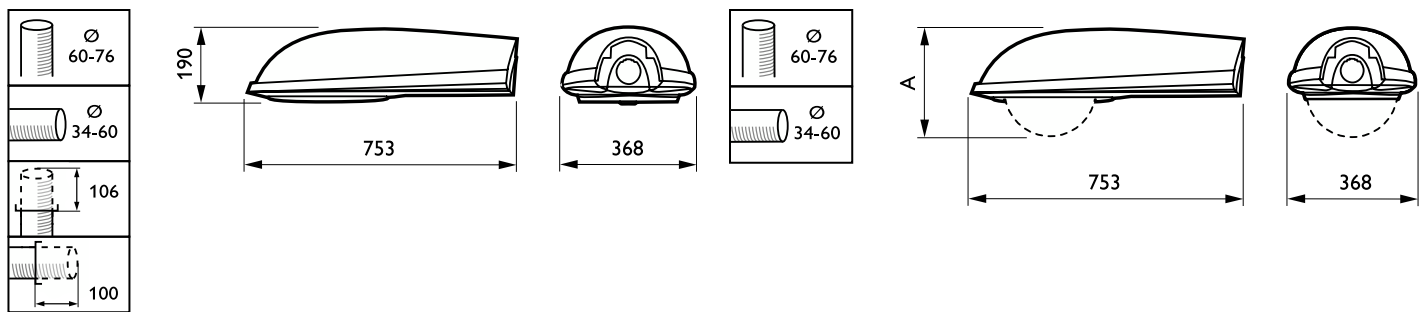
Ingress protection code	IP66 [Dust penetration-protected, jet-proof]
Mech. impact protection code	IK08 [5 J vandal-protected]
Protection class IEC	Safety class II

Product Data

Order product name	SGS253 CDO-TT150W K II CR FG GR SND
--------------------	-------------------------------------

Full product name	SGS253 CDO-TT150W K II CR FG GR SND
Full product code	871155984480000
Order code	910502136218
Material Nr. (12NC)	910502136218
Numerator - Quantity Per Pack	1
EAN/UPC - Product/Case	8711559844800
Numerator - Packs per outer box	1
EAN/UPC - Case	8711559844800

Dimensional drawing



Product	A
SGS253 CDO-TT150W K II CR FG GR SND	190 mm

