



Modena

SGP681 E40 II CR FG AL GR

MODENA P, E40, Safety class II, Closed CT-POT, Flat glass, Grey

Modena is a road-lighting luminaire that combines elegance and excellent lighting performance. Its fluid, rounded form gives it a strong and distinctive visual character. Modena offers a wide choice of optical, electrical and mechanical options to satisfy all road applications. It allows considerable energy savings (dimming with standard dimming devices or stand-alone Lumistep and Chronosense systems; electronic ballast or Telemangement system) and is easy to install and maintain. The Modena family accommodates CosmoPolis white-light technology and LED-enabled versions and comes in three sizes – for mounting heights from 3.5 to 12 meters. Each Modena luminaire is fully recyclable; only the light source and driver have to be recycled separately.

Product data

General Information	
Cap-Base	E40 [E40]
Gear	E [Empty, without gear]
Product family code	SGP681 [MODENA P]
CE mark	Yes
ENEC mark	ENEC mark

Light Technical	
Standard tilt angle posttop	5°
Standard tilt angle side entry	0°
Number of light sources	1
Optical cover type	Flat glass
Optic type outdoor	Closed CT-POT

Operating and Electrical	
Input Voltage	220 to 240 V

Mechanical and Housing	
Housing Color	Grey
Overall height	221 mm
Parts color	All parts colored

Approval and Application	
Ingress protection code	IP66 [Dust penetration-protected, jet-proof]
Mech. impact protection code	IK08 [5 J vandal-protected]
Protection class IEC	Safety class II

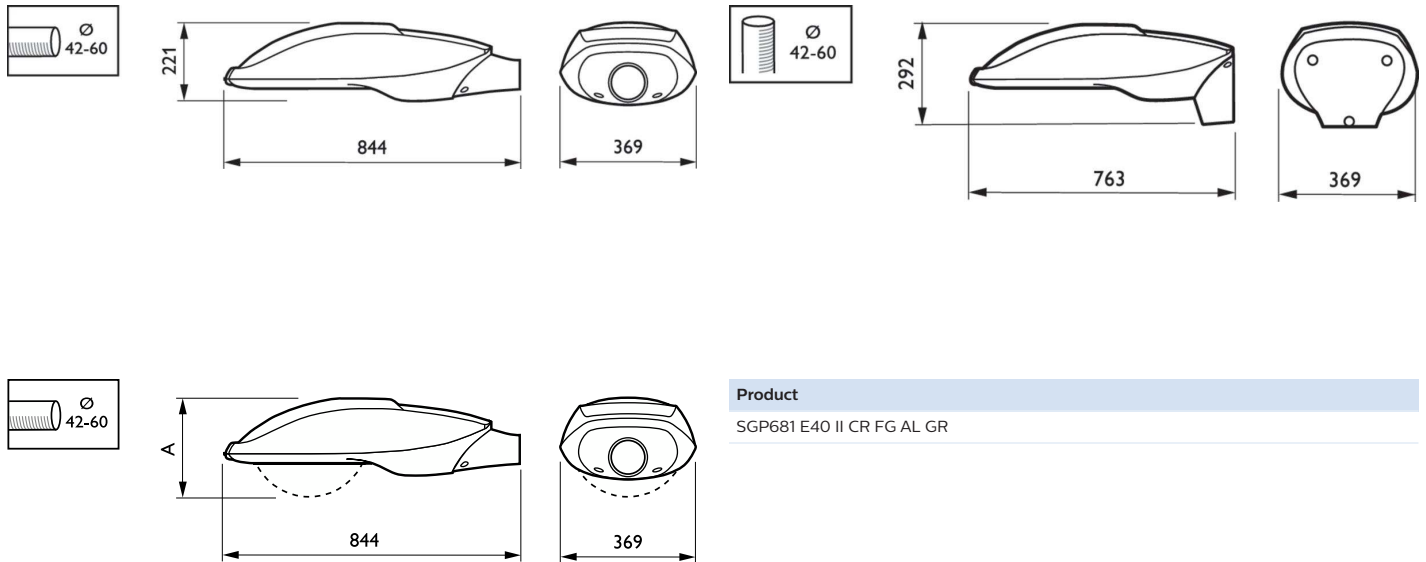
Product Data	
Order product name	SGP681 E40 II CR FG AL GR

Modena

Full product name	SGP681 E40 II CR FG AL GR
Full product code	872790060265400
Order code	60265400
Material Nr. (12NC)	910502269318
Numerator - Quantity Per Pack	1

EAN/UPC - Product/Case	8727900602654
Numerator - Packs per outer box	1
EAN/UPC - Case	8727900602654

Dimensional drawing



Product	SGP681 E40 II CR FG AL GR
---------	---------------------------

