



# eW Cove MX Powercore

## eW Cove MX Powercore, 2700 K, 125° x 120° Beam Angle, 12.5 W/ft, 305 mm (1 ft)

eW Cove MX Powercore, 2700 K, 125° x 120° Beam Angle, 12.5 W/ft, 305 mm (1 ft)

With its superior light output, wide beam angle, and range of fixed colors and color temperatures, eW Cove MX Powercore can be used for accent lighting and indirect general illumination, as well as the full range of wall and ceiling cove applications. This fixture meets or exceeds the performance of comparable linear fluorescent strip cove lights while lowering installation, energy, and maintenance costs. eW Cove MX Powercore offers environmentally conscious buyers a green, energy-efficient lighting solution without sacrificing quality or quantity of light. Integrated Powercore technology ensures rapid, efficient and accurate control of power output to the fixture directly from line voltage, eliminating the need for external power supplies. Use of standard wiring dramatically simplifies installation and helps lower total system cost.

### Product data

General information		Luminaire light beam spread	
Number of light sources	10 [ 10 pcs]	Protection class IEC	Safety class I (I)
Lamp family code	LED-HB [ LED High Brightness]	Ready-to-install	Ready-to-install
Light source colour	Warm white	Type description	No
Light source replaceable	No	CE mark	CE mark
Driver/power unit/transformer	PSR [ Power supply unit regulating]	UL mark	UL and cUL mark
Driver included	Yes	CCC mark	CCC mark
Optic type	WB [ Wide beam]		
Optical cover/lens type	PC [ Polycarbonate bowl/cover]		

# eW Cove MX Powercore

## Operating and electrical

Input Voltage	100 to 277 V
Input frequency	50 to 60 Hz

## Controls and dimming

Dimmable	Yes
----------	-----

## Mechanical and housing

Housing material	Aluminum die-cast
Optic material	Polycarbonate
Optical cover/lens material	Polycarbonate
Length	305 mm
Colour	White

## Approval and application

Ingress protection code	IP20 [ Finger-protected]
-------------------------	--------------------------

## Initial performance (IEC compliant)

Initial luminous flux (system flux)	527 lm
Initial luminous flux at colour temperature of 2,700 K	527 lm
Initial LED luminaire efficacy	43.9 lm/W
Init. Corr. Colour Temperature	2700 K
Init. Colour rendering index	82
Initial input power	12.5 W

## Over time performance (IEC compliant)

Lumen Maintenance 50% at 25 °C Calculated	100000
---	--------

Lumen Maintenance 50% at 25 °C Reported	65000
Lumen Maintenance 50% at 50 °C Calculated	100000
Lumen Maintenance 50% at 50 °C Reported	65000
Lumen Maintenance 70% at 25 °C Calculated	100000
Lumen Maintenance 70% at 25 °C Reported	65000
Lumen Maintenance 70% at 50 °C Calculated	100000
Lumen Maintenance 70% at 50 °C Reported	65000

## Application conditions

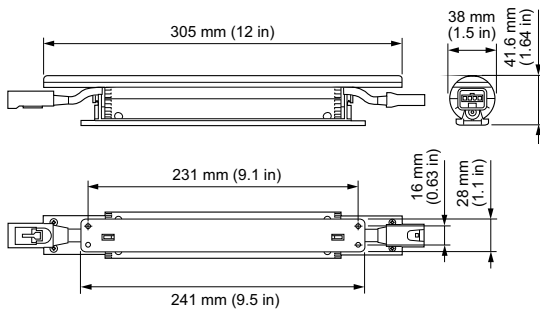
Ambient temperature range	-20 to +50 °C
Maximum dimming level	10% (depends on dimmer, ELV)
Suitable for random switching	Yes

## Product data

Full product code	871829137625599
Order product name	BCX416 10xLED-HB/2700 100-277V WB
EAN/UPC – product	8718291376255
Order code	523-000050-17
SAP numerator – quantity per pack	1
Numerator – packs per outer box	20
SAP material	910503701726
Net Weight (Piece)	0.400 kg
Commercial Code	523-000050-17
Catalogue number description	eW Cove MX Powercore, 2700 K, 125° x 120° Beam Angle, 12.5 W/ft, 305 mm (1 ft)



## Dimensional drawing



BCX416 10xLED-HB/2700 100-277V WB

