



# ArchiPoint iColor



## ArchiPoint iColor Powercore, Clear Flat Lens with Conduit Mounting Base, M25 (metric size conduit)

ArchiPoint iColor Powercore, Clear Flat Lens with Conduit Mounting Base, M25 (metric size conduit)

ArchiPoint iColour Powercore is a daylight-visible, exterior-rated LED point of light ideally suited for a range of direct-view and beacon applications, as well as for accent applications such as path and marker lighting. These versatile low-profile fixtures display large-scale video, graphics, and intricately designed dynamic effects in a host of settings, including architectural, retail, and entertainment installations. ArchiPoint iColour Powercore offers high-intensity output with the efficiency and cost-effectiveness of Powercore technology in a rugged aluminum housing. Powercore delivers line voltage and data to fixtures over a single cable, dramatically simplifying installation and lowering total system cost.

### Product data

General information		Operating and electrical	
Lamp family code	LED-HB [ LED High Brightness]	Input Voltage	100 to 240 V
Light source colour	Red, green and blue	Input frequency	50 to 60 Hz
Light source replaceable	No	Controls and dimming	
Driver included	Yes	Dimmable	No
Optical cover/lens type	CLFT [ Clear flat]	Mechanical and housing	
Protection class IEC	Safety class I	Housing material	Aluminium die-cast
CE mark	CE mark	Optic material	Polycarbonate
UL mark	UL mark	Colour	Silver
CCC mark	-		
Accessory PFC	ZCP780		

## Approval and application

Ingress protection code	IP66 [ Dust penetration-protected, jet-proof]
Energy Efficiency Class	G
Mech. impact protection code	IK10 [ 20 J vandal-resistant]
Vibration standard	Complies with ANSI C136.31, 3G
FCC mark	FCC Class A
Vibration rating	Complies with ANSI C136.31, 3G
	953157

## Initial performance (IEC compliant)

Initial luminous flux (system flux)	774 lm
Initial LED luminaire efficacy	27.4 lm/W
Initial input power	25 W

## Over time performance (IEC compliant)

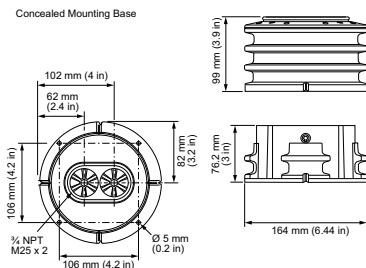
Lumen Maintenance 50% at 25 °C	100000
Reported	
Lumen Maintenance 50% at 50 °C	70000
Reported	
Lumen Maintenance 70% at 25 °C	70000
Reported	
Lumen Maintenance 70% at 50 °C	40000
Reported	

## Application conditions

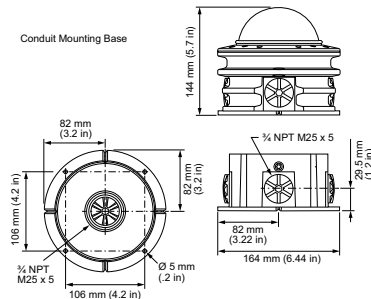
Ambient temperature range	-40 to +50 °C
<b>Product data</b>	
Full product code	871829138150199
Order product name	BCP780 LED-HB/RGB 100-240V CLFT SI CE UL
	CE UL
EAN/UPC – product	8718291381501
Order code	123-000022-01
SAP numerator – quantity per pack	1
Numerator – packs per outer box	4
SAP material	910503702580
Net Weight (Piece)	1.500 kg
Commercial Code	123-000022-01
Catalogue number description	ArchiPoint iColor Powercore, Clear Flat Lens with Conduit Mounting Base, M25 (metric size conduit)



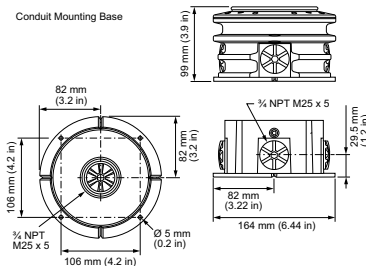
## Dimensional drawing



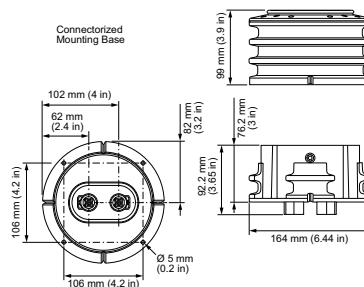
BCP780 LED-HB/RGB 100-240V CLFT SI CE UL



BCP780 LED-HB/RGB 100-240V CLFT SI CE UL

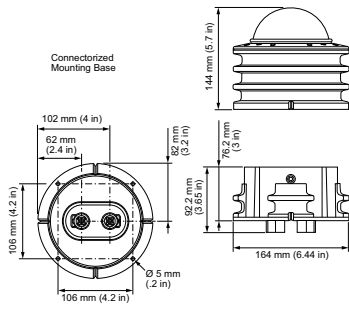


BCP780 LED-HB/RGB 100-240V CLFT SI CE UL



BCP780 LED-HB/RGB 100-240V CLFT SI CE UL

## Dimensional drawing



BCP780 LED-HB/RGB 100-240V CLFT SI CE UL

