



ColorGraze QLX Powercore

ColorGraze QLX Powercore, RGB, 9° x 9° Beam Angle, 610 mm (2 ft)

ColorGraze QLX Powercore, RGB, 9° x 9° Beam Angle, 610 mm (2 ft)

Many architectural structures need a linear fixture capable of illuminating several storeys with minimal setback and reduced power consumption. Property owners/end users need a controllable product capable of dynamic illumination to draw attention to their establishments and emphasise their brands. Graze QLX Powercore is capable of illuminating over 10 metres at very close setback distances. Powercore technology enables simple installation and long product run lengths.

Product data

General Information		Input frequency	
Lamp family code	LED-HB [LED High Brightness]	50 to 60 Hz	
Light source colour	RGB	Controls and Dimming	
Light source replaceable	No	Dimmable	Yes
Driver included	Yes	Mechanical and Housing	
Luminaire light beam spread	9° x 9°	Housing material	Extruded aluminium
Protection class IEC	Safety class I	Optic material	Polycarbonate
CE mark	CE mark	Optical cover/lens material	Polycarbonate
UL mark	UL and cUL mark	Length	609 mm
Lifetime to 70% luminous flux	100000 h	Colour	aluminium
Operating and Electrical			
Input Voltage	100 to 277 V		

ColorGraz e QLX Powercore

Approval and Application

Ingress protection code	IP66 [Dust penetration-protected, jet-proof]
Mech. impact protection code	IK10 [20 J vandal-resistant]
Vibration standard	Complies with ANSI C136.31, 3G
Vibration rating	Complies with ANSI C136.31, 3G

Initial Performance (IEC Compliant)

Initial input power	30 W
---------------------	------

Over Time Performance (IEC Compliant)

Lumen Maintenance 50% at 25 °C Calculated	100000
Lumen Maintenance 50% at 25 °C Reported	100000
Lumen Maintenance 50% at 50 °C Calculated	80000
Lumen Maintenance 50% at 50 °C Reported	80000
Lumen Maintenance 70% at 25 °C Calculated	60000
Lumen Maintenance 70% at 25 °C Reported	100000
Lumen Maintenance 70% at 50 °C Calculated	60000
Lumen Maintenance 70% at 50 °C Reported	91000

Application Conditions

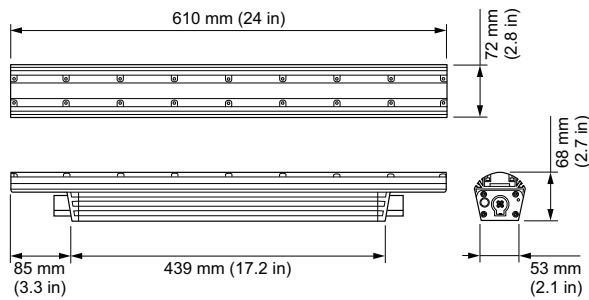
Ambient temperature range	-40 to +50 °C
---------------------------	---------------

Product Data

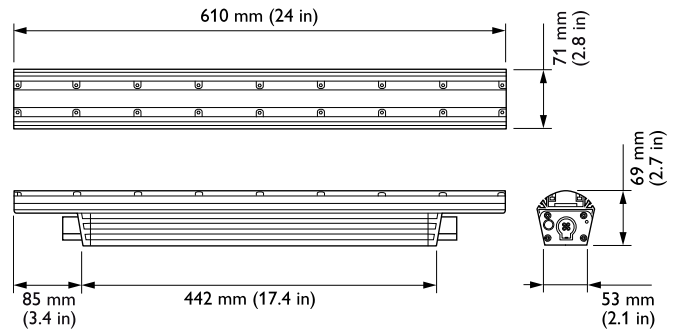
Full product code	871829160408299
Order product name	BCS467 9 RGB L609
EAN/UPC – product	8718291604082
Order code	123-000079-25
SAP numerator – quantity per pack	1
Numerator – packs per outer box	4
SAP material	910503703352
SAP net weight (piece)	2.700 kg
Commercial Code	123-000079-25
Catalogue number description	ColorGraz e QLX Powercore, RGB, 9° x 9° Beam Angle, 610 mm (2 ft)



Dimensional drawing



Graze



Graze

