



ColorGraze QLX Powercore

ColorGraze QLX Powercore, RGB, 15° x 30° Beam Angle, 914 mm (3 ft)

ColorGraze QLX Powercore, RGB, 15° x 30° Beam Angle, 914 mm (3 ft)

Many architectural structures need a linear fixture capable of illuminating several storeys with minimal setback and reduced power consumption. Property owners/end users need a controllable product capable of dynamic illumination to draw attention to their establishments and emphasise their brands. Graze QLX Powercore is capable of illuminating over 10 metres at very close setback distances. Powercore technology enables simple installation and long product run lengths.

Product data

General Information		Input frequency	
Lamp family code	LED-HB [LED High Brightness]	50 to 60 Hz	
Lamp colour code	RGB	Controls and Dimming	
Light source replaceable	No	Dimmable	Yes
Driver included	Yes	Mechanical and Housing	
Luminaire light beam spread	15° x 30°	Housing material	Aluminum extruded
Protection class IEC	Safety class I (I)	Optic material	Polycarbonate
CE mark	CE mark	Optical cover/lens material	Polycarbonate
UL mark	UL and cUL mark	Length	914 mm
Lifetime to 70% luminous flux	100000 h	Colour	aluminium
Operating and Electrical			
Input Voltage	100 to 277 V		

ColorGraze QLX Powercore

Approval and Application

Ingress protection code	IP66 [Dust penetration-protected, jet-proof]
Mech. impact protection code	IK10 [20 J vandal-resistant]
Vibration standard	Not compliant to ANSI C136.31, 3G. Special orders are available to conform to the standard. Please contact your Color Kinetics Lighting Sales rep for custom configurations.
Vibration rating	Not compliant to ANSI C136.31, 3G. Special orders are available to conform to the standard. Please contact your Color Kinetics Lighting Sales rep for custom configurations.

Initial Performance (IEC Compliant)

Initial input power	45 W
---------------------	------

Over Time Performance (IEC Compliant)

Lumen Maintenance 50% at 25 °C	100000
Calculated	
Lumen Maintenance 50% at 25 °C	100000
Reported	
Lumen Maintenance 50% at 50 °C	80000
Calculated	
Lumen Maintenance 50% at 50 °C	80000
Reported	
Lumen Maintenance 70% at 25 °C	60000
Calculated	

Lumen Maintenance 70% at 25 °C	100000
Reported	
Lumen Maintenance 70% at 50 °C	60000
Calculated	
Lumen Maintenance 70% at 50 °C	91000
Reported	

Application Conditions

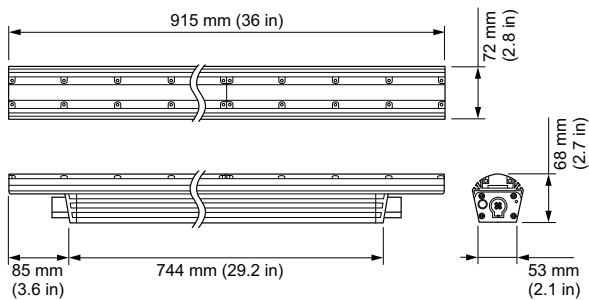
Ambient temperature range	-40 to +50 °C
---------------------------	---------------

Product Data

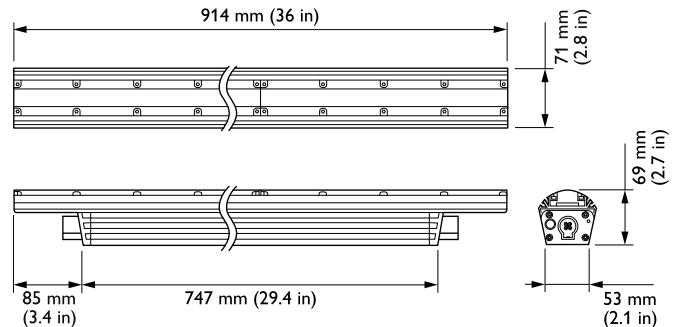
Full product code	871829160383200
Order product name	BCS467 15x30 RGB L914
EAN/UPC – product	8718291603832
Order code	123-000079-32
SAP numerator – quantity per pack	1
Numerator – packs per outer box	1
SAP material	910503703359
SAP net weight (piece)	3.800 kg
Commercial Code	123-000079-32
Commercial Code	ColorGraze QLX Powercore, RGB, 15° x 30° Beam Angle, 914 mm (3 ft)



Dimensional drawing



Graze



Graze

