



# eColor Graze MX Powercore

**eColor Graze MX Powercore, Green, 9° x 9° Beam Angle, 914 mm (3 ft)**

Green - 9° x 9° - 914 mm - Aluminium

Many architectural structures need a linear fixture capable of illuminating multiple storeys with minimal setback. Property owners/end users need a controllable product capable of dynamic illumination to draw attention to their establishments and emphasise their brands. Graze MX Powercore is capable of illuminating over 20 meters at very close setback distances. Powercore technology enables simple installation and long product run lengths.

## Product data

General Information		Controls and Dimming	
Lamp family code	LED-HB [ LED High Brightness]	Dimmable	Yes
Light source colour	Green		
Light source replaceable	No	Mechanical and Housing	
Driver included	Yes	Housing material	Extruded aluminium
Optical cover/lens type	PCC [ Polycarbonate bowl/cover clear]	Optic material	Polycarbonate
Luminaire light beam spread	9° x 9°	Optical cover/lens material	Polycarbonate
Protection class IEC	Safety class I	Length	914 mm
CE mark	CE mark	Colour	Aluminium
UL mark	UL and cUL mark		
Operating and Electrical		Approval and Application	
Input Voltage	100 to 277 V	Ingress protection code	IP66 [ Dust penetration-protected, jet-proof]
Input frequency	50 to 60 Hz	Mech. impact protection code	IK10 [ 20 J vandal-resistant]
		Vibration standard	Not compliant to ANSI C136.31, 3G. Special orders are available to conform to the standard. Please

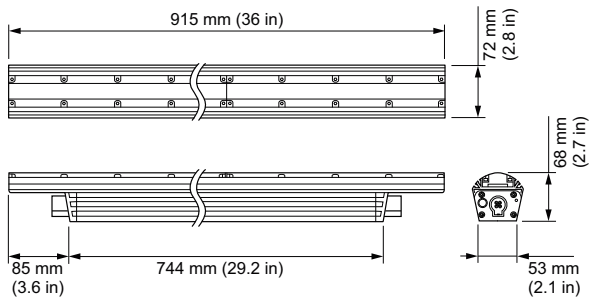
# eColor Graze MX Powercore

	contact your Color Kinetics Lighting Sales rep for custom configurations.
<b>Vibration rating</b>	Not compliant to ANSI C136.31, 3G. Special orders are available to conform to the standard. Please contact your Color Kinetics Lighting Sales rep for custom configurations.
<b>Initial Performance (IEC Compliant)</b>	
<b>Initial input power</b>	45 W
<b>Application Conditions</b>	
<b>Ambient temperature range</b>	-40 to +50 °C
<b>Product Data</b>	
<b>Full product code</b>	871829160468600

<b>Order product name</b>	BCS439 9 GN L914
<b>EAN/UPC – product</b>	8718291604686
<b>Order code</b>	223-000080-41
<b>SAP numerator – quantity per pack</b>	1
<b>Numerator – packs per outer box</b>	1
<b>SAP material</b>	910503703431
<b>Net Weight (Piece)</b>	3.800 kg
<b>Commercial Code</b>	223-000080-41
<b>Commercial Code</b>	eColor Graze MX Powercore, Green, 9° x 9° Beam Angle, 914 mm (3 ft)



## Dimensional drawing



Graze

