



eColor Graze MX Powercore

eColor Graze MX Powercore, Amber, 15° x 30° Beam Angle, 914 mm (3 ft)

Amber - 15° x 30° - 914 mm - Aluminium

Many architectural structures need a linear fixture capable of illuminating multiple storeys with minimal setback. Property owners/end users need a controllable product capable of dynamic illumination to draw attention to their establishments and emphasise their brands. Graze MX Powercore is capable of illuminating over 20 meters at very close setback distances. Powercore technology enables simple installation and long product run lengths.

Product data

General Information	
Lamp family code	LED-HB [LED High Brightness]
Light source colour	Amber
Light source replaceable	No
Driver included	Yes
Optical cover/lens type	PCC [Polycarbonate bowl/cover clear]
Luminaire light beam spread	15° x 30°
Protection class IEC	Safety class I
Glow-wire test	Temperature 850 °C, duration 5 s
CE mark	CE mark
ENEC mark	ENEC mark
UL mark	UL and cUL mark
Operating and Electrical	
Input Voltage	100 to 277 V

Input frequency	50 to 60 Hz
Controls and Dimming	
Dimmable	Yes
Mechanical and Housing	
Housing material	Extruded aluminium
Optic material	Polycarbonate
Optical cover/lens material	Polycarbonate
Length	914 mm
Colour	Aluminium
Approval and Application	
Ingress protection code	IP66 [Dust penetration-protected, jet-proof]
Mech. impact protection code	IK10 [20 J vandal-resistant]

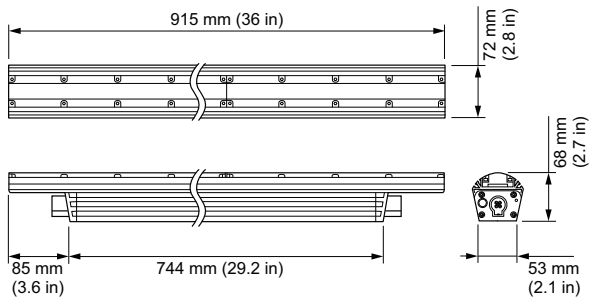
eColor Graze MX Powercore

Vibration standard	Not compliant to ANSI C136.31, 3G. Special orders are available to conform to the standard. Please contact your Color Kinetics Lighting Sales rep for custom configurations.
Vibration rating	Not compliant to ANSI C136.31, 3G. Special orders are available to conform to the standard. Please contact your Color Kinetics Lighting Sales rep for custom configurations.
Initial Performance (IEC Compliant)	
Initial input power	45 W
Application Conditions	
Ambient temperature range	-40 to +50 °C

Product Data	
Full product code	871829160478500
Order product name	BCS439 15x30 AM L914
EAN/UPC – product	8718291604785
Order code	223-000080-51
SAP numerator – quantity per pack	1
Numerator – packs per outer box	1
SAP material	910503703441
Net Weight (Piece)	3.800 kg
Commercial Code	223-000080-51
Commercial Code	eColor Graze MX Powercore, Amber, 15° x 30° Beam Angle, 914 mm (3 ft)



Dimensional drawing



Graze

