



iW Graze MX Powercore

iW Graze MX Powercore, 15° x 30° Beam Angle, 914 mm (3 ft)

iW Graze MX Powercore, 15° x 30° Beam Angle, 914 mm (3 ft)

iW Graze MX Powercore features the most light output in our line of high-performance, exterior linear luminaire designed to highlight architectural features ranging from surface textures and molding details to archways and windows. Graze Intelligent White luminaires offer channels of cool, neutral, and warm white LEDs to offer color temperatures ranging from 2700 K to 6500 K. Multiple fixture lengths, beam angles, output levels, and power consumption levels support a large range of façade or surface illumination applications. Low-profile housing, connectorized cabling, a universal power input range, and direct line voltage operation make Graze luminaires easy to install and operate.

Product data

General information	
Lamp family code	LED-HB [LED High Brightness]
Light source replaceable	No
Driver included	Yes
Luminaire light beam spread	15° x 30°
Protection class IEC	Safety class I
CE mark	CE mark
UL mark	UL and cUL mark

Operating and electrical	
Input Voltage	100 to 277 V

Input Frequency	
Input Frequency	50 to 60 Hz

Controls and dimming	
Dimmable	Yes

Mechanical and housing	
Housing Material	Aluminum extruded
Optic material	Polycarbonate
Optical cover/lens material	Polycarbonate
Length	914 mm
Color	Aluminum

iW Graze MX Powercore

Approval and application

Ingress protection code	IP66 [Dust penetration-protected, jet-proof]
Mech. impact protection code	IK10 [20 J vandal-resistant]
Vibration Standard	Not compliant to ANSI C136.31, 3G. Special orders are available to conform to the standard. Please contact your Color Kinetics Lighting Sales rep for custom configurations.
Corrosion Resistance	Complies with ASTM B117 standard with special order. Please contact your Color Kinetics Lighting Sales rep for custom configurations.
FCC mark	FCC Class A
Vibration Rating	Not compliant to ANSI C136.31, 3G. Special orders are available to conform to the standard. Please contact your Color Kinetics Lighting Sales rep for custom configurations.

Initial performance (IEC compliant)

Initial input power	60 W
----------------------------	------

Over time performance (IEC compliant)

Lumen Maintenance 50% at 25°C	60000
Reported	
Lumen Maintenance 50% at 50°C	60000
Reported	

Lumen Maintenance 70% at 25°C	60000
Reported	
Lumen Maintenance 70% at 50°C	60000
Reported	

Application conditions

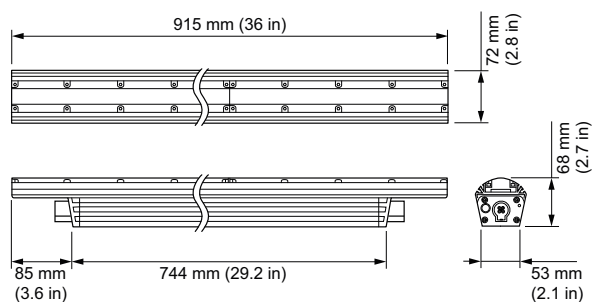
Ambient temperature range	-40 to +50 °C
----------------------------------	---------------

Product data

Full product code	871829160949000
Order product name	BCS429 15x30/2700-6500 L914
EAN/UPC - Product	8718291609490
Order code	523-000079-12
Numerator - Quantity Per Pack	1
Numerator - Packs per outer box	1
Material Nr. (12NC)	910503703656
Net Weight (Piece)	3.800 kg
Catalog Number	523-000079-12
Catalog Number Description	iW Graze MX Powercore, 15° x 30° Beam Angle, 914 mm (3 ft)



Dimensional drawing



BCS429 15x30/2700-6500 L914

