

# PHILIPS

## Lighting



# iW Graze QLX Powercore

**iW Graze QLX Powercore, 30° x 60° Beam Angle,  
305 mm (1 ft)**

iW Graze QLX Powercore, 30° x 60° Beam Angle, 305 mm (1 ft)

Many architectural structures need a linear fixture capable of illuminating several storeys with minimal setback and reduced power consumption. Property owners/end users need a controllable product capable of dynamic illumination to draw attention to their establishments and emphasize their brands. Graze QLX Powercore is capable of illuminating over 10 meters at very close setback distances. Powercore technology enables simple installation and long product run lengths.

## Product data

General Information		Controls and Dimming	
Lamp family code	LED-HB [ LED High Brightness]	Dimmable	Yes
Light source replaceable	No		
Driver included	Yes	Mechanical and Housing	
Luminaire light beam spread	30° x 60°	Length	305 mm
Protection class IEC	Safety class I (I)		
CE mark	CE mark	Approval and Application	
UL mark	UL mark	Ingress protection code	IP66 [ Dust penetration-protected, jet-proof]
Lifetime to 70% luminous flux	100000 h	Mech. impact protection code	IK10 [ 20 J vandal-resistant]
		Vibration standard	Complies with ANSI C136.31, 3G
		Vibration rating	Complies with ANSI C136.31, 3G
Operating and Electrical		Initial Performance (IEC Compliant)	
Input Voltage	100 to 277 V	Initial input power	15 W
Input frequency	50 to 60 Hz		

## iW Graze QLX Powercore

### Application Conditions

Ambient temperature range -20 to +50 °C

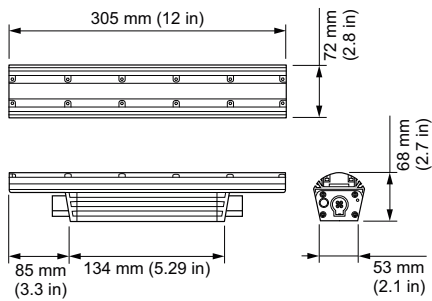
### Product Data

Full product code 871829160982799  
Order product name BCS437 30x60/2700-6500 L305  
EAN/UPC – product 8718291609827  
Order code 523-000079-23  
SAP numerator – quantity per pack 1

Numerator – packs per outer box	4
SAP material	910503703667
SAP net weight (piece)	0.345 kg
Commercial Code	523-000079-23
Catalogue number description	iW Graze QLX Powercore, 30° x 60° Beam Angle, 305 mm (1 ft)



### Dimensional drawing



Graze

