



iW Graze QLX Powercore

iW Graze QLX Powercore, 10° x 60° Beam Angle, 1219 mm (4 ft)

iW Graze QLX Powercore, 10° x 60° Beam Angle, 1219 mm (4 ft)

Many architectural structures need a linear fixture capable of illuminating several storeys with minimal setback and reduced power consumption. Property owners/end users need a controllable product capable of dynamic illumination to draw attention to their establishments and emphasize their brands. Graze QLX Powercore is capable of illuminating over 10 meters at very close setback distances. Powercore technology enables simple installation and long product run lengths.

Product data

General Information		Controls and Dimming	
Lamp family code	LED-HB [LED High Brightness]	Dimmable	Yes
Light source replaceable	No		
Driver included	Yes	Mechanical and Housing	
Luminaire light beam spread	10° x 60°	Length	1219 mm
Protection class IEC	Safety class I (I)	Approval and Application	
CE mark	CE mark	Ingress protection code	IP66 [Dust penetration-protected, jet-proof]
UL mark	UL mark	Mech. impact protection code	IK10 [20 J vandal-resistant]
Lifetime to 70% luminous flux	100000 h	Vibration standard	Not compliant to ANSI C136.31, 3G. Special orders are available to conform to the standard. Please contact your Color Kinetics Lighting Sales rep for custom configurations.
Operating and Electrical		Vibration rating	Not compliant to ANSI C136.31, 3G. Special orders are available to conform to the standard. Please
Input Voltage	100 to 277 V		
Input frequency	50 to 60 Hz		

iW Graze QLX Powercore

contact your Color Kinetics Lighting Sales rep for custom configurations.

Initial Performance (IEC Compliant)

Initial input power 60 W

Application Conditions

Ambient temperature range -20 to +50 °C

Product Data

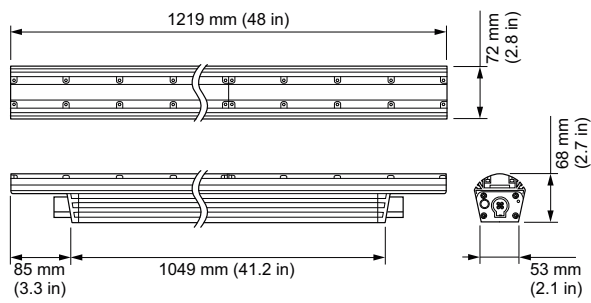
Full product code 871829160963600

Order product name BCS437 10x60/2700-6500 L1219

EAN/UPC – product	8718291609636
Order code	523-000079-36
SAP numerator – quantity per pack	1
Numerator – packs per outer box	1
SAP material	910503703680
SAP net weight (piece)	4.700 kg
Commercial Code	523-000079-36
Catalogue number description	iW Graze QLX Powercore, 10° x 60° Beam Angle, 1219 mm (4 ft)



Dimensional drawing



Graze

