



# eW Graze MX Powercore

## eW Graze MX Powercore, 2700 K, 15° x 30° Beam Angle, 305 mm (1 ft)

eW Graze MX Powercore, 2700 K, 15° x 30° Beam Angle, 305 mm (1 ft)

Many architectural structures need a linear fixture capable of illuminating multiple storeys with minimal setback. Property owners/end users need a controllable product capable of dynamic illumination to draw attention to their establishments and emphasise their brands. Graze MX Powercore is capable of illuminating over 20 meters at very close setback distances. Powercore technology enables simple installation and long product run lengths.

### Product data

General information		Operating and electrical	
Lamp family code	LED-HB [ LED High Brightness]	Input Voltage	100 to 277 V
Lamp colour code	Warm white	Input frequency	50 to 60 Hz
Light source replaceable	No	Controls and dimming	
Driver included	Yes	Dimmable	Yes
Luminaire light beam spread	15° x 30°	Mechanical and housing	
Protection class IEC	Safety class I (I)	Housing material	Aluminum extruded
CE mark	CE mark	Optical cover/lens material	Polycarbonate
UL mark	UL and cUL mark	Length	305 mm
Lifetime to 50% luminous flux	60000 h		
Lifetime to 70% luminous flux	60000 h		

# eW Graze MX Powercore

## Approval and application

Ingress protection code	IP66 [ Dust penetration-protected, jet-proof]
Mech. impact protection code	IK10 [ 20 J vandal-resistant]
Vibration standard	Complies with ANSI C136.31, 3G
Vibration rating	Complies with ANSI C136.31, 3G

## Initial performance (IEC compliant)

Initial luminous flux (system flux)	710 lm
Initial LED luminaire efficacy	46.4 lm/W
Lamp colour temperature	2700 K
Colour Rendering Index	>80
Initial input power	15 W

## Over time performance (IEC compliant)

Lumen Maintenance 50% at 25 °C Reported	60000
Lumen Maintenance 50% at 50 °C Reported	60000
Lumen Maintenance 70% at 25 °C Reported	60000
Lumen Maintenance 70% at 50 °C Reported	60000

## Application conditions

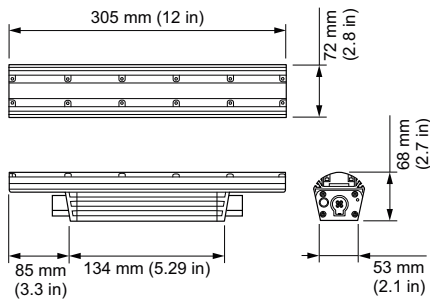
Ambient temperature range	-20 to +50 °C
---------------------------	---------------

## Product data

Full product code	871829161019999
Order product name	BCS419 15x30/2700 L305
EAN/UPC – product	8718291610199
Order code	523-000080-06
SAP numerator – quantity per pack	1
Numerator – packs per outer box	4
SAP material	910503703693
Net Weight (Piece)	1.200 kg
Commercial Code	523-000080-06
Commercial Code	eW Graze MX Powercore, 2700 K, 15° x 30° Beam Angle, 305 mm (1 ft)



## Dimensional drawing



BCS419 15x30/2700 L305

