



# eW Graze MX Powercore

## eW Graze MX Powercore, 2700 K, 10° x 60° Beam Angle, 914 mm (3 ft)

eW Graze MX Powercore, 2700 K, 10° x 60° Beam Angle, 914 mm (3 ft)

eW Graze MX Powercore is a high-performance, exterior linear luminaire that features the most light output in our line of solid white light grazing luminaires. It is designed to highlight architectural features ranging from surface textures and molding details to archways and windows. Graze Essential White luminaires offer a single channel of white light. Available in 2700 K, 3000 K, 3500 K, 4000 K, and 5500 K. Multiple luminaire lengths, beam angles, output levels, and power consumption levels support a large range of façade or surface illumination applications. Low-profile housing, connectorized cabling, a universal power input range, and direct line voltage operation make Graze luminaires easy to install and operate.

### Product data

General information		Lifetime to 70% luminous flux	
Lamp family code	LED-HB [ LED High Brightness]	60000 h	
Light source color	Warm white	Operating and electrical	
Light source replaceable	No	Input Voltage	100 to 277 V
Driver included	Yes	Input Frequency	50 to 60 Hz
Luminaire light beam spread	10° x 60°	Controls and dimming	
Protection class IEC	Safety class I	Dimmable	Yes
CE mark	CE mark		
UL mark	UL and cUL mark		

# eW Graze MX Powercore

Mechanical and housing	
Housing Material	Aluminum extruded
Optical cover/lens material	Polycarbonate
Length	914 mm
Approval and application	
Ingress protection code	IP66 [ Dust penetration-protected, jet-proof]
Mech. impact protection code	IK10 [ 20 J vandal-resistant]
Vibration Standard	Not compliant to ANSI C136.31, 3G. Special orders are available to conform to the standard. Please contact your Color Kinetics Lighting Sales rep for custom configurations.
Corrosion Resistance	Complies with ASTM B117 standard with special order. Please contact your Color Kinetics Lighting Sales rep for custom configurations.
FCC mark	FCC Class A
Vibration Rating	Not compliant to ANSI C136.31, 3G. Special orders are available to conform to the standard. Please contact your Color Kinetics Lighting Sales rep for custom configurations.

Initial performance (IEC compliant)	
Init. Corr. Color Temperature	2700 K
Initial input power	42 W

Over time performance (IEC compliant)	
Lumen Maintenance 50% at 25°C	60000
Reported	

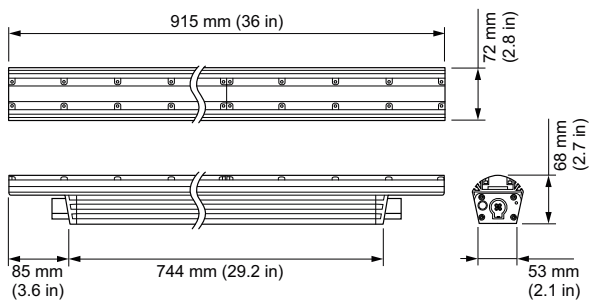
Lumen Maintenance 50% at 50°C	60000
Reported	
Lumen Maintenance 70% at 25°C	60000
Reported	
Lumen Maintenance 70% at 50°C	60000
Reported	

Application conditions	
Ambient temperature range	-20 to +50 °C

Product data	
Full product code	871829161046500
Order product name	BCS419 10x60/2700 L914
EAN/UPC - Product	8718291610465
Order code	523-000080-33
Numerator - Quantity Per Pack	1
Numerator - Packs per outer box	1
Material Nr. (12NC)	910503703721
Net Weight (Piece)	3.800 kg
Catalog Number	523-000080-33
Catalog Number Description	eW Graze MX Powercore, 2700 K, 10° x 60° Beam Angle, 914 mm (3 ft)



## Dimensional drawing



BCS419 10x60/2700 L914

