



eW Graze MX Powercore

BCS419 60x30/5500 L914

eW Graze MX Powercore, 5500 K, 60° x 30° Beam Angle, 914 mm (3 ft)

Many architectural structures need a linear fixture capable of illuminating multiple storeys with minimal setback. Property owners/end users need a controllable product capable of dynamic illumination to draw attention to their establishments and emphasize their brands. Graze MX Powercore is capable of illuminating over 20 meters at very close setback distances. Powercore technology enables simple installation and long product run lengths.

Product data

General Information		Input frequency	
Lamp family code	LED-HB [LED High Brightness]	50 to 60 Hz	
Light source colour	Neutral white	Controls and Dimming	
Light source replaceable	No	Dimmable	Yes
Driver included	Yes	Mechanical and Housing	
Luminaire light beam spread	60° x 30°	Housing material	Aluminum extruded
Protection class IEC	Safety class I (I)	Optical cover/lens material	Polycarbonate
CE mark	CE mark	Length	914 mm
UL mark	UL and cUL mark	Approval and Application	
Lifetime to 50% luminous flux	60000 h	Ingress protection code	IP66 [Dust penetration-protected, jet-proof]
Lifetime to 70% luminous flux	60000 h	Mech. impact protection code	IK10 [20 J vandal-resistant]
Operating and Electrical		Vibration standard	Not compliant to ANSI C136.31, 3G. Special orders are available to conform to the
Input Voltage	100 to 277 V		

eW Graze MX Powercore

	standard. Please contact your Color Kinetics Lighting Sales rep for custom configurations.
Vibration rating	Not compliant to ANSI C136.31, 3G. Special orders are available to conform to the standard. Please contact your Color Kinetics Lighting Sales rep for custom configurations.
Initial Performance (IEC Compliant)	
Init. Corr. Colour Temperature	5500 K
Initial input power	42 W
Over Time Performance (IEC Compliant)	
Lumen Maintenance 50% at 25 °C Reported	60000
Lumen Maintenance 50% at 50 °C Reported	60000
Lumen Maintenance 70% at 25 °C Reported	60000
Lumen Maintenance 70% at 50 °C Reported	60000

Application Conditions

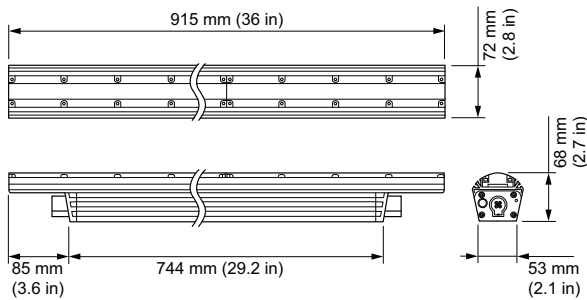
Ambient temperature range	-20 to +50 °C
---------------------------	---------------

Product Data

Full product code	871829161057100
Order product name	BCS419 60x30/5500 L914
EAN/UPC – product	8718291610571
Order code	523-000080-44
SAP numerator – quantity per pack	1
Numerator – packs per outer box	1
SAP material	910503703732
SAP net weight (piece)	3.800 kg
Commercial Code	523-000080-44
Catalogue number description	eW Graze MX Powercore, 5500 K, 60° x 30° Beam Angle, 914 mm (3 ft)



Dimensional drawing



BCS419 60x30/5500 L914

