

PHILIPS

Lighting



ColorGraze MX4 Powercore

BCS559 10x60 RGBW L914

RGBW - 10° x 60° - 914 mm

High-output luminaire for high-intensity multi-story façade and surface illumination at minimal setback; RGBW and RGBA options provide an expanded color palette and white light capability in one fixture.

Product data

General Information		Mechanical and Housing	
Lamp family code	LED-HB [LED High Brightness]	Housing Material	Aluminum extruded
Light source color	RGBW	Optic material	Polycarbonate
Light source replaceable	No	Optical cover/lens material	Polycarbonate
Driver included	Yes	Length	914 mm
Optical cover/lens type	PC [Polycarbonate bowl/cover]	Approval and Application	
Luminaire light beam spread	10° x 60°	Ingress protection code	IP66 [Dust penetration-protected, jet-proof]
Protection class IEC	Safety class I (I)	Mech. impact protection code	IK10 [20 J vandal-resistant]
CE mark	CE mark	Initial Performance (IEC Compliant)	
UL mark	UL and cUL mark	Initial luminous flux (system flux)	1857 lm
FCC mark	FCC Class A	Initial LED luminaire efficacy	34.9 lm/W
Operating and Electrical		Initial input power	55.5 W
Input Voltage	100 to 277 V	Over Time Performance (IEC Compliant)	
Input Frequency	50 to 60 Hz	Lumen Maintenance 50% at 25°C Reported	75000
Controls and Dimming		Lumen Maintenance 50% at 50°C Reported	70000
Dimmable	Yes	Lumen Maintenance 70% at 25°C Calculated	100000

ColorGraz e MX4 Powercore

Lumen Maintenance 70% at 25°C Reported	70000
Lumen Maintenance 70% at 50°C Calculated	100000
Lumen Maintenance 70% at 50°C Reported	65000

Application Conditions

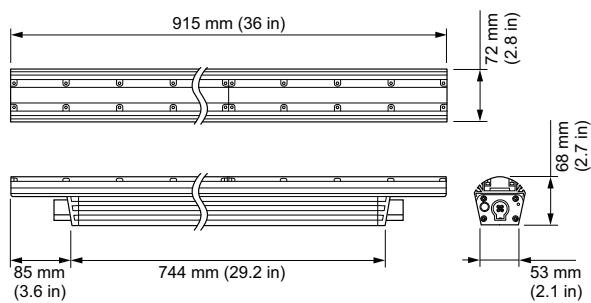
Ambient temperature range	-40 to +122 °F
---------------------------	----------------

Product Data

Full product code	871829161958100
Order product name	BCS559 10x60 RGBW L914

EAN/UPC - Product	8718291619581
Order code	910503704692
Local order code	.
Numerator - Quantity Per Pack	1
Numerator - Packs per outer box	1
Material Nr. (12NC)	910503704692
Net Weight (Piece)	3.800 kg

Dimensional drawing



Graze

