



ColorGraze MX4 Powercore

ColorGraze MX4 Powercore, RGBA, 9° x 9° Beam Angle, 305 mm (1 ft)

ColorGraze MX4 Powercore, RGBA, 9° x 9° Beam Angle, 305 mm (1 ft)

High-output luminaire for high-intensity multi-story façade and surface illumination at minimal setback; RGBW and RGBA options provide an expanded color palette and white light capability in one fixture.

Product data

General information		Controls and dimming	
Lamp family code	LED-HB [LED High Brightness]	Dimmable	Yes
Light source colour	RGBA	Mechanical and housing	
Light source replaceable	No	Housing material	Aluminum extruded
Driver included	Yes	Optic material	Polycarbonate
Optical cover/lens type	PC [Polycarbonate bowl/cover]	Optical cover/lens material	Polycarbonate
Luminaire light beam spread	9° x 9°	Length	305 mm
Protection class IEC	Safety class I (I)	Approval and application	
CE mark	CE mark	Ingress protection code	IP66 [Dust penetration-protected, jet-proof]
UL mark	UL and cUL mark	Energy Efficiency Class	G
Operating and electrical		Mech. impact protection code	IK10 [20 J vandal-resistant]
Input Voltage	100 to 277 V	Vibration standard	Complies with ANSI C136.31, 3G
Input frequency	50 to 60 Hz	FCC mark	FCC Class A

ColorGrazе MX4 Powercore

Vibration rating	Complies with ANSI C136.31, 3G
	887714

Initial performance (IEC compliant)

Initial luminous flux (system flux)	566 lm
Initial LED luminaire efficacy	31.2 lm/W
Initial input power	18.5 W

Over time performance (IEC compliant)

Lumen Maintenance 50% at 25 °C Reported	75000
Lumen Maintenance 50% at 50 °C Reported	70000
Lumen Maintenance 70% at 25 °C Calculated	100000
Lumen Maintenance 70% at 25 °C Reported	70000
Lumen Maintenance 70% at 50 °C Calculated	100000
Lumen Maintenance 70% at 50 °C Reported	65000

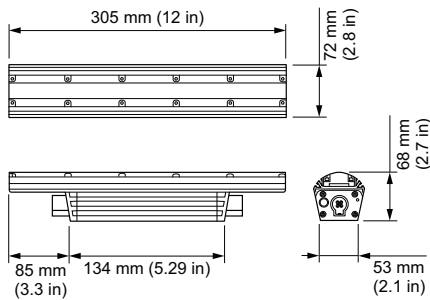
Application conditions

Ambient temperature range	-40 to +50 °C
---------------------------	---------------

Product data	
Full product code	871829161987199
Order product name	BCS559 9 RGBA L305
EAN/UPC – product	8718291619871
Order code	423-000002-00
SAP numerator – quantity per pack	1
Numerator – packs per outer box	4
SAP material	910503704702
Net Weight (Piece)	1.200 kg
Commercial Code	423-000002-00
Catalogue number description	ColorGrazе MX4 Powercore, RGBA, 9° x 9° Beam Angle, 305 mm (1 ft)



Dimensional drawing



BCS559 9 RGBA L305

