



ThinAir

SP790P 4 OLED440/829 PSD-E T1200 CR

ThinAir - OLED module - 829 warm white - Power supply unit with DALI interface external - Suspension rod, length 1200 mm - Chrome

Customers want to enhance and differentiate their interior spaces by giving them an appealing and unique ambiance. With the office-compliant ThinAir, a combination of luminaires and dedicated lighting scenarios makes it possible to tailor the form and dynamics of the lighting to the character and purpose of the space, bringing the room to life.

Product data

General Information			
Number of light sources	4 pcs		useful life (B50) value also represents the B10 value.
Lamp family code	OLED [OLED module]	Product family code	SP790P [ThinAir]
Light source color	829 warm white	Unified glare rating CEN	Not applicable
Driver/power unit/transformer	Power supply unit with DALI interface external		
Driver included	Yes	Light Technical	
Connection	Push-in connector 3-pole	Light source flux	440 lm
Protection class IEC	Safety class II	Operating and Electrical	
Mounting	Suspension rod, length 1200 mm	Input Voltage	220 to 240 V
Glow-wire test	Temperature 850 °C, duration 5 s	Input Frequency	50 to 60 Hz
Flammability mark	For mounting on normally flammable surfaces	Control signal voltage	0-16 V DC DALI
CE mark	CE mark	Controls and Dimming	
Remarks	*-Per Lighting Europe guidance paper "Evaluating performance of LED based luminaires - January 2018": statistically there is no relevant difference in lumen maintenance between B50 and for example B10. Therefore the median	Dimmable	Yes

Mechanical and Housing

Housing Material	Aluminum
Color	Chrome

Approval and Application

Ingress protection code	IP20 [Finger-protected]
Mech. impact protection code	IK02 [0.2 J standard]

Initial Performance (IEC Compliant)

Initial luminous flux (system flux)	440 lm
Luminous flux tolerance	+/-10%
Init. Corr. Color Temperature	2900 K

Application Conditions

Ambient temperature range	+10 to +40 °C
---------------------------	---------------

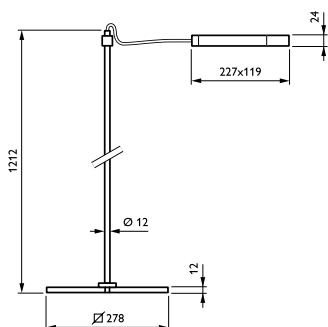
Performance ambient temperature Tq 25 °C

Maximum dim level 1%

Product Data

Full product code	871829193582700
Order product name	SP790P 4 OLED440/829 PSD-E T1200 CR
EAN/UPC - Product	8718291935827
Order code	910503706501
Numerator - Quantity Per Pack	1
Numerator - Packs per outer box	1
Material Nr. (12NC)	910503706501
Net Weight (Piece)	2.070 kg

Dimensional drawing



ThinAir SP790P

