



# SmartForm TCS460

## TCS460 2x35W/840 HFP H2L MLO-PC

SmartForm surface mnt, 2, 35 W, 840 neutral white, HF Performer, Micro-lens optic in polycarbonate cover

We all feel and perform better in a pleasant, comfortable working environment. Designed for use in offices, shops and schools, the SmartForm family of surface-mounted luminaires combines best-in-class lighting with a clean, distinctive design. These ultra-flat luminaires are available with a choice of MASTER TL5, TL5 ECO or LED light sources in rectangular and square versions with direct/indirect lighting combinations. They can also be used to form light-lines and structures. With its wide choice of very efficient and comfortable micro-optics and covers, SmartForm surface-mounted provides the ideal solution for every situation. Lighting controls can be added for further energy saving.

### Product data

General Information		Light source color	
Lamp family code	TL5 [TL5]	Light source color	840 neutral white
Gear	HFP [HF Performer]	Optic type	-
Feed-through wiring	-	Optical cover type	Micro-lens optic in polycarbonate cover
Service tag	Yes	Operating and Electrical	
Product family code	TCS460 [SmartForm surface mnt]	Input Voltage	220 to 240 V
Embedded control	-	Power Consumption	35 W
CE mark	Yes	Connection	Push-in connector 3-pole
Flammability mark	For mounting on normally flammable surfaces	Cable	-
ENEC mark	ENEC mark	Mechanical and Housing	
Glow-wire test	Temperature 850 °C, duration 5 s	Fixation point length distance (Nom)	1,355 mm
Light Technical		Housing Color	White
Number of light sources	2		

## SmartForm TCS460

Overall length	1,540 mm
----------------	----------

### Approval and Application

Ingress protection code	IP40 [Wire-protected]
Mech. impact protection code	IK07 [2 J reinforced]
Protection class IEC	Safety class I

### Application Conditions

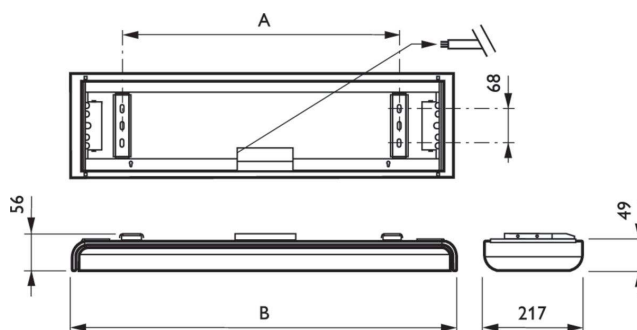
Suitable for random switching	Not applicable
-------------------------------	----------------

### Product Data

Order product name	TCS460 2x35W/840 HFP H2L MLO-PC
--------------------	---------------------------------

Full product name	TCS460 2x35W/840 HFP H2L MLO-PC
Full product code	871794390039800
Order code	910504003903
Material Nr. (12NC)	910504003903
Numerator - Quantity Per Pack	1
EAN/UPC - Product/Case	8717943900398
Numerator - Packs per outer box	1
EAN/UPC - Case	8717943900398

## Dimensional drawing



Product	A	B
TCS460 2x35W/840 HFP H2L MLO-PC	1,355 mm	1,540 mm

