



# Maxos, TL-D extended trunking

4MX056 582 M300 5x1.5 WH

MAXOS TST8, White

The extended trunking sections are made of hot-dip galvanized steel with a white or silver finish. They are available in lengths of 1 and 2 electrical units of 58 W. Extensions of 300 and 600 mm in the middle only (M), or in the middle and at the end of these trunking sections (ME), allow interrupted lines where the gaps between the electrical units correspond to the extended trunking length. The gaps can be filled by blind covers, available as accessories. A flat ribbon cable (5 wires) is integrated in the trunking and guarantees (in combination with an integrated phase selection switch and contact blocks) safe and correct cabling. For suspended light lines, the light-line sections are connected using the integrated electrical connector and a sturdy external mechanical coupling piece (accessory). Surface-mounted light lines use the same integrated electrical connector and an internal coupler (accessory). On the upper part of the trunking section, special knock-out openings enable cable entry wherever needed.

## Product data

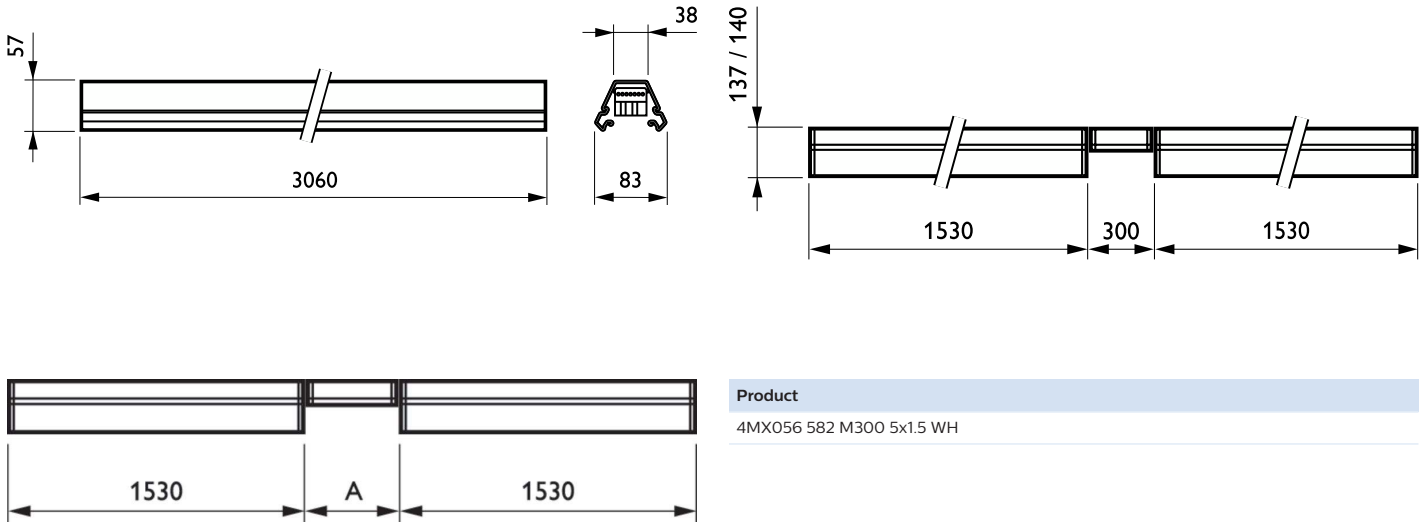
General Information		Approval and Application	
Product family code	4MX056 [MAXOS TST8]	Ingress protection code	IP20 [Finger-protected]
Flammability mark	For mounting on normally flammable surfaces	Protection class IEC	Safety class I
ENEC mark	ENEC mark		
Mechanical and Housing		Product Data	
Housing Color	White	Order product name	4MX056 582 M300 5x1.5 WH
Overall length	3,060 mm	Full product name	4MX056 582 M300 5x1.5 WH
		Full product code	403073257365399
		Order code	910610017826

## Maxos, TL-D extended trunking

Material Nr. (12NC)	910610017826
Numerator - Quantity Per Pack	1
EAN/UPC - Product/Case	4030732573653
Numerator - Packs per outer box	2

EAN/UPC - Case	4030732104741
----------------	---------------

### Dimensional drawing



Product
4MX056 582 M300 5x1.5 WH

