



ArenaVision MVF403

MVF403 MHN-SA2000W/956 A7 SI

ARENAVISION, MASTER MHN-SA, 2000 W

ArenaVision MVF403 takes sports floodlighting to the highest level, offering very high light output, optical efficiency, ease of installation, reliability and flexibility. It is ideal for indoor sports halls (1000 W version) as well as many outdoor sports and other lighting applications. The integrated system of oval optics and compact double-ended MHN-LA 1000W or MHN-SA HO 2000W lamps ensures outstanding system efficiency and low glare. A built-in reflector skirt reduces spill light and glare even further. The MHN-SA HO 2000W/956 and MHN-LA 1000W/956 lamps meet the highest international CTV requirements. With the MHN-LA 1000W/842 lamp, the natural colour rendering and comfortable atmosphere are well suited to TV and filming as well as other floodlighting applications. Hot re-strike versions are available for all lamp types, enabling immediate restoration of lighting after power supply failure. The (optional) flicker-free version of ArenaVision MVF403 MHN-LA 1000W is designed to ensure that the flicker effect is fully eliminated in order to guarantee perfect images filmed with super-slow-motion cameras at sports events. The flicker-free version of ArenaVision MVF403 comes equipped with a special electronic igniter, which works in combination with Philips' electronic ballast GearUnits (ECM330), to be ordered separately.

Product data

General Information		Light Technical	
Lamp family code	MHN-SA [MASTER MHN-SA]	Flammability mark	-
Number of gear units	-	ENEC mark	ENEC mark
Gear	-	EU RoHS compliant	Yes
Product family code	MVF403 [ARENAVISION]	Standard tilt angle post-top	-
Value ladder	Specification	Standard tilt angle side entry	-
CE mark	Yes	Correlated Colour Temperature	5600 K
Warranty period	1 years		

ArenaVision MVF403

Colour rendering index (CRI)	>90
Light source colour	956 daylight
Optical cover type	Front-glass downlighting version
Luminaire light beam spread	-
Optic type outdoor	Beam category A7

Operating and Electrical

Input Voltage	380 to 415 V
Line Frequency	50 to 60 Hz
Power Consumption	2,000 W
Connection	Screw connector
Cable	-

Temperature

Ambient temperature range	-30 to +35 °C
---------------------------	---------------

Controls and Dimming

Dimmable	No
Constant light output	No

Mechanical and Housing

Housing material	Aluminium
Reflector material	Aluminium
Optic material	Aluminium
Optical cover/lens material	-
Fixation material	Steel
Housing Colour	Aluminium
Mounting device	Mounting bracket adjustable

Optical cover/lens shape	-
Optical cover/lens finish	-
Overall height	535 mm
Effective projected area	0.19 m ²

Approval and Application

Ingress protection code	IP65 [Dust penetration-protected, jet-proof]
Mech. impact protection code	IK08 [5 J vandal-protected]
Surge Protection (Common/Differential)	-
Sustainability rating	-
Protection class IEC	Safety class I

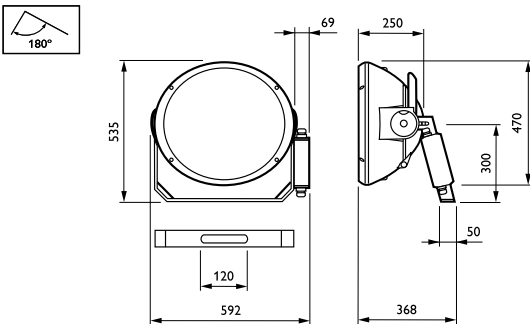
Application Conditions

Maximum dim level	Not applicable
-------------------	----------------

Product Data

Order product name	MVF403 MHN-SA2000W/956 A7 SI
Full product name	MVF403 MHN-SA2000W/956 A7 SI
Full EOC	871829106919500
Order code	06919500
Material no. (12 NC)	910925748912
SAP numerator – quantity per pack	1
EAN/UPC – Product/Case	8718291069195
Numerator – packs per outer box	1
EAN/UPC – Case	8718291069195

Dimensional drawing



ArenaVision MVF403

