



# Mini 300 LED gen2

## BVS400 GRN59-3S/740 II DM SI

Mini300 LED gen2, LED GreenLine 5900 lm, Distribution medium

With operating margins under pressure, companies are looking for ways to save energy. LED products like our Mini 300 LED gen2 luminaires are a perfect solution. Designed for petrol-station canopies and low-bay applications, these ultra-efficient retrofit fixtures offer outstanding light quality, effective thermal management, and a very long lifespan. Reduced maintenance, replacement and energy cost means a short payback period, making Mini 300 LED gen2 a shining example of how businesses can save money by opting for green products. A movement detector combined with a daylight sensor enables further energy savings. Our Mini 300 LED gen2 app gives users control in ways that are simply not possible with other luminaires – for instance, reading status and managing lighting from the floor by laptop or Smartphone via Bluetooth.

### Product data

General Information		Light Technical	
Lamp family code	GRN59 [LED GreenLine 5900 lm]	Flammability mark	-
Light source replaceable	Yes	ENEC mark	ENEC mark
Number of gear units	1 unit	Glow-wire test	Temperature 960 °C, duration 5 s
Driver included	Yes	EU RoHS compliant	No
Photocell	-		
Light source engine type	LED	Upward light output ratio	0
Product family code	BVS400 [Mini300 LED gen2]	Luminous Flux	6,200 lm
Lighting Technology	LED	Standard tilt angle posttop	0°
Embedded control	-	Standard tilt angle side entry	0°
CE mark	Yes	Correlated Color Temperature (Nom)	4000 K
Warranty period	5 years	Luminous Efficacy (rated) (Nom)	135 lm/W

## Mini 300 LED gen2

Color rendering index (CRI)	≥70
Number of light sources	48
Light source color	740 neutral white
Optical cover type	Flat glass
Luminaire light beam spread	140° x 70°
Optic type outdoor	Distribution medium

### Operating and Electrical

Input Voltage	220 to 240 V
Line Frequency	50 to 60 Hz
Inrush current	46 A
Inrush time	0.25 ms
Power Consumption	46 W
Power Factor (Fraction)	0.9
Connection	Screw connection block 2-pole
Cable	Cable 0.45 m with connector 2-pole
Number of products on MCB of 16 A type B	11

### Temperature

Ambient temperature range	-30 to +40 °C
---------------------------	---------------

### Controls and Dimming

Dimmable	No
Driver/power unit/transformer	Power supply unit regulating
Constant light output	No

### Mechanical and Housing

Housing Material	Aluminum
Reflector material	-
Optic material	Acrylate
Optical cover material	Glass
Fixation material	Steel
Housing Color	Silver
Mounting device	-
Optical cover shape	Convex lens

Optical cover finish	Clear
Overall length	440 mm
Overall width	374 mm
Overall height	96 mm
Effective projected area	0 m <sup>2</sup>
Dimensions (Height x Width x Depth)	96 x 374 x 440 mm

### Approval and Application

Ingress protection code	IP65 [Dust penetration-protected, jet-proof]
Mech. impact protection code	IK08 [5 J vandal-protected]
Surge Protection (Common/Differential)	Philips standard surge protection level
Protection class IEC	Safety class II

### Initial Performance (IEC Compliant)

Luminous flux tolerance	+/-7%
Initial chromaticity	(0.380, 0.380) SDCM <5
Power consumption tolerance	+/-10%
Init. Color Rendering Index Tolerance	+/-2

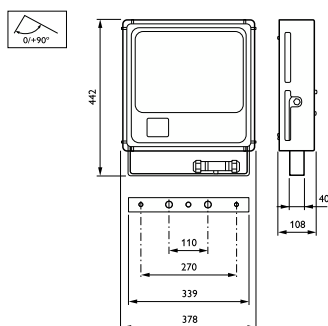
### Over Time Performance (IEC Compliant)

Driver failure rate at 5000 h	0.1 %
-------------------------------	-------

### Product Data

Order product name	BVS400 GRN59-3S/740 II DM SI
Full product name	BVS400 GRN59-3S/740 II DM SI
Full product code	871829190918700
Order code	90918700
Material Nr. (12NC)	910930205443
Numerator - Quantity Per Pack	1
EAN/UPC - Product/Case	8718291909187
Numerator - Packs per outer box	1
EAN/UPC - Case	8718291909187

## Dimensional drawing



## Mini 300 LED gen2

