



Essential SmartBright LowBay

BY088P LED40/NW OL

Essential SmartBright LowBay, 40 W, 3200 lm, 4000 K, 100°

Philips Essential SmartBright LowBay is a functional lighting by combining cost-efficiency with clean design. It offers customers all the benefits of LED lighting – reduced energy consumption, longer service time and less maintenance. Flexible, safe, and reliable, Essential SmartBright LowBay is a perfect LED replacement to conventional CFL LowBay system, allowing you to bright up your supermarkets, retail shops, and sports recreational spaces the smarter way.

Product data

General Information		Operating and Electrical	
Light source replaceable	No	Correlated Color Temperature (Nom)	4000 K
Number of gear units	1 unit	Luminous Efficacy (rated) (Nom)	80 lm/W
Driver included	Yes	Color rendering index (CRI)	≥80
Light source engine type	LED	Light source color	840 neutral white
Service tag	Yes	Optic type	Wide beam
CE mark	-	Optical cover type	Polycarbonate bowl/cover
Warranty period	1 years	Luminaire light beam spread	100°
Flammability mark	For mounting on normally flammable surfaces		
ENEC mark	-	Input Voltage	220–240 V
Glow-wire test	Temperature 650 °C, duration 5 s	Line Frequency	50 or 60 Hz
EU RoHS compliant	Yes	Inrush current	26 A
		Inrush time	134.6 ms
		Power Consumption	40 W
		Power Factor (Fraction)	0.9
		Connection	Flying leads/wires
Light Technical			
Luminous Flux	3,200 lm		

Essential SmartBright LowBay

Cable	Cable 0.3 m without plug
-------	--------------------------

Number of products on MCB of 16 A type B 74

Temperature

Ambient temperature range	-20 to +40 °C
---------------------------	---------------

Controls and Dimming

Dimmable	No
Driver/power unit/transformer	Power supply unit (On/Off)
Control interface	-
Constant light output	No

Mechanical and Housing

Housing Material	Aluminum
Reflector material	Aluminum
Optic material	Polycarbonate
Optical cover material	Polycarbonate
Fixation material	-
Housing Color	Gray and black
Optical cover finish	Frosted
Overall height	191 mm
Overall diameter	350 mm

Approval and Application

Ingress protection code	IP20 [Finger-protected]
Mech. impact protection code	IK03 [0.3 J]

Protection class IEC	Safety class I
----------------------	----------------

Initial Performance (IEC Compliant)

Luminous flux tolerance	+/-10%
Initial chromaticity	SDCM<5
Power consumption tolerance	+/-10%

Over Time Performance (IEC Compliant)

Median useful life L70B50	15,000 hour(s)
---------------------------	----------------

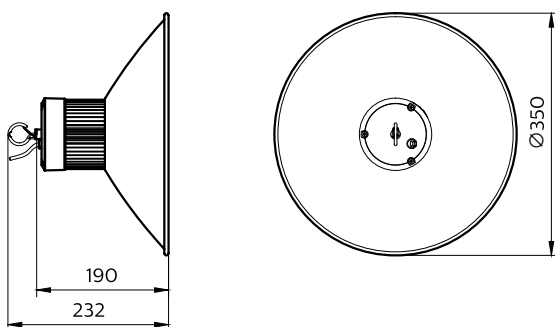
Application Conditions

Suitable for random switching	No
-------------------------------	----

Product Data

Order product name	BY088P LED40/NW OL
Full product name	BY088P LED40/NW OL
Full product code	692382862551100
Order code	911401668403
Material Nr. (12NC)	911401668403
Numerator - Quantity Per Pack	1
EAN/UPC - Product/Case	6923828625511
Numerator - Packs per outer box	1
EAN/UPC - Case	6923828625511

Dimensional drawing



Essential SmartBright LowBay

