



# Essential SmartBright LED Downlight

## DN027C LED9/WW D150

Essential SmartBright G2 LED Downlight is value for money product with high efficacy, good quality and reliability. It offers multiple configurations from 300lm to 2000lm output, to replace conventional downlight. It can be used for shopping mall, retail store, residential and office. It's an ideal product family to distribute in trade market.

### Product data

General Information	
Light source replaceable	No
Lighting Technology	LED

Light Technical	
Luminous Flux	900 lm
Correlated Color Temperature (Nom)	3000 K
Color rendering index (CRI)	80
Light source color	3000/4000/6500
Luminaire light beam spread	110°

Operating and Electrical	
Input Voltage	220 to 240 V
Line Frequency	50 or 60 Hz
Input Frequency	50 or 60 Hz
Power Consumption	11 W
Power Factor (Fraction)	0.9

Temperature	
Ambient temperature range	-20 to +40 °C

Mechanical and Housing	
Housing Material	Plastic
Reflector material	Polycarbonate
Housing Color	White
Overall length	150 mm
Overall width	175 mm
Overall height	40 mm
Overall diameter	150 mm
Dimensions (Height x Width x Depth)	40 x 175 x 150 mm

Approval and Application	
Ingress protection code	IP20 [Finger-protected]
Mech. impact protection code	IK02 [0.2 J standard]
Protection class IEC	Safety class II

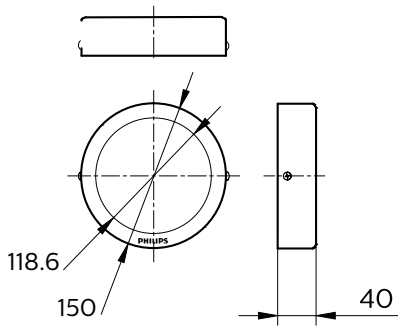
Product Data	
Order product name	DN027C LED9/WW D150

# Essential SmartBright LED Downlight

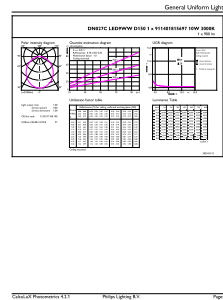
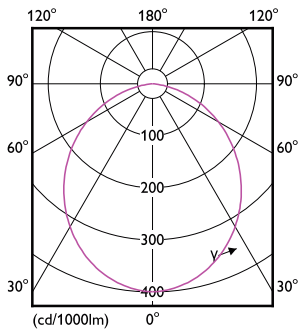
Full product name	DN027C LED9/WW D150
Full product code	871016330922499
Order code	30922499
Material Nr. (12NC)	911401815697
Numerator - Quantity Per Pack	1

EAN/UPC - Product/Case	8710163309224
Numerator - Packs per outer box	24
EAN/UPC - Case	8710163310107

## Dimensional drawing



## Photometric data



Light Distribution Diagram - DN027C LED9/WW D150

General uniform lighting - DN027C LED9/WW D150

